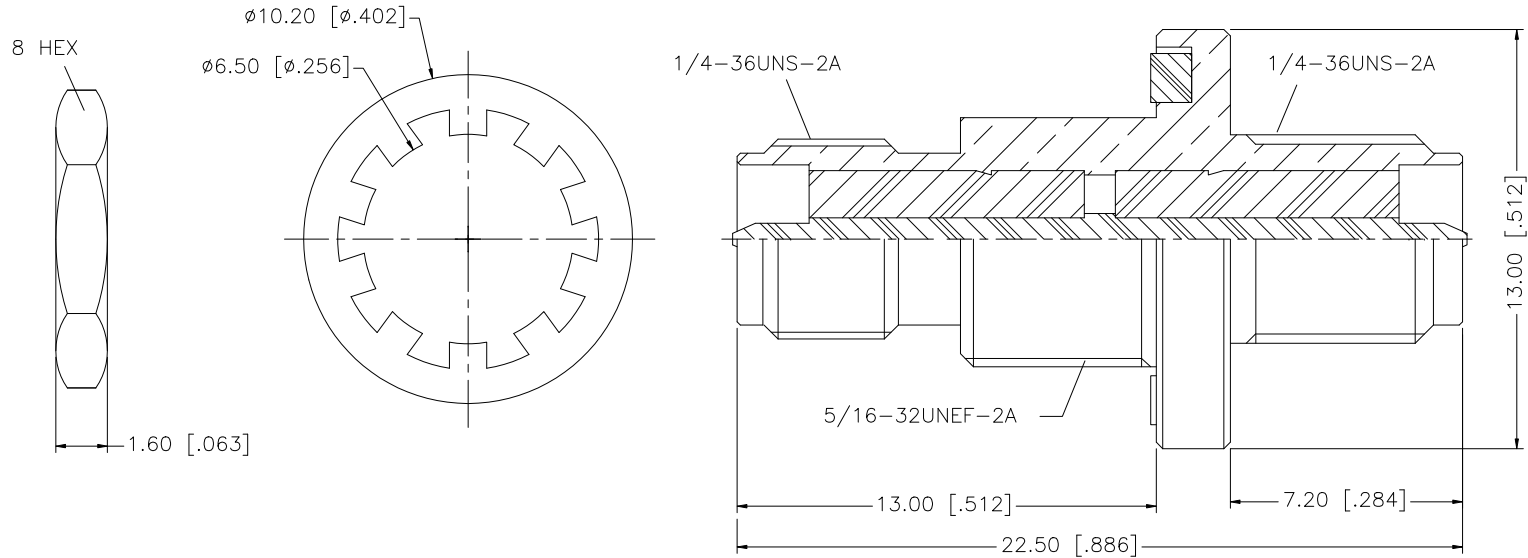


REV.	DATE	DESCRIPTION
NC	12/20/07	INITIAL RELEASE



8					UNLESS OTHERWISE SPECIFIED DIMENSIONS ARE IN MILLIMETERS. DIMENSIONS IN [] ARE IN INCHES AND FOR CUSTOMER REFERENCE ONLY.	APPROVALS	DATE	<h1 style="color: blue; margin: 0;">Amphenol Connex</h1>			
7						DRAWN G.R.S.	12/20/07				
6	HEX NUT	BRASS	GOLD	1	UNLESS OTHERWISE SPECIFIED TOLERANCES FOR MILLIMETERS ARE: 0.5 - 8mm ± 0.20mm 8 - 30mm ± 0.40mm 30 - 120mm ± 0.50mm	CHECKED			PART DESCRIPTION		
5	LOCK WASHER	BRASS	GOLD	1	UNLESS OTHERWISE SPECIFIED TOLERANCES FOR INCHES ARE: .020 - .315 = ± 0.007" .315 - 1.180 = ± 0.015" 1.180 - 4.724 = ± 0.020"	ISSUED		SMA REVERSE POLARITY BULKHEAD JACK TO JACK ADAPTER			
4	GASKET	SILICON	RED	1		SHEET 1 OF 1			PART NO.		
3	CONTACT PIN	BRASS	GOLD	1				132170-10RP-RP			
2	INSULATOR	TEFLON	NATURAL	1							
1	BODY	BRASS	GOLD	1							
	DESCRIPTION	MATERIAL	FINISH	QTY	DO NOT SCALE DRAWING	CAD FILE		DWG. NO.	REV.	SIZE	SCALE
						C:/132/132170-10RP-RP.DWG		132170-10RP-RP.DWG	NC	A	NA