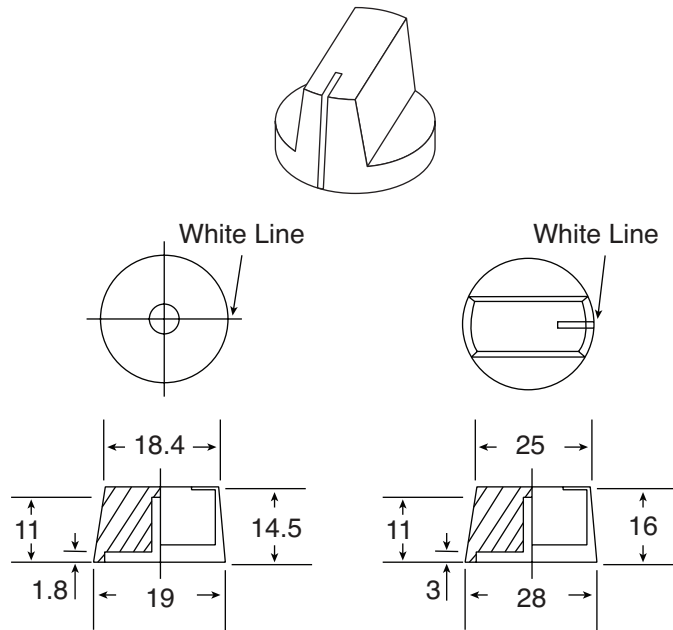


DIMENSIONS: mm



Part Number	Shaft	Mounting Style	Color	Marker Line	Dimensions
450-5100C	6.4mm	set screw	Clear	Black	19 x 14.5mm
450-5110C	T18	Knurled	Clear	Black	19 x 14.5mm
450-5120C	D		Clear	Black	19 x 14.5mm
450-5300C	6.4mm	set screw	Clear	Black	27 x 16mm
450-5310C	T18	Knurled	Clear	Black	27 x 16mm
450-5320C	D		Clear	Black	27 x 16mm