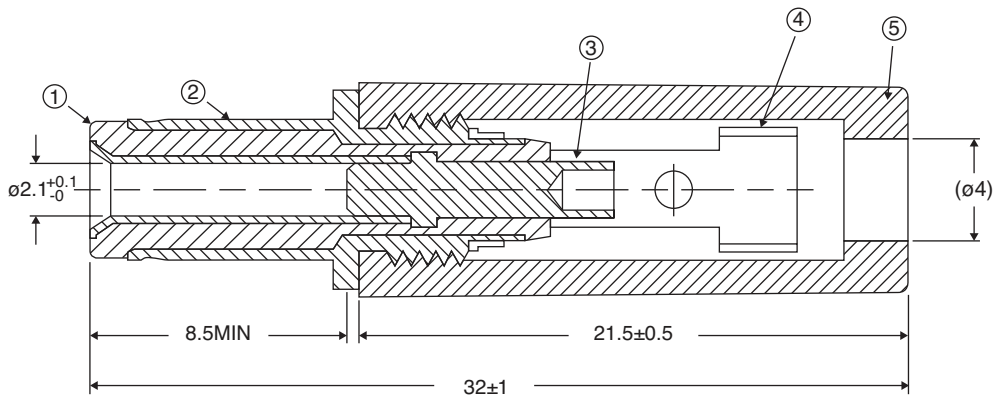
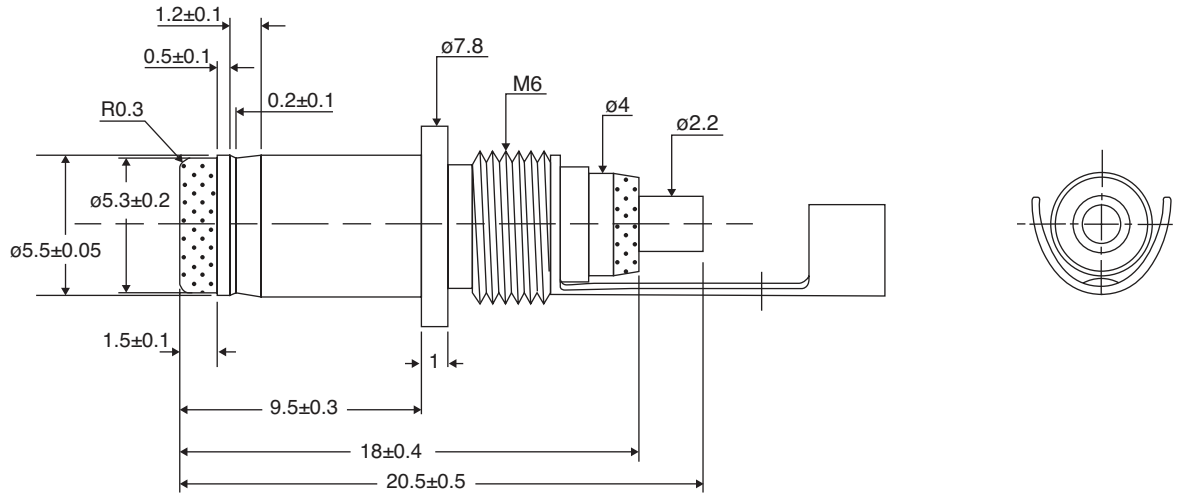


DC Power Plug

171-PA5521B-1-E



DC Power Plug



DIMENSIONS: mm

MATERIAL SPECIFICATIONS	
1:	POM Black
2:	Brass Nickel
3:	Brass Nickel
4:	Brass Nickel
5:	ABS Black
RoHS Compliant	

171-PA5521B-1-E

Date Last Revised: 05-23-12

Available from Mouser Electronics
1-800-346-6873 / www.mouser.com

KC-301417

Specifications are subject to change without notice. No liability or warranty implied by this information. Environmental compliance based on producer documentation.