

THIS DRAWING IS UNPUBLISHED.

RELEASED FOR PUBLICATION

2009

© COPYRIGHT 2009 BY -

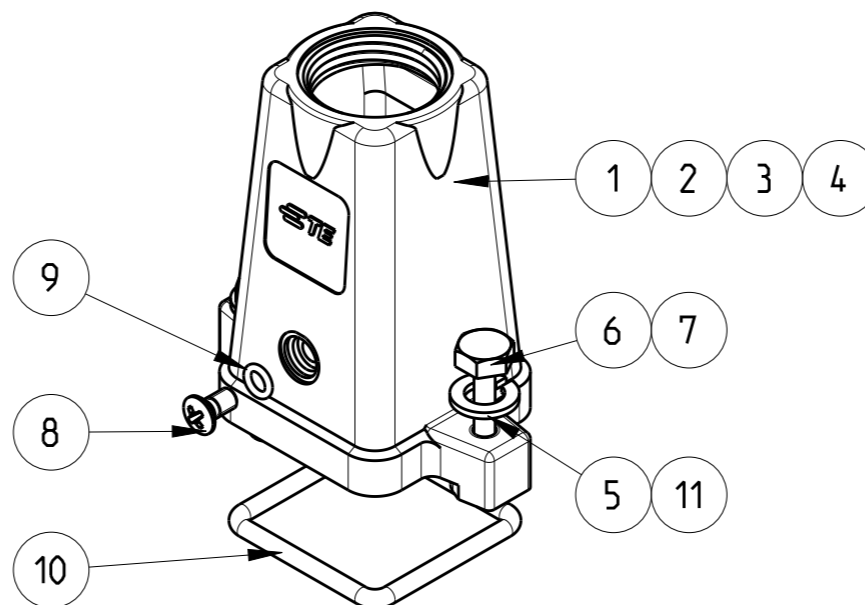
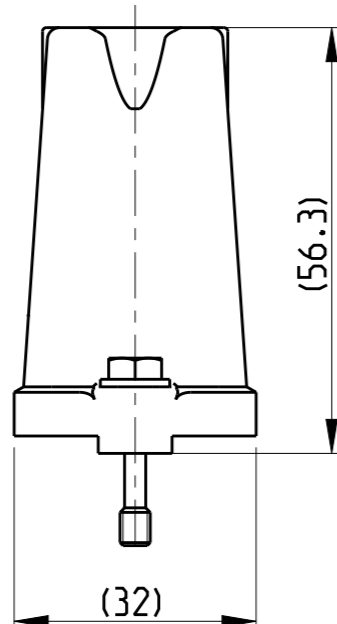
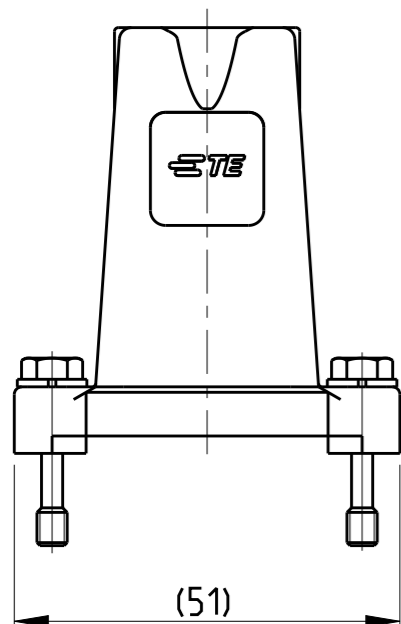
ALL RIGHTS RESERVED.

REVISIONS

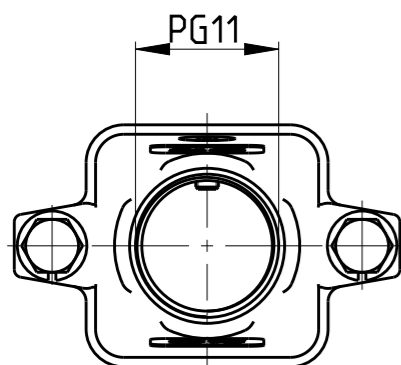
P	LTR	DESCRIPTION	DATE	DWN	APVD
A12		ECR-09-023155	22OCT2009	VG	AR
A13		ECR-10-009363	29APR2010	RO	BR
B		ECR-16-001855	29FEB2016	GCM	JB

Notes

- 1 SUITABLE HOUSINGS: SERIES EMV, SIZE 1  
CUSTOMER DRAWING 1102703, 1102702
- 2 STANDARDS: DIN EN 61984, DIN EN 60664-1
- 3 CHROMIT AL TCP PASSIVATION
- 4 TOOLS: PHILLIPS SCREWDRIVER PH1  
HEXAGON SCREWDRIVER 7mm
- 5 VARNISH ON INSIDE AREA NOT NECESSARY
- 6 PACKAGING: 10 SETS IN A CARTON, PRE-MOUNTED



PN 0-3 AS SHOWN



PART NO.	ORDERING TEXT
0-1102700-5	EMV-K.3/4.STO.1.11.G
0-1102700-4	EMV.3/4.STO.1.11.G
0-1102700-1	EMV-K.3/4.STO.1.11.G
4-1102700-5	EMV.3/4.STO.1.11.G
3-1102700-5	EMV-K.3/4.STO.1.11.G

PN/QTY	DESCRIPTION	MATERIAL	COLOR/SURFACE	NOTE	ITEM
2 2 2 - -	WASHER, PLAIN	STAINL. STEEL	BLANK	A4, DIN EN ISO 7989, 200HV (V4A)	11
- - - - -	O-RING	FKM	BLACK	28x2.5 din 3771	10
1 1 1 1 1	O - RING	NBR	BLACK	3.0x1.0	9
1 1 1 1 1	SREW COUNTERSUNK RAISED HEAD	STAINL. STEEL	V2A	M3x6 PH1 DIN EN ISO 7047	8
2 2 2 - -	SCREW, HEXAGON BOLT	STAINL. STEEL	BLANK	M4x22 DIN EN ISO 7964, RED. SHUNK (V4A)	7
- - - 2 2	SCREW, HEXAGON BOLT	STAINL. STEEL	BLANK	M4x22 DIN EN ISO 7964, REDUCED SHUNK	6
- - - 2 2	WASHER, PLAIN	STAINL. STEEL	BLANK	A4, DIN EN ISO 7989, 200HV	5
- - - - -	CONNECTOR HOUSING	ALU ALLOY	BLACK	3 SERIES EMV-K WE LOGO	4
- - 1 - -	CONNECTOR HOUSING	ALU ALLOY	SILVER	3 SERIES EMV-K	3
1 - - 1 -	CONNECTOR HOUSING	ALU ALLOY	BLACK	3 SERIES EMV-K	2
- 1 - - 1	CONNECTOR HOUSING	ALU ALLOY	GREY	SERIES EMV	1

PARTS LIST (PER ONE UNIT)

THIS DRAWING IS A CONTROLLED DOCUMENT.

DIMENSIONS: mm	TOLERANCES UNLESS OTHERWISE SPECIFIED:
	0 PLC ±
	1 PLC ±
	2 PLC ±
	3 PLC ±
	4 PLC ±
	ANGLES ±°
MATERIAL	FINISH
-	-

DWN	V.GLUMM	18AUG2009
CHK	H.Braun	18AUG2009
APVD	T.Schnurpfel	18AUG2009
PRODUCT SPEC	108-74036	
APPLICATION SPEC	114-74017	
WEIGHT	-	
CUSTOMER DRAWING		

**STE** TE Connectivity

NAME  
**CONNECTOR HOUSING ASS'Y, TOP ENTRY  
SERIES EMV, SIZE 1  
STEEL CONDUIT THREAD**

SIZE	CAGE CODE	DRAWING NO	RESTRICTED TO
A3	00779	C-1102700	-

SCALE 1:1 SHEET 1 OF 1 REV B