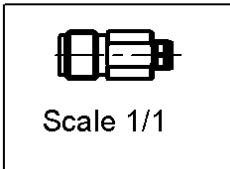
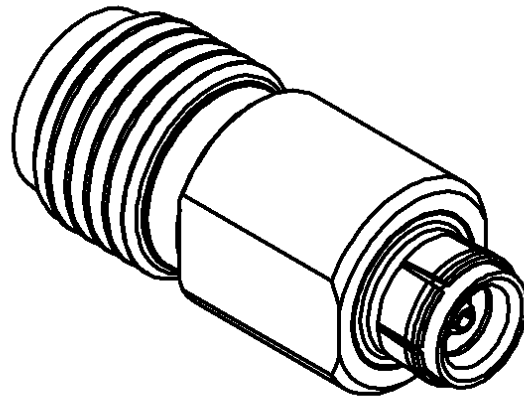
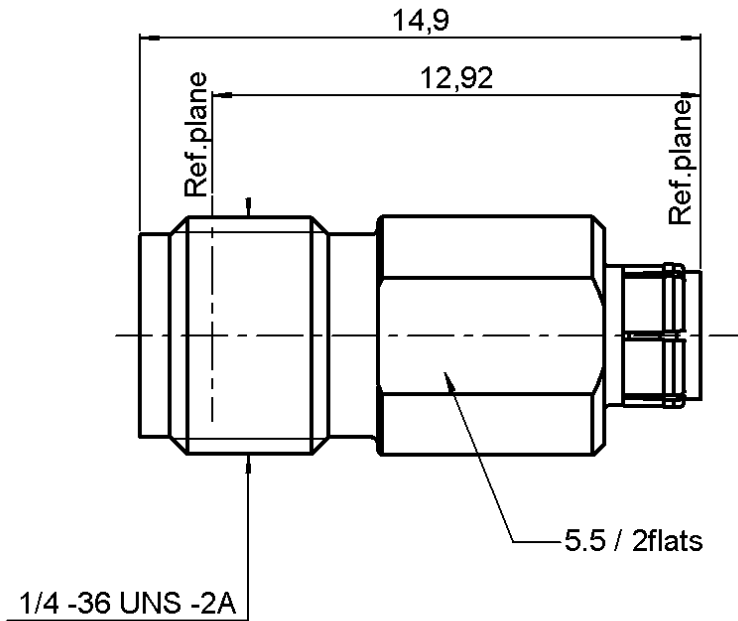


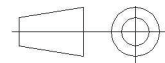
SMA FEMALE - MMBX MALE STRAIGHT ADAPTER

R191.389.200

Series : ADAPT



All dimensions are in mm.



COMPONENTS	MATERIALS	PLATINGS (µm)
BODY	BERYLLIUM COPPER	GOLD 0.2 OVER NON MAGN NICKEL 2
CENTER CONTACT	BERYLLIUM COPPER	GOLD 1.3 OVER NICKEL 2
OUTER CONTACT	BERYLLIUM COPPER	GOLD 0.2 OVER NON MAGN NICKEL 2
INSULATOR	PTFE	
GASKET		
OTHERS PARTS		
-	-	-
-	-	-

Issue : 0416 A

In the effort to improve our products, we reserve the right to make changes judged to be necessary.



SMA FEMALE - MMBX MALE STRAIGHT ADAPTER

R191.389.200

Series : ADAPT

PACKAGING

SPECIFICATION

Standard	Unit	Other
1	-	Contact us

ELECTRICAL CHARACTERISTICS

ENVIRONMENTAL

Impedance **50** Ω
 Frequency **0-12.4** GHz
 VSWR **1.083*** + **0.000** x F(GHz) Maxi
 Insertion loss **0.12** √F(GHz) dB Maxi
 RF leakage - (**100**** - F(GHz)) dB Maxi
 Voltage rating **330** Veff Maxi
 Dielectric withstanding voltage **500** Veff mini
 Insulation resistance **1000** MΩ mini

Operating temperature **-55/+155°** ° C
 Hermetic seal **NA** Atm.cm3/s
 Panel leakage **NA**

OTHERS CHARACTERISTICS

Assembly instruction **NA**

Others :
 * to 6 GHz
 ** Interface MMBX only up to 2.5GHz

MECHANICAL CHARACTERISTICS

Center contact retention
 Axial force – Mating end **10** N mini
 Axial force – Opposite end **10** N mini
 Torque **NA** N.cm mini

Recommended torque
 Mating **NA** N.cm
 Panel nut **NA** N.cm

Mating life **500** Cycles mini
 Weight **1.977** g

Issue : 0416 A

In the effort to improve our products, we reserve the right to make changes judged to be necessary.

