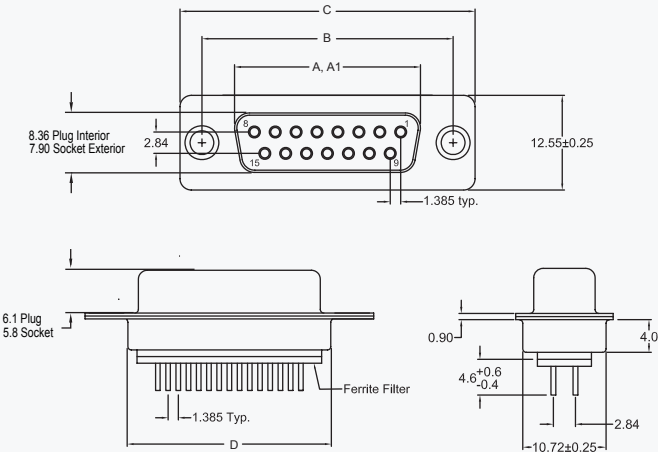


**D-SUBMINIATURE CONNECTORS:**  
**KF85X Series**  
 Vertical PCB Mount Low Profile with Ferrite

**KF85X Series Dimensions**  
 Dimensions in mm



**Ferrite Specifications**

Test Frequency	Edge Hole	Inner Hole
30 Mhz	10-14 Ohms	13-17 Ohms
50 Mhz	12-18 Ohms	15-19 Ohms
100 Mhz	15-20 Ohms	19-24 Ohms

Number of Contacts (Shell Size)	Dimensions (Inch/mm)				
	A	A1	B	C	D
9 (E)	.643 16.33	.666 16.92	.984 24.99	1.213 30.81	.755 19.18
15 (A)	.971 24.66	.994 25.25	1.312 33.32	1.541 39.14	1.083 27.51
25 (B)	1.511 38.38	1.534 38.96	1.852 47.04	2.088 53.04	1.614 41.00
37 (C)	2.159 54.84	2.182 55.42	2.500 63.50	2.729 69.32	2.272 57.30

A = Exterior of Female Shell (S)  
 A1 = Interior of Male Shell (P)

2D Drawing	IGES	STEP	3D PDF
Solder Profile	CofC RoHS Compliant	CofC REACH Compliant	UL Plastic File
Certificate of Origin	Check Stock	Request a Sample	Send Us An Email

Generated Part Number

Part Number Builder

Series - Shell Type - Pin Type - Contact Option - Contact Type - Mounting Option - Plating Option

**Series**

**KF85X** - D-Subminiature Connector Vertical PCB Termination, High Profile with Ferrite

**Contact Shell Size**

- E - 9 Contacts
- A - 15 Contacts
- B - 25 Contacts
- C - 37 Contacts

**Contact Construction, Pin Type**

- D - Precision Formed

**Contact Type**

- P - Pin Contact (Plug)
- S - Socket Contact (Receptacle)

**Mounting Option**

- Blank - Through Hole
- BR - With #4-40 Tin Plated 11.00mm Long Boardlocks
- BRJ - With #4-40 Tin Plated 11.00mm Long Boardlocks and #4-40 Jackscrews
- K - With #4-40 Bushings
- KJ - With #4-40 Bushings and #4-40 Jackscrews

**Plating Option**

- Blank - Gold Flash
- 30 - 30µ" Gold

Contact Kycon for Other Options