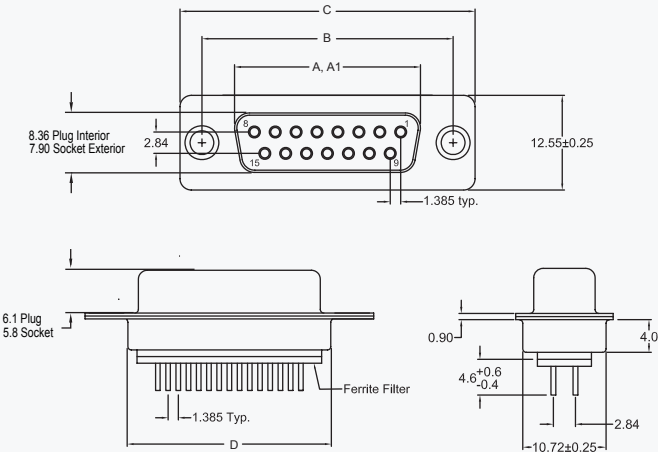


D-SUBMINIATURE CONNECTORS:
KF85X Series
 Vertical PCB Mount Low Profile with Ferrite

KF85X Series Dimensions
 Dimensions in mm



Ferrite Specifications

Test Frequency	Edge Hole	Inner Hole
30 Mhz	10-14 Ohms	13-17 Ohms
50 Mhz	12-18 Ohms	15-19 Ohms
100 Mhz	15-20 Ohms	19-24 Ohms

Number of Contacts (Shell Size)	Dimensions (Inch/mm)				
	A	A1	B	C	D
9 (E)	.643 16.33	.666 16.92	.984 24.99	1.213 30.81	.755 19.18
15 (A)	.971 24.66	.994 25.25	1.312 33.32	1.541 39.14	1.083 27.51
25 (B)	1.511 38.38	1.534 38.96	1.852 47.04	2.088 53.04	1.614 41.00
37 (C)	2.159 54.84	2.182 55.42	2.500 63.50	2.729 69.32	2.272 57.30

A = Exterior of Female Shell (S)
 A1 = Interior of Male Shell (P)

2D Drawing	IGES	STEP	3D PDF
Solder Profile	CofC RoHS Compliant	CofC REACH Compliant	UL Plastic File
Certificate of Origin	Check Stock	Request a Sample	Send Us An Email

Generated Part Number

Part Number Builder

Series - Shell Type - Pin Type - Contact Option - Contact Type - Mounting Option - Plating Option

Series

KF85X - D-Subminiature Connector Vertical PCB Termination, High Profile with Ferrite

Contact Shell Size

- E - 9 Contacts
- A - 15 Contacts
- B - 25 Contacts
- C - 37 Contacts

Contact Construction, Pin Type

- D - Precision Formed

Contact Type

- P - Pin Contact (Plug)
- S - Socket Contact (Receptacle)

Mounting Option

- Blank - Through Hole
- BR - With #4-40 Tin Plated 11.00mm Long Boardlocks
- BRJ - With #4-40 Tin Plated 11.00mm Long Boardlocks and #4-40 Jackscrews
- K - With #4-40 Bushings
- KJ - With #4-40 Bushings and #4-40 Jackscrews

Plating Option

- Blank - Gold Flash
- 30 - 30µ" Gold

Contact Kycon for Other Options