

CASE FINISH	CURRENT (AMPS)	WORKING VOLTAGE				MAXIMUM DC RESISTANCE (OHMS)	MAXIMUM VOLTAGE DROP		MINIMUM CAPACITANCE (uF)	MIN. INSERTION LOSS PER MIL-STD-220 FULL LOAD, +25°C												
		-55°C TO +85°C		-55°C TO +125°C			DC	AC		14	30	50	75	100	150	300	500	1	10	100	1	10
		AC	DC	AC	DC					KHz	KHz	KHz	KHz	KHz	KHz	KHz	KHz	MHz	MHz	MHz	GHz	GHz
SOLDER	3	---	150	---	100	0.06	0.18	---	1.0	--	--	--	--	5	16	41	--	75	80	--	80	--

PART MARKING:

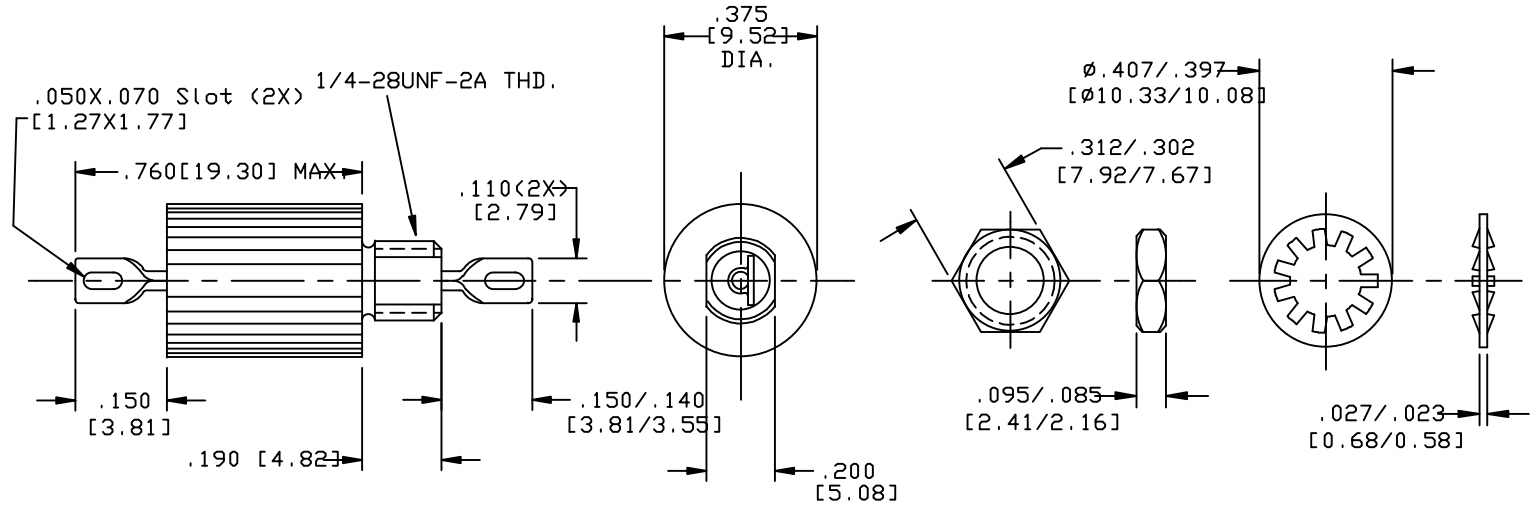
9001-100-1015
SCI DATE CODE

PACKAGE MARKING:

STANDARD

MARKING NOTES:

N/A



SCHEMATIC



MTG. HARDWARE

NOTES:

1) MOUNTING TORQUE NOT TO EXCEED 7 in-lbs.

REV	CHANGE	NOTICE	NO.	UNLESS OTHERWISE SPECIFIED	TOLERANCES UNLESS OTHERWISE SPECIFIED	ERIE, FAIRVIEW PENNSYLVANIA	
02				DIMENSIONS ARE IN INCHES. [MILLIMETERS] DO NOT SCALE.	Fract ⁿ s	SPECTRUM CONTROL INC. Dwn KAUFFMAN Ckd. 11-5-96 Description Pass EMI Filter	
01			Dec. .xx±		Code Ident. No. DLSP2		9001-100-1015
00			Angles ±0° 30'		Sheet 1 of 1		

Quality Products From The Specialists In Electro-Magnetic Compatibility