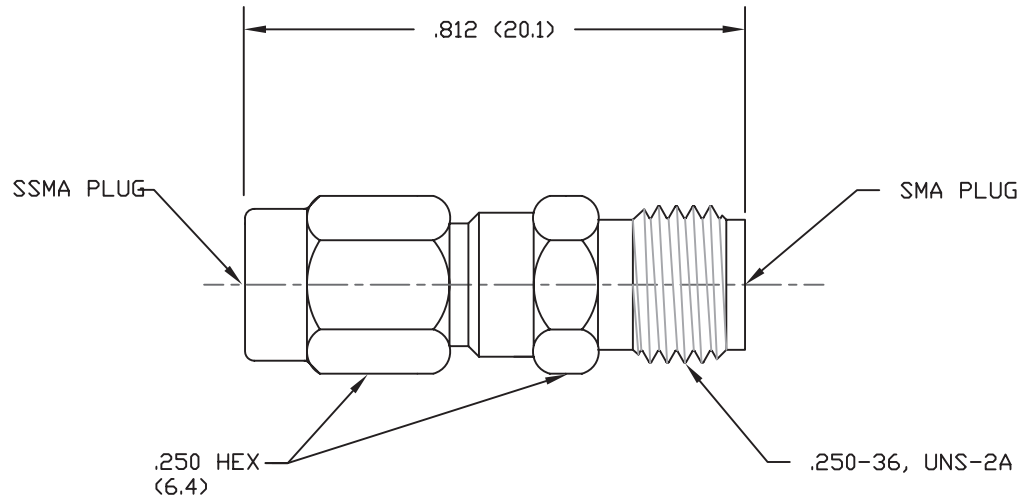


NOTES:

- 1.0 MATERIALS:
 - 1.1 HOUSING AND COUPLING NUT: STAINLESS STEEL PER QQ-S-764 AND ASTM-A-582, TYPE 303.
 - 1.2 CENTER CONTACT: BERYLLIUM COPPER ROD ALLOY C172, PER QQ-C-530.
 - 1.3 DIELECTRIC: PTFE FLUOROCARBON PER MIL-P-19468 AND L-P-403
- 2.0 PLATING:
 - 2.1 HOUSING AND COUPLING NUT: PASSIVATED PER QQ-P-35 AND MIL-F-14072.
 - 2.2 CENTER CONTACT: GOLD PER MIL-G-45204 TYPE II, CLASS 2
- 3.0 MECHANICAL:
 - 3.1 INTERFACE DIMENSIONS PER MIL-STD-348 FIGS 310-2 AND 319-1
 - 3.2 CENTER CONTACT CAPTURED IN ACCORDANCE MIL-A-55339
- 4.0 DIMENSIONS IN PARENTHESIS ARE MILLIMETERS.
- 5.0 MAX V.S.W.R.:
 - DC-12.4GHZ: 1.06+.009F GHZ
 - 12.4-25.0GHZ: 1.05+.01F GHZ

ALL OTHER MECHANICAL, ELECTRICAL, AND ENVIRONMENTAL CHARACTERISTICS ARE IN ACCORDANCE WITH MIL-A-55339



REV.	DESCRIPTION	DATE
-	RELEASED	2/25/91
-1	ADDED TITLEBLOCK	3/15/05

UNLESS OTHERWISE NOTED DIMENSIONS ARE IN INCHES AND TOLERANCES ARE:		FSCM NO. 34078		MIDWEST MICROWAVE	
3 PLACE DECIMALS ±.005		NOTICE: The information contained in this drawing is proprietary and must not be used without the permission of Midwest Microwave		TITLE ADAPTER SSMA MALE TO SMA FEMALE OUTLINE DRAWING	
2 PLACE DECIMALS ±.02				DRAWING NUMBER ADT-2697-SF-SSM-02-01	
FRACTIONS ±1/64				REV. -1	
PARALLELITY: T.I.R. _____				SCALE: 5=1 SHEET 1 of 1	
FLATNESS: T.I.R. _____		DRAWN/DATE R.FAWSON 2/21/91	ENG./DATE R.FAWSON 2/22/91		
CONCENTRICITY: T.I.R. _____		CHECKED/DATE A.BEATTY 2/22/91	APPROVED/DATE T.GORDON 2/22/91		
ANGLES AND PERPENDICULARITY: ±1°					