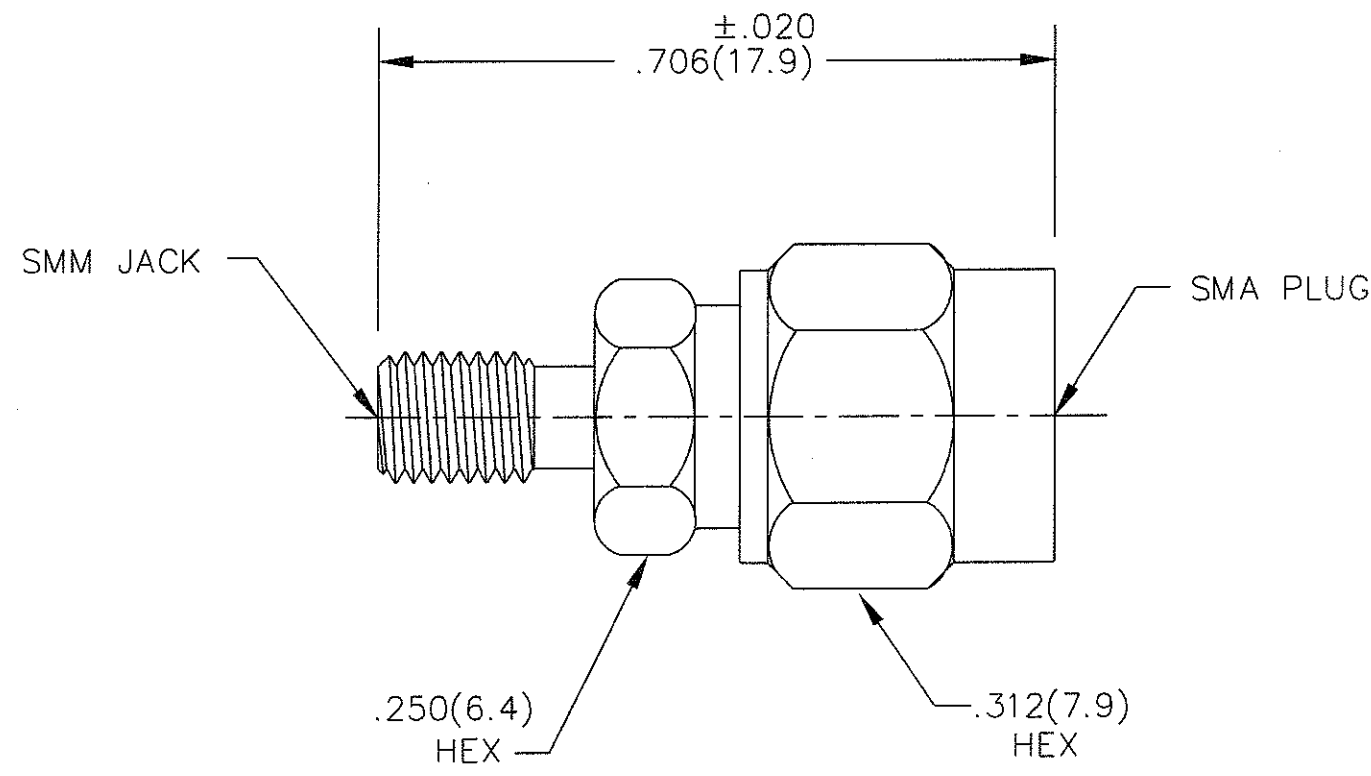


NOTES:

- 1.0 MATERIALS:
  - 1.1 HOUSING & NUT: STAINLESS STEEL PER ASTM-A582, TYPE 303.
  - 1.2 CENTER CONTACT: BERYLLIUM COPPER ROD ALLOY C172, PER ASTM-B196.
  - 1.3 DIELECTRIC: PTFE FLUOROCARBON PER ASTM-D1457.
- 2.0 PLATING:
  - 2.1 HOUSING & NUT: PASSIVATED PER MIL-F-14072 AND QQ-P-35
  - 2.2 CENTER CONTACT: GOLD PER MIL-G-45204, TYPE II, CLASS 2.
- 3.0 MECHANICAL:
  - 3.1 INTERFACE DIMENSIONS PER MIL-STD-348 FIGS 310-1 AND SMM JACK
  - 3.2 CENTER CONTACT CAPTURED IN ACCORDANCE MIL-A-55339
- 4.0 DIMENSIONS IN PARENTHESIS ARE MILLIMETERS.
- 5.0 MAX V.S.W.R.:
  - DC to 12.4 GHz: 1.06+.009f(GHz)
  - 12.4 to 25.0 GHz: 1.05+.01f(GHz)

ALL OTHER MECHANICAL, ELECTRICAL, AND ENVIRONMENTAL CHARACTERISTICS ARE IN ACCORDANCE WITH MIL-A-55339



DATE	3/24/95	3/17/05
DESCRIPTION	RELEASED	ADDED TITLEBLOCK
REV.	-	-1

UNLESS OTHERWISE NOTED DIMENSIONS ARE IN INCHES AND TOLERANCES ARE:  3 PLACE DECIMALS ±.005 2 PLACE DECIMALS ±.02 FRACTIONS ±1/64 PARALLELITY: T.I.R. _____ FLATNESS: T.I.R. _____ CONCENTRICITY: T.I.R. _____ ANGLES AND PERPENDICULARITY: ±1°	FSCM NO. <b>34078</b>	<b>MIDWEST MICROWAVE</b>		
	NOTICE: The information contained in this drawing is proprietary and must not be used without the permission of Midwest Microwave		TITLE ADAPTER SMM JACK to SMA PLUG	
	DRAWN/DATE A.BEATTY 3/21/95	ENG./DATE A.OSGA 3/24/95	DRAWING NUMBER ADT-2846-SM-MMF-02	
	CHECKED/DATE P.GOODMAN 3/23/95	APPROVED/DATE	SCALE: 5=1	SHEET 1 of 1