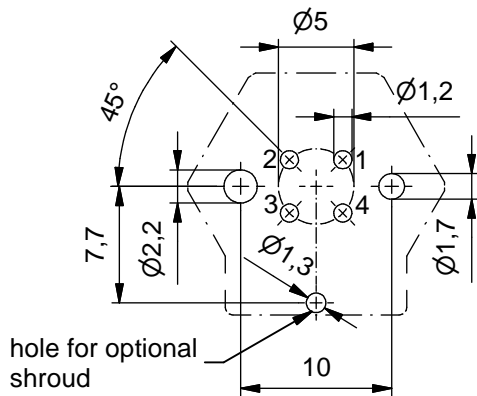
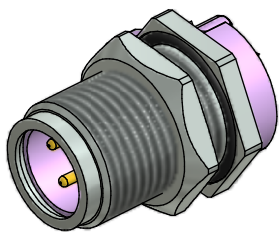


Pin Layout
PCB 1,60mm



hole for optional shroud



Technical specification:

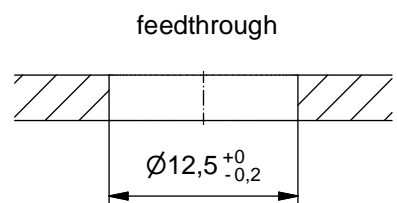
Rated voltage: IEC 61076-2-101	250 V
Current rating: IEC 61076-2-101	4 A at 40°C
Insulation resistance: IEC 60512-2	>=100 MΩ
Pollution degree: IEC 60664-1	3/2
Degree of protection: IEC 60529	IP 67, in mated condition
Temperature range: IEC 60664-1	-30°C ... +85°C
Mating cycles: IEC 60512-9a	>=100

Materials:

Contact:	CuZn
Contact plating:	Nickel, gold plated
Contact carrier:	PA 6.6, UL 94
Sealing:	FPM
Socket housing:	CuZn, nickel plated
Shroud:	Spring steel
-plating:	Tin plated

Installation specification:

recommended torque:	0,8-1 Nm
Conec installation tool:	Torque wrench: 36-000200 Insert across flats 15: 36-000320



Part no:	Description:	Pos	Note:
43-01219	SAL - 12B - FSH4 - X5,5	4	with shroud

DO NOT ALTER CAD DRAWING BY HAND Directive 2002/95/EC RoHS compliant	Index: b 13.07.11 fro Ä3914 Data sheet revised, technical specification changed		dim. in mm	title: Male socket M12x1 axial, profibus DP, backmounting, dip solder, X5,5	
					date name
			drawn 27.11.07 Fromm		dwg no: 43K1A533
			appd. 18.02.08 W. Schmidt		
general tolerance: 0 ± 0,50mm 0,0 ± 0,25mm 0,00 ± 0,10mm		CONEC ®		part no:	
THIS DRAWING MAY NOT BE COPIED OR REPRODUCED IN ANY WAY, AND MAY NOT BE PASSED ON TO A THIRD PARTY WITHOUT WRITTEN PERMISSION. OWNERSHIP AND COPYRIGHT OF CONEC GmbH					