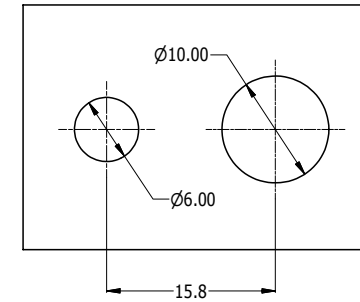
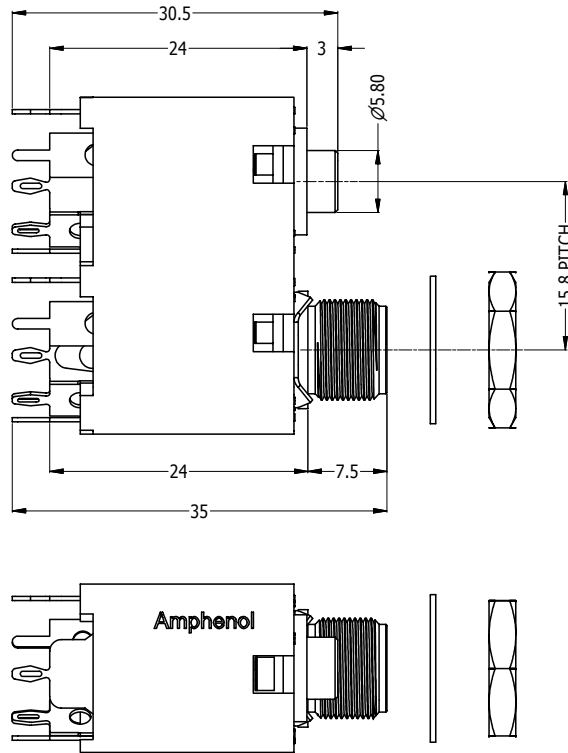
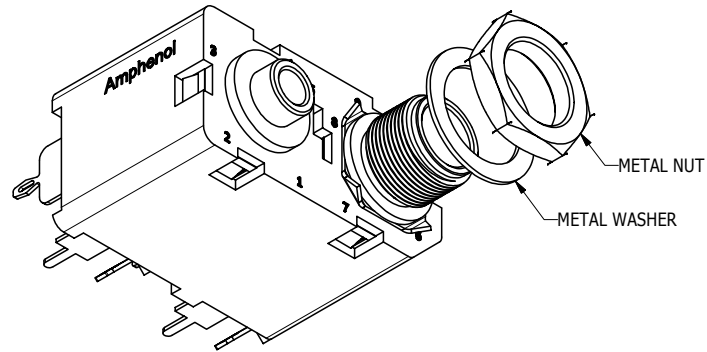
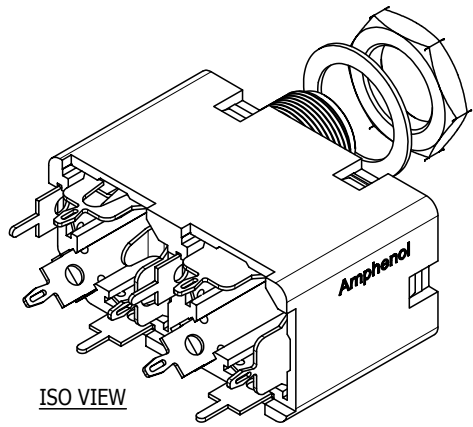


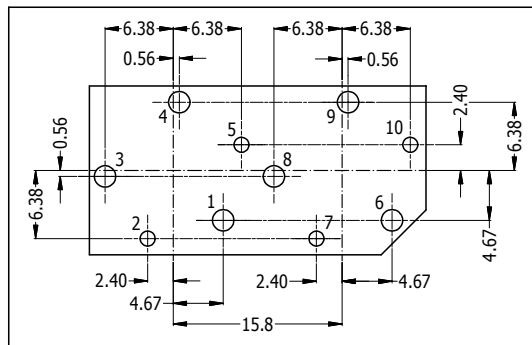
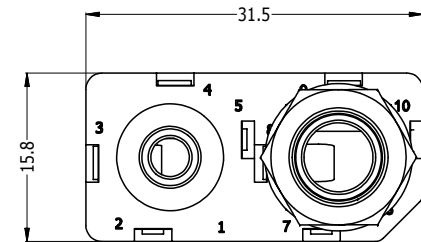
LEGEND \diamond = KEY PRODUCT CHARACTERISTICS



REVISION HISTORY				
REV	DESCRIPTION	DATE	BY	CHG/No
0	FIRST ISSUED	30/10/08	M.H	---



PANEL CUTOUT



PCB LAYOUT
COMPONENT SIDE

PART NUMBER	ACJM-MVD985-2	ACJM-MVD985-2S	ACJS-MVD985-3	ACJS-MVD985-3S	ACJS-MVD985-5
SCHEMATIC					
	<p>9</p> <p>8</p> <p>6</p> <p>3</p> <p>1</p>	<p>7</p> <p>8</p> <p>6</p> <p>3</p> <p>1</p>	<p>9</p> <p>8</p> <p>6</p> <p>4</p> <p>3</p> <p>1</p>	<p>9</p> <p>7</p> <p>8</p> <p>4</p> <p>2</p> <p>3</p> <p>1</p>	<p>9</p> <p>10</p> <p>7</p> <p>8</p> <p>6</p> <p>4</p> <p>5</p> <p>2</p> <p>3</p> <p>1</p>

UNLESS OTHERWISE SPECIFIED TOLERANCE TO BE		THIS DOCUMENT IS THE PROPERTY OF AMPHENOL AUSTRALIA PTY. LTD. NO PART THEREOF MAY BE REPRODUCED AND USED WITHOUT THE PRIOR WRITTEN CONSENT OF THE OWNER.			Amphenol Amphenol Australia Pty.Ltd, 2 Fiveways Blvd, Keysborough, VIC 3173	
LINEAR	ANGULAR	MATERIAL:	DRN: B.Z	DATE: 30/10/08	TITLE:	PART No:
X ±0.5 XX ±0.25 XXX ±0.1	X' ±1 X'X' ±30 X'X'X' ±15	REFER TO COMPONENTS	CKD: M.H	DATE: 30/10/08	3.5MM & 1/4" DUAL VERTICAL JACK CUSTOMER DRAWING	SEE CHART
BREAK ALL SHARP EDGES AND REMOVE ALL BURRS		FINISH: REFER TO COMPONENTS	APPD: P.M	DATE: 30/10/08	CAD FILE: 55010545000110	DRAWING No. 55010545-000-5
DO NOT SCALE		THIRD ANGLE PROJECTION	SCALE: 2:1	SIZE: A3	SHEET 1/2	