



## HIGHLY EFFICIENT PHASE SHIFT FULL BRIDGE CCFL CONTROLLER

### FEATURES

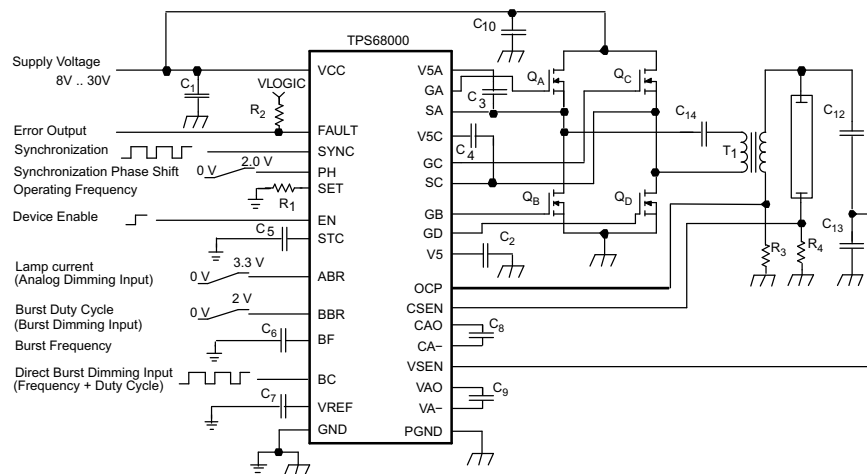
- 8-V to 30-V Input Voltage Range
- Full Bridge Topology With Integrated Gate Drives for 4 NMOS Switches
- Synchronizable Constant Frequency Operation
- Programmable Phase Delays of Operating Frequency for Master-Slave Operation
- Lamp Voltage and Lamp Current Regulation
- Analog and Burst Dimming
- Configurable Distributed Burst Dimming in Multiple Controller Applications
- Programmable Voltage Regulation Timeout for Startup and Fault Conditions
- Open-Lamp and Short-Circuit Protection
- Internal Over-Temperature Protection
- Undervoltage Lockout
- 30-pin TSSOP Package

### APPLICATIONS

- CCFL Backlight Power Supplies for Desktop Monitors and LCD TVs
- CCFL Backlight Power Supplies for Notebook Computers

### DESCRIPTION

The TPS68000 device provides a power supply controller solution for CCFL backlight applications in a large variety of applications. The wide input voltage range of 8 V to 30 V makes it suitable to be powered directly from regulated 12-V or 24-V rails, or any other source with output voltages in this range. When using a 10% accurate regulated 5-V rail, it also can be used in notebook computers or other portable battery-powered equipment having lower minimum supply voltages. The controller is capable of driving the gates of all 4 NMOS switches directly without the need for any additional circuitry, like dedicated gate drivers or gate-drive transformers. The wide input voltage range also makes it easy to design CCFL converters with higher input voltages like 120 V or 400 V available at the output of a power factor correction unit. The TPS68000 also supports CCFL converter circuits driving multi-lamp applications, either by using higher power-rated switches and transformers, or using several TPS68000s synchronized. When synchronized, they can be operated either at the same frequency and phase, or phase shifted to minimize RMS input current. Already implemented smart dimming features, such as support of distributed dimming, also help to optimize the performance of multi-controller applications. *(Continued on next page)*



Please be aware that an important notice concerning availability, standard warranty, and use in critical applications of Texas Instruments semiconductor products and disclaimers thereto appears at the end of this data sheet.

Distributed Dimming is a registered trademark of Texas Instruments.



These devices have limited built-in ESD protection. The leads should be shorted together or the device placed in conductive foam during storage or handling to prevent electrostatic damage to the MOS gates.

## DESCRIPTION (CONTINUED)

To start the lamp, an automatic strike control is implemented. It smoothly increases the lamp voltage by sweeping the operating frequency across the self resonance frequency of the transformer-series capacitor resonant circuit. During this time the maximum lamp voltage is limited and regulated by a voltage control loop until the lamp current increases to a value allowing the current control loop to take over control. The lamp current is regulated over a wide current range. To set the lamp brightness, analog and PWM dimming circuits are implemented. Analog and PWM dimming can be used independent of each other to control lamp brightness over a wide range.

To protect the circuit during fault conditions, for example broken, disconnected, or shorted lamps, overvoltage protection and overcurrent protection circuits are implemented. To protect the TPS68000 from overheating, an internal temperature sensor is implemented that triggers controller turn-off at an excessive device temperature.

The device is packaged in a 30-pin TSSOP package measuring 6,4 mm x 7,8 mm (DBT).

### AVAILABLE DEVICE OPTIONS

$T_A$	PACKAGE	PART NUMBER <sup>(1)</sup>
-40°C to 85°C	30-Pin TSSOP	TPS68000DBT

(1) The DBT package is available taped and reeled. Add R suffix to device type (e.g., TPS68000DBTR) to order quantities of 2000 devices per reel.

## ABSOLUTE MAXIMUM RATINGS

over operating free-air temperature range (unless otherwise noted) <sup>(1)</sup>

	TPS68000
Input voltage range on VCC, EN, FAULT	-0.3 V to 33 V
Input voltage range on SYNC, SET, PH, STC, ABR, BBR, BF, BC, VREF, VA-, VAO, CA-, CAO	-0.3 V to 6 V
Input voltage range on VSEN, CSEN, OCP	-6 V to 6 V
Input voltage range on GD, GB, V5	-0.3 V to 6 V
maximum differential voltage between GA, V5A and SA	6 V
maximum differential voltage between GC, V5C and SC	6 V
maximum differential voltage between SA and PGND	35 V
maximum differential voltage between SC and PGND	35 V
Operating virtual junction temperature range, $T_J$	-40°C to 150°C
Storage temperature range $T_{stg}$	-65°C to 150°C

(1) Stresses beyond those listed under "absolute maximum ratings" may cause permanent damage to the device. These are stress ratings only, and functional operation of the device at these or any other conditions beyond those indicated under "recommended operating conditions" is not implied. Exposure to absolute-maximum-rated conditions for extended periods may affect device reliability.

## DISSIPATION RATINGS

PACKAGE	THERMAL RESISTANCE $\theta_{JA}$	POWER RATING $T_A \leq 25^\circ\text{C}$	DERATING FACTOR ABOVE $T_A = 25^\circ\text{C}$	POWER RATING $T_A \leq 70^\circ\text{C}$	POWER RATING $T_A \leq 85^\circ\text{C}$
DBT	63.9°C/W	1565 mW	16 mW/°C	860 mW	626 mW

## RECOMMENDED OPERATING CONDITIONS

		MIN	NOM	MAX	UNIT
$V_I$	Supply voltage at VCC	8.0		30	V
$T_A$	Operating free air temperature range	-40		85	°C
$T_J$	Operating virtual junction temperature range	-40		125	°C

**ELECTRICAL CHARACTERISTICS**

over recommended free-air temperature range and over recommended input voltage range (typical at an ambient temperature range of 25°C) (unless otherwise noted)

PARAMETER		TEST CONDITIONS	MIN	TYP	MAX	UNIT
<b>MAIN CONTROL</b>						
V <sub>5</sub>	Internal control supply regulator	I <sub>OUT-V5</sub> < 25 mA	4.5	5	5.5	V
I <sub>OUT-V5</sub>	Control supply output current	including internal current consumption			25	mA
V <sub>UVLO</sub>	Under voltage lockout threshold at V5	Voltage at V5 decreasing	4.0	4.1	4.3	V
V <sub>OL</sub>	FAULT output low voltage	I <sub>FAULT</sub> = 500 μA		0.2	0.4	V
V <sub>lkg</sub>	FAULT output leakage current	V <sub>FAULT</sub> = 5 V		0.1	1	μA
V <sub>IL</sub>	EN input low voltage				0.4	V
V <sub>IH</sub>	EN input high voltage		1.4			V
	EN input current	V <sub>CC</sub> = 24 V		0.05	0.1	μA
I <sub>STC</sub>	STC source current	during strike		6		μA
I <sub>STC</sub>	STC source current	during wait		2		μA
I <sub>STC</sub>	STC source and sink current	normal operation, V <sub>STC</sub> = 1.25 V		10		μA
	Overtemperature protection			140		°C
	Overtemperature hysteresis			20		°C
	Quiescent current into VCC	VCC = 12 V, V5 = 5.5 V		30	50	μA
	Quiescent current into VCC	VCC = V5 = 5.5 V		25	40	μA
	Quiescent current into V5	VCC = V5 = 5.5 V		1000	1500	μA
	Shutdown current into VCC	VCC = V5 = 5.5 V, EN = 0V		1	2	μA
	Shutdown current into V5	VCC = V5 = 5.5 V, EN = 0V		1	2	μA
	Shutdown current into VCC	VCC = 12 V, EN = 0V		2.5	5	μA
V <sub>REF</sub>	Reference Voltage	I <sub>OUT-VREF</sub> < 5 mA	3.27	3.3	3.33	V
I <sub>OUT-VREF</sub>	Reference output current		5			mA
<b>GATE DRIVE</b>						
	High side drive sink resistance	I <sub>D</sub> = 0.05 A		1.2	2.0	Ω
	High side drive source resistance	I <sub>D</sub> = 0.05 A		1.5	2.5	Ω
	High side drive rise time	C <sub>G</sub> = 4.7 nF, S <sub>A</sub> = S <sub>C</sub> = 0 V, V <sub>5A</sub> = V <sub>5C</sub> = 5 V		35	50	ns
	High side drive fall time	C <sub>G</sub> = 4.7 nF		15	25	ns
	Time delay between high side off and low side on	C <sub>G</sub> = 4.7 nF		100		ns
	Time delay between low side off and high side on	C <sub>G</sub> = 4.7 nF		100		ns
	Low side drive sink resistance	I <sub>D</sub> = 0.05 A		1.2	2.0	Ω
	Low side drive source resistance	I <sub>D</sub> = 0.05 A		1.5	2.5	Ω
	Low side drive rise time	C <sub>G</sub> = 4.7 nF, V <sub>5</sub> = 5 V		35	50	ns
	Low side drive fall time	C <sub>G</sub> = 4.7 nF		15	25	ns
<b>MAIN OSCILLATOR</b>						
f	Oscillator frequency programming range		30		100	kHz
f <sub>SYNC</sub>	Frequency capture range for synchronization		0.5 x f		2 x f	
V <sub>IL</sub>	SYNC low voltage				0.4	V
V <sub>IH</sub>	SYNC high voltage		1.4			V
I <sub>SYNC</sub>	SYNC input current	V <sub>PH</sub> ≤ V <sub>5</sub> - 1.3 V, V <sub>SYNC</sub> = 3.3 V		0.5	1.5	μA
I <sub>SYNC</sub>	SYNC drive current	V <sub>SYNC</sub> ≥ 1.4 V, V <sub>PH</sub> = 5 V	1000	1250	1500	μA

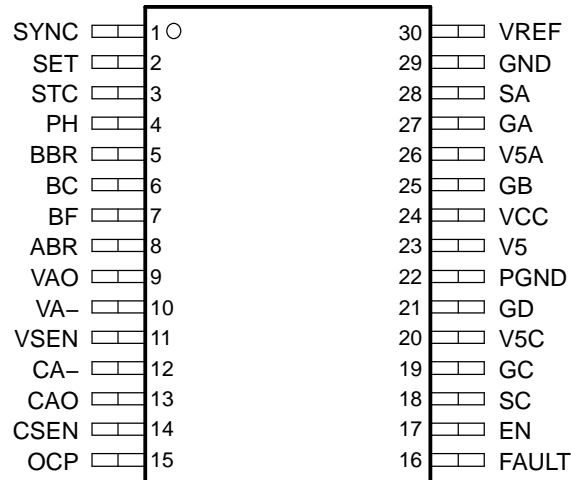
**ELECTRICAL CHARACTERISTICS (continued)**

over recommended free-air temperature range and over recommended input voltage range (typical at an ambient temperature range of 25°C) (unless otherwise noted)

PARAMETER		TEST CONDITIONS	MIN	TYP	MAX	UNIT
I <sub>SYNC</sub>	SYNC sink current	V <sub>SYNC</sub> ≤ 0.4 V, V <sub>PH</sub> = 5 V	1000	1250	1500	μA
	Minimum pulse width for synchronization			100		ns
V <sub>SET</sub>	SET output voltage			1.25		V
	Phase shift of the main oscillator clock	V <sub>PH</sub> = 0.1 V .. 1.9 V		90		° / V <sub>PH</sub>
I <sub>PH</sub>	PH input current	V <sub>PH</sub> = 2.0 V		0.1	1	μA
V <sub>PH</sub>	Threshold for programming device as main oscillator frequency master		V <sub>5</sub> – 1.3 V		V <sub>5</sub> – 0.7 V	V
<b>VOLTAGE AND CURRENT CONTROL</b>						
R <sub>CSEN</sub>	Current sense input impedance	V <sub>CSEN</sub> = 3.3 V		35		kΩ
R <sub>CSEN</sub>	Current sense input impedance	V <sub>CSEN</sub> = –3.3 V		25		kΩ
R <sub>VSEN</sub>	Voltage sense input impedance	V <sub>VSEN</sub> = 3.3 V		25		kΩ
R <sub>VSEN</sub>	Voltage sense input impedance	V <sub>VSEN</sub> = –3.3 V		30		kΩ
I <sub>CAO</sub> , I <sub>VAO</sub>	Voltage and current amplifier output source current	V <sub>CAO</sub> , V <sub>VAO</sub> = 2.5 V		55		μA
I <sub>CAO</sub> , I <sub>VAO</sub>	Voltage and current amplifier output sink current	V <sub>CAO</sub> , V <sub>VAO</sub> = 2.5 V	200			μA
V <sub>REF</sub> V <sub>REG</sub>	Voltage regulator reference voltage			(0.8 × V <sub>REF</sub> ) / π		V
V <sub>REF</sub> OVP	Overvoltage comparator threshold			V <sub>REF</sub>		V
V <sub>REF</sub> CREG	Current regulator reference voltage			V <sub>ABR</sub> / π		V
I <sub>OCP</sub>	Overcurrent comparator input current	V <sub>OCP</sub> = 3.3V		0.1	1	μA
I <sub>OCP</sub>	Overcurrent comparator input current	V <sub>OCP</sub> = –3.3V		50		μA
V <sub>REF</sub> OCP	Overcurrent comparator threshold			V <sub>REF</sub>		V
<b>DIMMING</b>						
I <sub>ABR</sub>	ABR input current	V <sub>ABR</sub> = 3.3 V		0.01	0.1	μA
V <sub>ABR</sub>	ABR input voltage range for lamp current programming	BC = V <sub>5</sub>	0		3.3	V
I <sub>BBR</sub>	BBR input current	V <sub>BBR</sub> = 2.0 V		0.1	1	μA
	Burst duty cycle	V <sub>BBR</sub> = 0 V .. 2 V		50		% / V <sub>BBR</sub>
V <sub>BBR</sub>	BBR input voltage threshold for selecting synchronized burst dimming		V <sub>5</sub> – 1.3 V		V <sub>5</sub> – 0.7 V	V
I <sub>BF</sub>	BF source current			10		μA
f <sub>Burst</sub>	Internal burst frequency range		20		1000	Hz
f <sub>BC</sub>	Frequency lock / capture range for synchronized burst dimming		0.5 × f <sub>Burst</sub>		1.5 × f <sub>Burst</sub>	
t <sub>r</sub>	Burst current pulse rise time			400		μs
I <sub>BC</sub>	BC input current	V <sub>BC</sub> = 3.3V		0.1	1	μA
V <sub>IL</sub>	BC input low voltage				0.4	V
V <sub>IH</sub>	BC input high voltage		1.4			V
	minimum pulse width at BC			100		ns
	Phase shift of the dimming burst compared to BC clock	V <sub>PH</sub> = 0 V .. 2 V, distributed dimming selected		180		° / V <sub>PH</sub>

**PIN ASSIGNMENTS**

**DBT PACKAGE  
(TOP VIEW)**



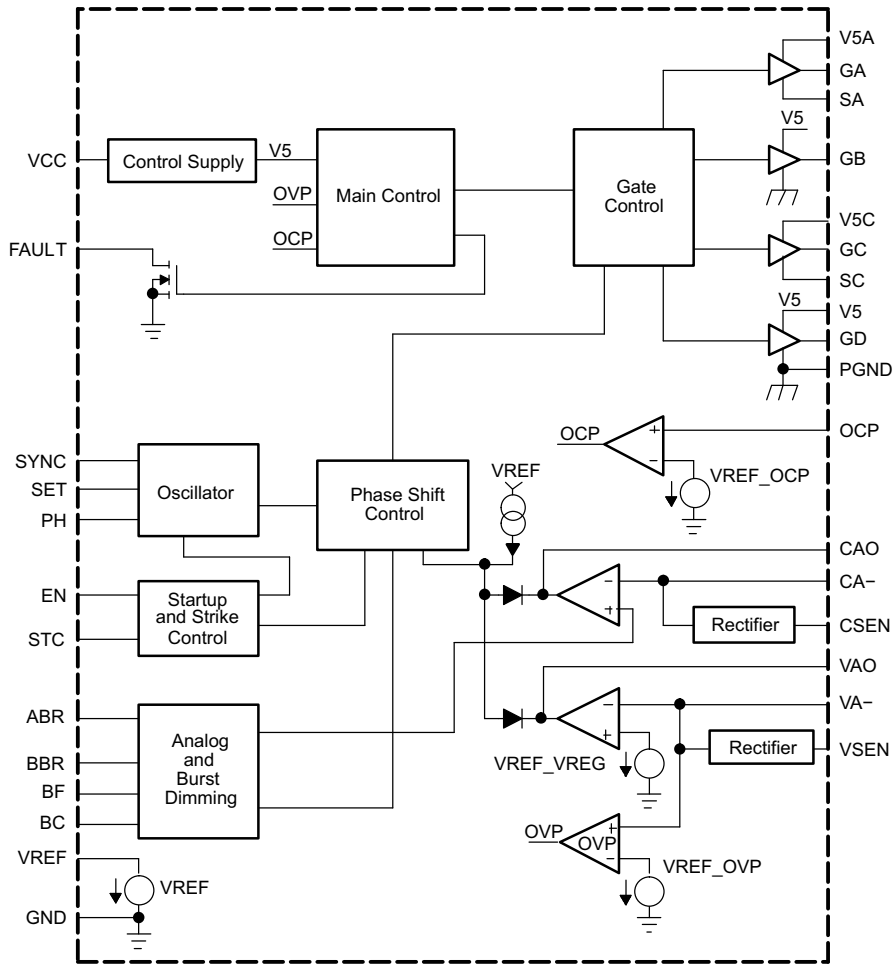
**Terminal Functions**

TERMINAL NAME	NO.	I/O	DESCRIPTION
ABR	8	I	Analog brightness programming input. A DC voltage applied at that pin programs the lamp current the current regulator regulates. 0 V means no current and 3.3 V means maximum current.
BBR	5	I	Burst brightness programming input. A DC voltage applied at that pin programs the duty cycle of the burst pulses generated to dimm the brightness. 0 V means zero duty cycle and 2 V means maximum duty cycle. Applying V5 (5 V) programs the device to operate in synchronized burst dimming mode.
BC	6	I	Burst control. A PWM signal applied at that pin is directly used for burst dimming. Frequency and duty cycle are used directly. This input has priority against the burst frequency programming with BBR and BF
BF	7	I	Burst frequency programming. A capacitor at that pin programs the burst frequency.
CA-	12	I	Current amplifier negative input. This input is used to connect the compensation capacitor for compensating the current loop.
CAO	13	O	Current amplifier output. This is the output for the current amplifier. It is used to connect the compensation capacitor for the current loop.
CSEN	14	I	Current sense. Measuring input for the lamp current. The applied voltage (coming from a shunt resistor) will be used for lamp current regulation. Sensed AC voltages can be applied directly. They will be rectified internally.
EN	17	I	Enable input. Logic high enables the device.
FAULT	16	O	Error output, any detected malfunctioning of the application will be reported as error on this pin. Error means the output is pulled low. The output is open drain to allow connecting multiple error outputs of similar devices together.
GA	27	O	Gate drive output of switch A
GB	25	O	Gate drive output of switch B
GC	19	O	Gate drive output of switch C
GD	21	O	Gate drive output of switch D
GND	29		Analog ground pin. Reference ground for all control signals.
OCP	15	I	Over current protection. This input is used to monitor a voltage derived from a current sensor in any part of the converter. This voltage is compared to an internal reference voltage. Exceeding the internal reference voltage causes the device logic to turn the device off and report an error signal at the fault pin.
PGND	22		Reference ground for the gate drivers and the gate drive supply.

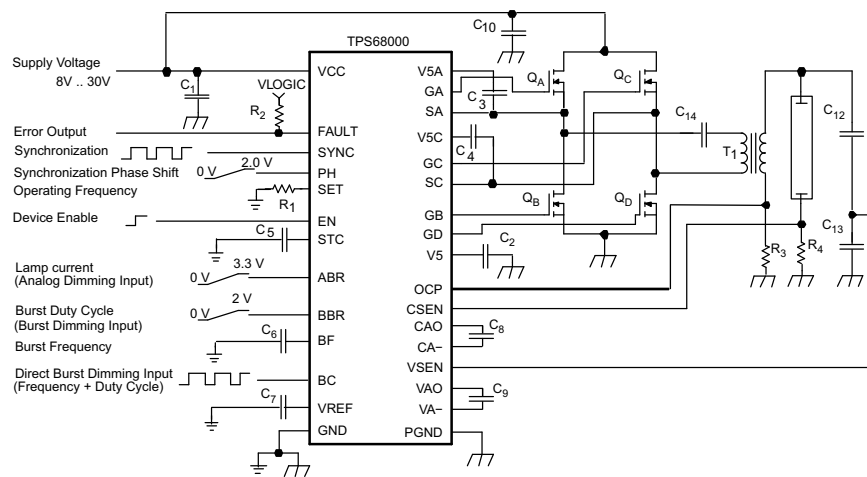
**PIN ASSIGNMENTS (continued)**  
**Terminal Functions (continued)**

TERMINAL NAME	NO.	I/O	DESCRIPTION
PH	4	I	Phase delay programming input. A voltage between 0 V and 2 V applied to that pin programs the phase delay of the operating frequency compared to the synchronizing frequency. Applying V5 (5.0 V) programs the device as a master regarding the main oscillator frequency (see SYNC). The voltage applied to that pin is also used to determine the phase delay in a distributed dimming configuration
SA	28		Source connection of switch A
SC	18		Source connection of switch C
SET	2	I	Operating frequency programming input. A resistor connected to this pin programs the internal operating frequency.
STC	3	I	Startup capacitor. A capacitor connected to that pin determines the the time the device waits in voltage regulation for the lamp to strike.
SYNC	1	I/O	Synchronization input or operating frequency output. If the device is configured as master (see PH) the pin is used to provide the synchronization frequency for the slaves. Otherwise the device works as slave and uses the applied frequency at that pin for synchronizing the operating frequency.
V5	23	I/O	Input/Output of the internal 5 V regulator for gate drive supply and control supply. A capacitor must be connected to that pin to decouple switching noise caused by the gate drivers.
V5A	26	O	Supply input for the gate driver of the high-side switch A. A capacitor must be connected to that pin to supply the gate driver during switching (bootstrap).
V5C	20	O	Supply input for the gate driver of the high side switch C. A capacitor must be connected to that pin to supply the gate driver during switching (bootstrap).
VA-	10	I	Voltage amplifier negative input. This input is used to connect the compensation capacitor for compensating the voltage loop.
VAO	9	O	Voltage amplifier output. This is the output for the voltage amplifier. It is used to connect the compensation capacitor for the voltage loop.
VCC	24	I	Device supply voltage input. VCC must be connected to V5 in case the device is powered directly from a regulated 5 V rail.
VREF	30	O	Voltage reference. Output of the internal 3.3 V reference for use with all the analog control inputs.
VSEN	11	I	Voltage sense. Measuring input for the lamp voltage. This voltage is used for lamp voltage regulation (open lamp regulation) and overvoltage protection. Sensed AC voltages can be applied directly. They are rectified internally.

**FUNCTIONAL BLOCK DIAGRAM (TPS68000)**



**PARAMETER MEASUREMENT INFORMATION**



TYPICAL CHARACTERISTICS

Table of Graphs

		FIGURE
Output voltage at $V_5$	vs output current at $V_5$	1
Output voltage at $V_{REF}$	vs output current at $V_{REF}$	2
Operating frequency	vs resistance at SET	3
Phase shift of operating frequency	vs voltage at PH	4
Burst dimming duty cycle	vs voltage at BBR	5
Burst dimming phase shift	vs voltage at PH	6
Waveforms	Startup of $V_5$ ( $V_{CC} = 12\text{ V}$ )	7
	Startup of $V_5$ ( $V_{CC} = 24\text{ V}$ )	8
	Startup of $V_{REF}$ ( $V_{CC} = V_5 = 5\text{ V}$ )	9
	Lamp current and lamp voltage at startup ( $V_{CC} = 12\text{ V}$ )	10
	Lamp current and lamp voltage at startup ( $V_{CC} = 24\text{ V}$ )	11
	Lamp current softstart at burst dimming	12

OUTPUT VOLTAGE AT  $V_5$   
vs  
OUTPUT CURRENT AT  $V_5$

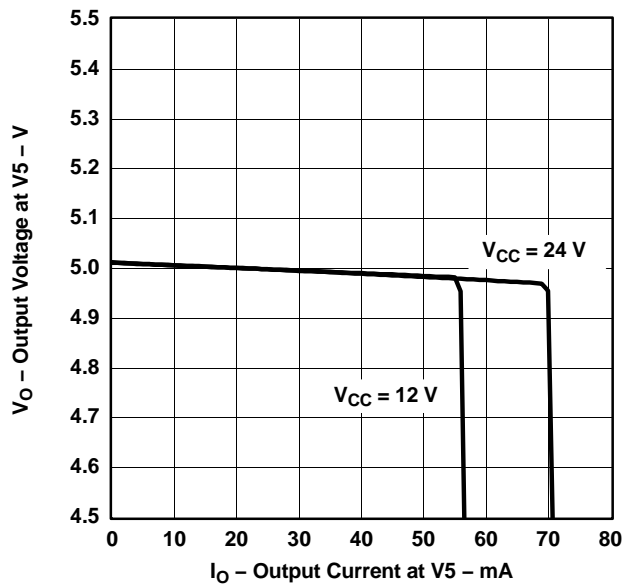


Figure 1.

OUTPUT VOLTAGE AT  $V_{REF}$   
vs  
OUTPUT CURRENT at  $V_{REF}$

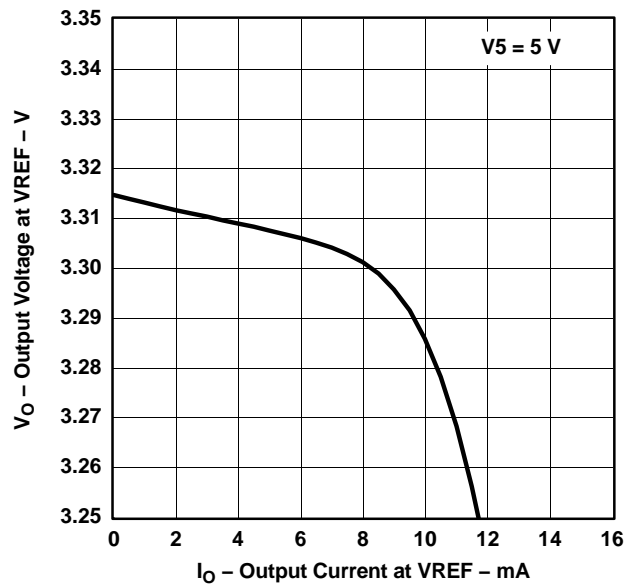


Figure 2.



OPERATING FREQUENCY  
vs  
RESISTANCE AT SET

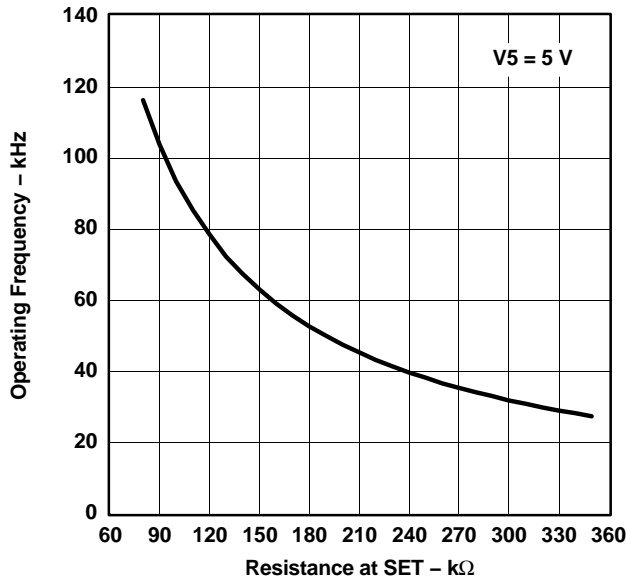


Figure 3.

PHASE SHIFT OF OPERATING FREQUENCY  
vs  
VOLTAGE AT PH

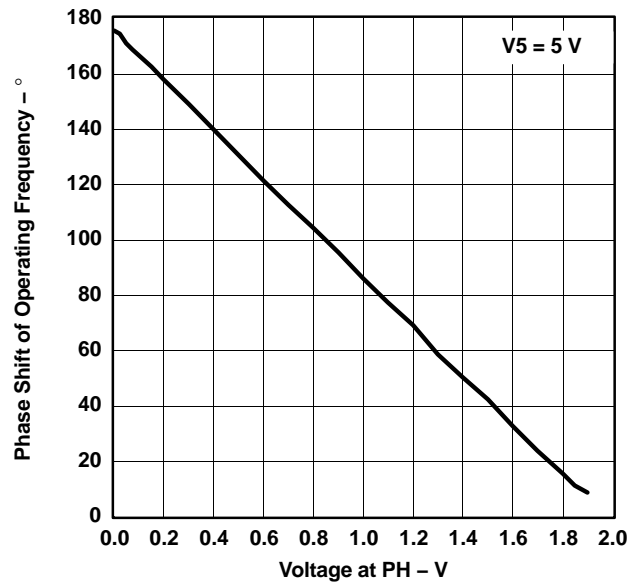


Figure 4.

BURST DIMMING DUTY CYCLE  
vs  
VOLTAGE AT BBR

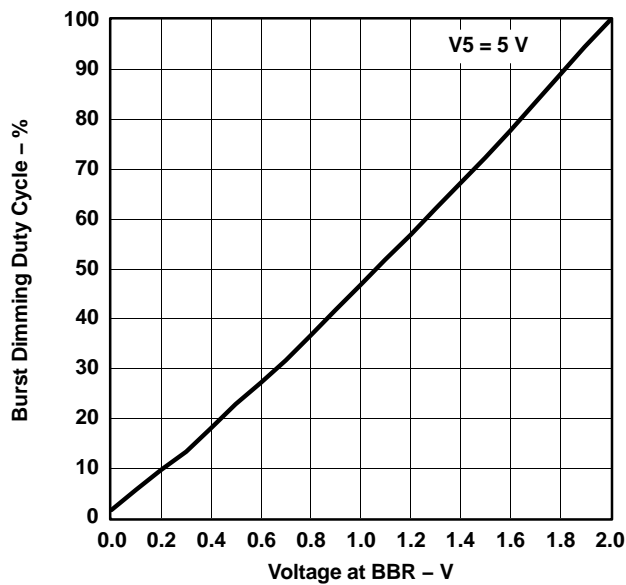


Figure 5.

BURST DIMMING PHASE SHIFT  
vs  
VOLTAGE AT PH

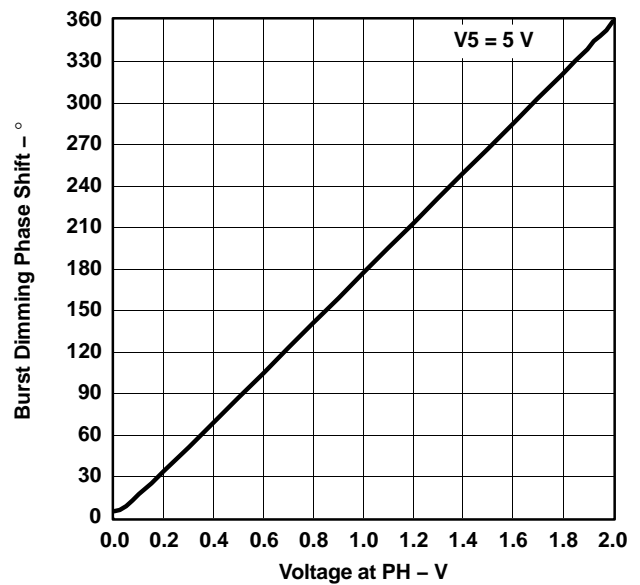


Figure 6.

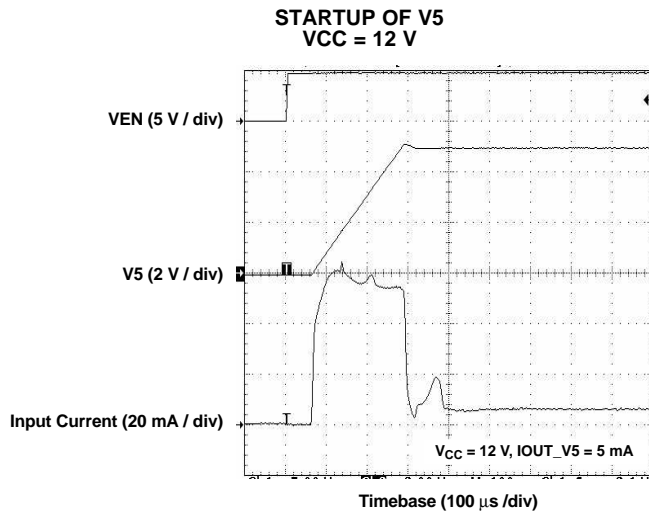


Figure 7.

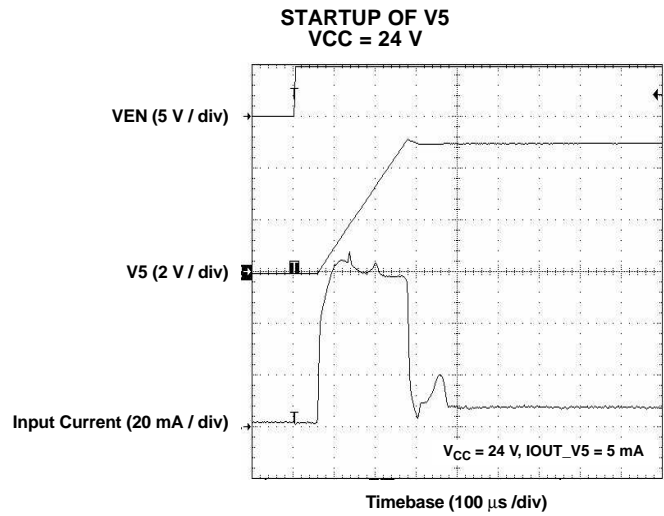


Figure 8.

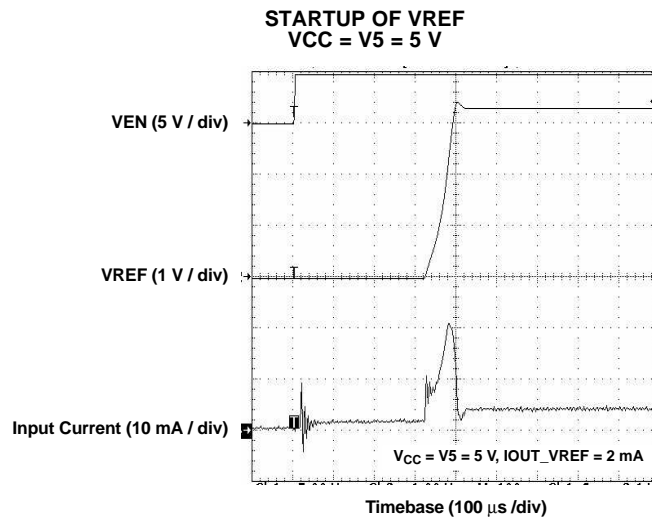


Figure 9.

LAMP CURRENT AND  
LAMP VOLTAGE AT STARTUP  
VCC = 12 V

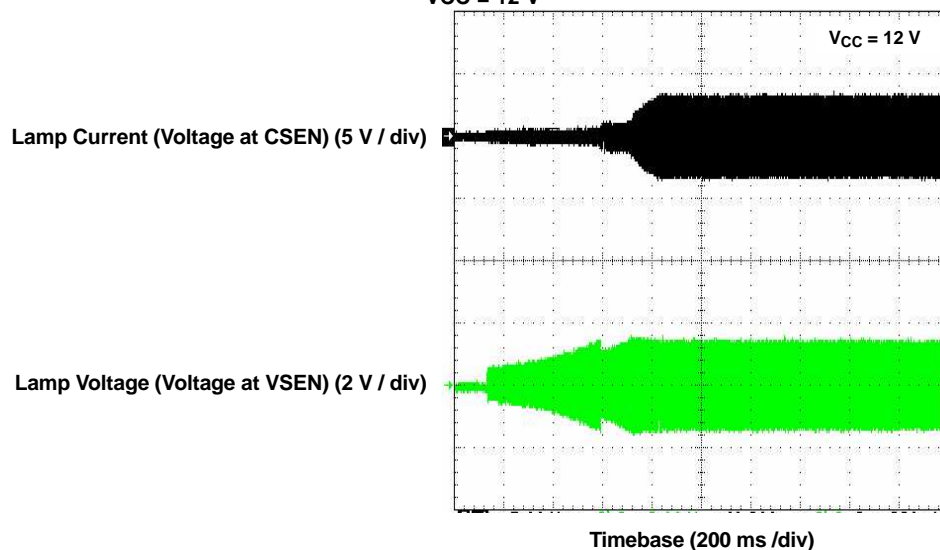


Figure 10.

LAMP CURRENT AND  
LAMP VOLTAGE AT STARTUP  
VCC = 24V

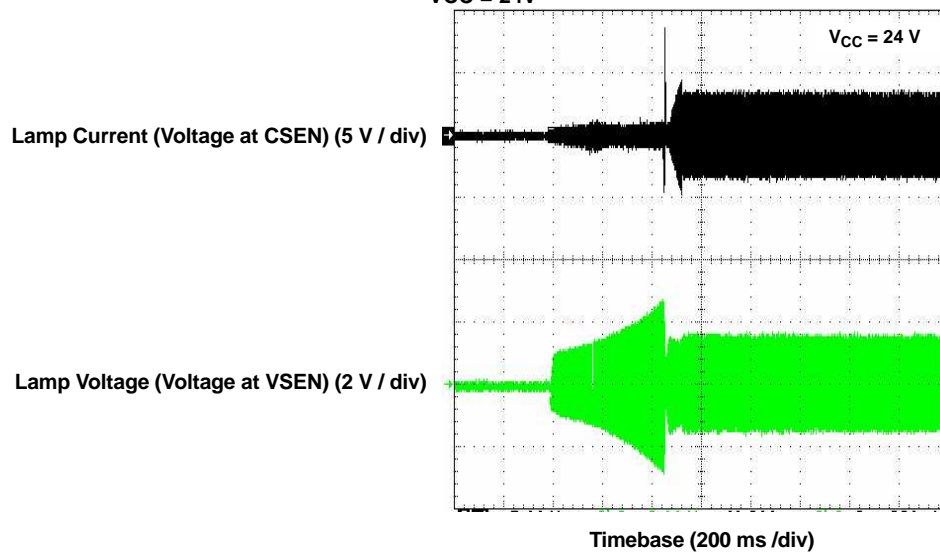


Figure 11.

**LAMP CURRENT SOFTSTART  
AT BURST DIMMING**

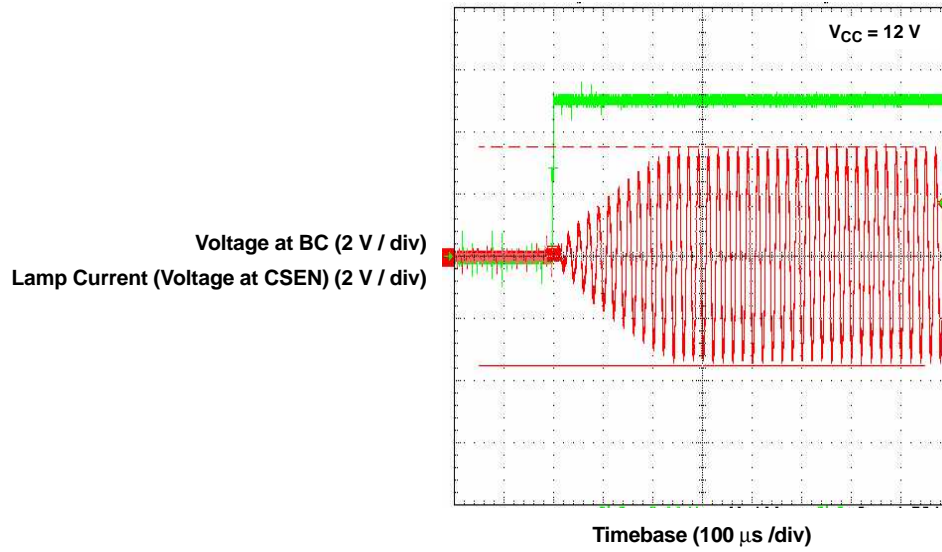


Figure 12.

## DETAILED DESCRIPTION

### Supply Voltages

The TPS68000 and the connected H-bridge power stage can be completely supplied by a voltage connected to VCC. This voltage must be between 8 V to 30 V. In this configuration an internal linear regulator generates the 5 V required for control supply and gate drive supply. It is available at the V5 pin. The external capacitors for supplying the high side gate drivers during operation are charged using internal diodes during the time when the low side switches are turned on. The 3.3-V reference voltage is generated with a precise linear regulator, which is also supplied from the 5-V control supply.

Optionally, the device can be supplied using a regulated 5-V rail. This is done by connecting the external 5 V to VCC and V5. This way the internal regulator is bypassed and the internal power dissipation is reduced. It also makes it possible to use any voltage lower than 30 V to supply the H-bridge power stage. When using appropriate means of isolating the gate drive outputs of the device from their respective gates of the H-bridge switches, the device can control power stages with higher input voltages as well. An example for this configuration is using the output voltage of the PFC directly as a supply for the H-bridge power stage.

### Gate Driver

The TPS68000 is a controller for converters, built with a full bridge topology. To control the output power high-side and low-side switches in each of the two half bridges are driven alternately with 50% duty cycle. By phase shifting both half-bridge parts to each other, output power is controlled. Current can only flow into the transformer if one of the high side switches is turned on the same time as the low-side switch on the other half-bridge is turned on. Maximum output power can be achieved if the turn on time of the high-side switch on one half-bridge exactly overlaps with the turn on time of the low side on the other half bridge. Zero output power will be if there is no overlap.

To properly control the 4 switches required for this phase shift full bridge topology, 4 gate drivers are implemented. To obtain maximum efficiency at lowest costs the gate drivers are designed to drive 4 N-Channel MOSFETs. The gate drive outputs can be connected directly to the gates of the FETs. There is no gate drive circuit required as long as the operating input voltage range does not exceed the isolation voltage of the high side drivers or the drive capability is not sufficient for larger FETs. The nominal gate drive voltage is 5 V. This 5-V rail is generated internally in the device and is used directly to supply the low side drivers. For the high side drivers external capacitors are used to supply the drivers. They are charged up during the on time of the low-side drivers.

### Control Circuit

The device is able to control lamp current and lamp voltage directly. Lamp voltage and lamp current are sensed with an appropriate feedback divider and a shunt resistor. By suitable designing feedback divider and shunt resistor lamp current and maximum lamp voltage are programmed. Since the lamp needs to be operated with AC current, the feedback signals in simple applications usually are AC voltages. To directly support this and to save external components for rectification, internal half wave rectifiers are built in the device.

Regulating current and voltage is done by two independent error amplifiers. Both are compensated externally to be flexible to meet the demands for a wide variety of CCFL backlight applications. Both error amplifier outputs feed the phase shift modulator. Whichever error amplifier requires the lower duty cycle, takes over control of the system. The control circuit also detects whether the device operates in voltage regulation or in current regulation. If voltage regulation is detected a fault condition is assumed, for example a broken lamp. In this condition the control circuit waits for a programmed wait time. If the current regulator does not take over control again during this wait time, the device shuts down and sets the FAULT flag. The wait time is programmed with the size of the capacitance at STC.

### Protection

In addition to the voltage regulator other means of protection are implemented. To ensure that the secondary voltage of the transformer does not exceed the isolation breakdown voltage of the transformer an overvoltage comparator is implemented. This comparator monitors the rectified voltage at the VSEN input. If the peak voltage level at VSEN rises 20% above the nominal regulation voltage, regulated by the voltage amplifier, the overvoltage comparator trips and the device immediately enters FAULT condition. For detailed threshold values please check the electrical characteristics table.

## DETAILED DESCRIPTION (continued)

For additional protection there is a standalone comparator implemented. It can be used to monitor any voltage in the system. The switching threshold is set to the  $V_{REF}$  voltage.

. This comparator monitors a voltage at its input and compares it with the internal reference voltage. As soon as the input voltage of the comparator exceeds the reference voltage the comparator asserts FAULT at its output. Negative voltages can be applied at that pin but there is no rectification. Since the input of the overcurrent comparator is directly accessible at a pin it can be connected to any part of the circuit. It must not necessarily use the shunt resistor used for current regulation. Monitoring the current in the secondary winding or any other DC voltage in the system may be a desired approach as well.

Finally the device has an internal temperature sensor to monitor the IC temperature. If the temperature gets too high FAULT is asserted as well. For detailed values for threshold and hysteresis of the thermal protection please check the electrical characteristics table.

### Oscillator

The device is operating at a fixed frequency which is generated by a built in PLL circuit. The frequency is programmed with a resistor at SET. It also can be synchronized to an external frequency at SYNC. When synchronizing to an external clock two modes are possible. One is to synchronize directly to the external clock, the other is to synchronize to the external clock but phase shifted. This helps to minimize the RMS input current of the complete power converter application in a multi controller topology. This phase shift is programmed with a DC voltage of 0 V to 2 V at PH for a phase shift of 0° to 180°.

### Dimming

To dimm the lamp, two basic methods of dimming are supported. The first is to control the lamp current directly, called analog dimming. The second is to turn the lamp on and off at a low frequency with a certain duty cycle, called burst dimming. Analog dimming, is done by just providing a DC voltage at ABR. The lamp current will be regulated proportional to that voltage. The maximum lamp current in burst dimming is also programmed with this voltage at ABR.

Turning the lamp on and off, burst dimming, needs some more information. A low frequency must be generated and duty cycle information for the on time needs to be provided. The simplest burst dimming mode, independent burst dimming, is to program the low frequency with an external capacitor at BF. Applying a DC voltage at BBR sets the duty cycle of the burst pulse. The burst duty cycle will be programmed proportional to the DC voltage at BBR.

If the burst dimming frequency and duty cycle must be synchronized to an external PWM signal this external signal can be connected to BC. The bursts follow the PWM signal directly. A PWM signal detected at BC has priority to any internally generated burst signal. To force the device to take the BC PWM signal BBR can be tied high (V5).

To minimize RMS input current in a multiple controller application the burst signal can be phase shifted to the external PWM connected to BC, which is called Distributed Dimming<sup>®</sup>. Frequency and duty cycle stay the same. The phase shift information is derived from the voltage at PH. Voltages of 0 V to 2 V at PH generate burst phase shifts of 0° to 360°. For this mode of operation the internal low frequency oscillator is used. It is operated as a PLL synchronized to the PWM frequency at BC and its center frequency has to be programmed at BF. The compensation of the low frequency PLL is done with an R - C network connected at BBR.

### Startup

When the device is enabled or the device is powered up with EN tied high, the device enters lamp strike mode. In this mode no dimming and synchronization is possible. During the strike procedure the lamp current which should flow when the lamp has turned on is programmed at ABR.

The device starts operating at double the programmed operating frequency and sweeps down to half of the nominal frequency. During this sweep it can cross the self resonance frequency of the system with its maximum voltage gain. As soon as the lamp current has reached its programmed value the device stops sweeping and switches to the nominal operating frequency. The device will continue to regulate the lamp current and all other control features like synchronization and burst dimming are enabled and will be used. If during this sweep the

lamp voltage, which is programmed at the voltage regulator is reached, frequency sweeping is stopped and the voltage regulator regulates the voltage at the programmed level. At that time a timer is started. If during this waiting, the lamp current reaches its programmed value, the device will continue operating as described above. If for any reason the timer reaches its programmed end, programmed by a capacitor at STC, the device stops working and enters FAULT condition.

## APPLICATION INFORMATION

### DESIGN PROCEDURE

This section describes the basic configuration and calculations which need to be done for getting the component values necessary for configuring the device properly. Backlight inverters can be significantly more complex especially when driving multiple lamps with one or more controllers. This will be described in separate application notes and documentation for reference designs and EVM's which are also available.

#### Decoupling and Filtering

For decoupling and filtering it is recommended to use capacitors with a low series resistance and inductance to achieve optimum performance. Surface mount ceramic capacitors are a good choice. It is also recommended to use short and wide traces to connect those decoupling capacitors to the controller.

For the high side gate drivers in typical applications at least a 1- $\mu\text{F}$  supply capacitor is recommended. It should be connected between SA to V5A and SC to V5C with connectio placed as close as possible to the respective pins to make sure that the gate drive outputs have a low impedance power source.

The V5 control supply requires a decoupling capacitor as well. It should be similar in capacitance as used for both of the high side gate drivers. Example if a typical 1 $\mu\text{F}$  capacitor is used at the high side drivers therefore 2.2  $\mu\text{F}$  is recommended at V5.

If V5 is used as an input, which means the controller is supplied with regulated 5 V directly, V5 must be connected to VCC to avoid reverse current flowing and malfunctioning of the control circuits directly powered from VCC.

In case the V5 regulator is supplied via the VCC input it is recommended to use a decoupling capacitor at the VCC pin. The capacitor should be at least 0.1  $\mu\text{F}$ . For additional filtering a resistor in series can be used.

For all those capacitors the PGND pin at the IC should be the reference ground.

#### Connecting the Gates of the MOSFETs

The gates of the MOSFETs of the power stage should be connected with short and wide traces having a low impedance. The respective ground connection should be similar in width and length. Special care should be taken on the loop area formed by the gate drive trace and the respective ground return trace, that it is as small as possible. Any vias in this traces should be avoided.

If there is a need to slow down the switching speed of the FETs to reduce EMI caused by switching transients, gate resistors at the gate drive outputs can be used.

#### Voltage Reference

The internal reference voltage is available at the VREF pin. It is recommended to decouple it at this pin using a minimum 0.22  $\mu\text{F}$  capacitor to the analog ground reference pin GND. Short direct connections are recommended.

#### Enabling the Controller

A logic high at the EN pin enables the controller. The enable thresholds are designed to meet requirements of 3.3 V and 1.8 V logic standards. Nevertheless it is also possible to connect EN directly to VCC to enable the controller at power up, since the EN pin can withstand voltages as high as allowed at VCC.

If the device detects a fault it is automatically disabled. To allow the device to automatically restart after a fault, FAULT and EN pins can be directly connected together using a common pull up resistor to VCC.

#### Fault Output

The fault output is open drain. It is low impedance to GND if the controller detected a fault. In normal operation it is always high impedance. To make sure that a logic low at the FAULT pin has a lower voltage than 0.4 V the pullup resistor should limit the current into the FAULT pin to a value lower than 0.5 mA. [Equation 1](#) shows the calculation:



## APPLICATION INFORMATION (continued)

$$R_{\text{FAULT}} = \frac{V_{\text{LOGIC}}}{0.5 \text{ mA}} \quad (1)$$

$R_{\text{FAULT}}$  is the minimum resistance value of the pullup resistor,  $V_{\text{LOGIC}}$  is the maximum supply voltage of the logic connected to FAULT.

### Main Oscillator

In normal operation the controller operates at the frequency of the main oscillator. It is programmed with a resistor connecting the SET pin to GND. The resistor value is calculated using [Equation 2](#):

$$R_{\text{SET}} = \frac{9720 \times \text{k}\Omega \times \text{kHz}}{f_{\text{N}}} \quad (2)$$

If the controller should be synchronized to an external clock the main oscillator frequency should be programmed close to the synchronizing frequency. This avoids large variations in case external clock pulses are missing. It also speeds up the locking to the external clock. The SET pin should never be left open.

### Synchronization of the Main Oscillator

The main oscillator can be used in different modes of operation. The first and most important mode is using it as a reference clock. This is also the mode of choice in a single controller application which is not synchronized to an external clock. In this mode the SYNC pin is used as an output and should be left open if no circuit needs to be synchronized to the device main oscillator clock. To force the device operating in this mode 5 V (V5) must be connected to the PH pin.

Lower voltages applied at the PH pin configure the SYNC pin as an input. Detailed voltage levels for this can be found in the electrical characteristics table. If the SYNC pin is configured as an input the device automatically synchronizes the main oscillator to the frequency which must be applied at the SYNC pin. The compensation for this main oscillator PLL circuit is done with a capacitor connected at the STC pin. Since this capacitor is used for defining sweep and wait timing during startup and voltage regulation, synchronization is only possible when the device has started and is regulating lamp current. Any capacitance value which makes sense for defining sweep and wait time should offer a reasonable compensation for the main oscillator PLL. How to calculate the value for the capacitor at STC to program the startup and wait timing is shown in the following paragraph. Typical values are in a  $\mu\text{F}$  range.

Also a phase shifted synchronization can be programmed. For this a voltage in the range between 0 V and 2 V must be applied at the PH pin. For calculating the phase shift of the main oscillator clock to the clock applied at the SYNC pin [Equation 3](#) can be used:

$$\phi_{\text{N}} = V_{\text{PH}} \times 90 \frac{\circ}{\text{V}} \quad (3)$$

In this equation  $\phi_{\text{N}}$  is the main oscillator clock phase shift and  $V_{\text{PH}}$  is the voltage applied at the PH pin.

### Startup and Wait Timing

After enabling the device the device is starting at double the programmed main oscillator frequency and is sweeping down to half the programmed main oscillator frequency. The timing for the sweep is programmed with a capacitor connected between STC and GND. It can be calculated using [Equation 4](#):

$$t_{\text{SW}} = C_{\text{STC}} \times 0.42 \times \frac{\text{s}}{\mu\text{F}} \quad (4)$$

$t_{\text{SW}}$  is the sweep time and  $C_{\text{STC}}$  is the capacitance connected between the pins STC and GND.

If at any time the voltage regulator becomes active a wait timer is started. The timing is also programmed with a capacitor connecting STC and GND. Open lamp condition will lead to shutdown after timeout. [Equation 5](#) shows how to calculate the wait time,  $t_{\text{W}}$ :

## APPLICATION INFORMATION (continued)

$$t_W = C_{STC} \times 0.63 \times \frac{S}{\mu F} \quad (5)$$

### Programming the Lamp Current

The lamp current which is an AC signal is sensed at the CSEN input. The AC signal is half-wave rectified through internal circuits eliminating the need for external parts except for a current sense resistor. The error amplifier will generate an average voltage from the half wave rectified input signal. This average voltage is compared to the steering signal for the lamp current. This steering signal is always provided at the ABR input. It is recommended to use the reference voltage as a maximum input voltage. For a sinusoidal feedback voltage at CSEN the peak voltage matches the voltage applied at ABR. With this information the shunt resistor for a given RMS lamp current can be calculated using [Equation 6](#):

$$R_{Shunt} = \frac{V_{ABR}}{I_{Lamp} \sqrt{2}} \quad (6)$$

Assuming that the reference voltage is connected to ABR the lamp current is calculated as shown in the following [Equation 7](#):

$$R_{Shunt} = \frac{3.3 V}{I_{Lamp} \sqrt{2}} \quad (7)$$

$R_{Shunt}$  is the value of the shunt resistor used for current sensing,  $V_{ABR}$  is the voltage applied at ABR and  $I_{Lamp}$  is the RMS value of the lamp current which should be programmed.

### Analog Dimming

By modifying the voltage at ABR the lamp current steering signal is changed. With this the lamp current is changed. The resulting lamp current for a certain voltage at ABR can be calculated as shown in [Equation 8](#):

$$I_{Lamp} = \frac{V_{ABR}}{R_{Shunt} \sqrt{2}} \quad (8)$$

$I_{Lamp}$  is the RMS lamp current,  $V_{ABR}$  is the voltage at ABR and  $R_{Shunt}$  is the value of the resistor used for lamp current sensing.

### Programming the Voltage Regulation and Overvoltage Protection

The lamp voltage and the transformer secondary voltage are AC signals as is the lamp current. They are sensed at the VSEN input. Circuits similar to the current amplifier (CSEN) half wave rectified input are eliminating the requirement for rectification on VSEN. The error amplifier will generate an average voltage from the half wave rectified input signal. This average voltage is compared to the steering signal for the voltage. This steering signal is derived from the internal reference voltage  $V_{REF}$ . The overvoltage comparator is monitoring the peak voltage at VSEN. Its threshold is the internal reference voltage. The voltage divider ratio can be calculated using [Equation 9](#):

$$r_V = \frac{V_{REG}}{1.87 V} \quad (9)$$

$r_V$  is the ratio of the voltage feedback divider and  $V_{REG}$  is the maximum RMS voltage the regulator should regulate at the lamp or transformer secondary.

The corresponding RMS voltage where the overvoltage protection comparator turns off can be calculated using [Equation 10](#):

$$V_{OVP} = 2.33 V \times r_V \quad (10)$$

To build the voltage feedback divider, resistive and capacitive dividers can be used. In case of a resistive divider the ratio of the feedback divider is defined as shown in [Equation 11](#):

## APPLICATION INFORMATION (continued)

$$r_V = \frac{R_H + R_L}{R_L} \quad (11)$$

$R_H$  is the upper resistor in the divider at the high voltage side,  $R_L$  is the resistor to GND.

In case of a capacitive divider the ratio can be calculated as shown in [Equation 12](#):

$$r_V = \frac{C_H + C_L}{C_H} \quad (12)$$

In this case  $C_H$  is the upper capacitor in the divider at the high voltage side,  $C_L$  is the capacitor to GND.

### Protection

The overcurrent protection comparator (OCP) is typically used to monitor output current but can be configured to monitor any voltage. The comparator uses the internal reference voltage  $V_{REF}$  as a fixed threshold. Any voltage above the internal reference voltage at OCP for more than 4 clock cycles of the main oscillator causes the comparator to trip and generate a fault. The comparator only will trip with positive voltages above the internal reference voltage at applied to OCP. Although the input can withstand higher negative voltages there is no rectification implemented.

### Compensating the Current and Voltage Regulators

The compensation networks for current and voltage regulators are connected between the negative inputs and the outputs of the respective amplifier. At the current amplifier the pins are CAM (input) and CAO (output). At the voltage amplifier VAM (input) and VAO (output) are used. The compensation network must have a dominating capacitive characteristic, since the error amplifiers are also used for smoothing the half wave rectified feedback input signal. capacitors in parallel with resistor and capacitor in series or just capacitors are recommended. In typical applications a 2200 pF capacitor at the current amplifier and a 0.022  $\mu$ F capacitor at the voltage amplifier can be used.

### Synchronized Burst Dimming

To configure the device for synchronized burst dimming the dimming PWM signal must be connected directly to the BC logic input pin. The controller will turn the lamp on and off, following directly the PWM pulses applied at BC regarding frequency, phase and duty cycle. The slopes of the lamp current are controlled internally. The other pins used for configuring burst dimming, BBR and BF should have a defined state as well. It is recommended to connect BBR to 5 V (V5) and to connect BF to GND.

### Independent Burst Dimming

In this configuration the device generates the low dimming frequency and the duty cycle internally. To use this feature the BC pin should be connected to GND. A capacitor connected to BF is used to program the frequency of the low frequency oscillator. The capacitance necessary to program a given burst dimming frequency can be calculated using [Equation 13](#):

$$C_{BF} = \frac{4.7}{f_D} \times \mu\text{F} \times \text{Hz} \quad (13)$$

$C_{BF}$  is the capacitor required to be connected between BF and GND and  $f_D$  is the low frequency oscillator frequency which should be programmed. For example a 0.047  $\mu$ F capacitor is needed to program a burst frequency of 100 Hz.

To program the burst duty cycle a voltage at BBR is used. The duty cycle can be calculated using [Equation 14](#):

$$D_B = V_{BBR} \times 50 \times \frac{\%}{V} \quad (14)$$

$D_B$  is the resulting burst duty cycle and  $V_{BBR}$  is the voltage applied at the BBR pin. The operating voltage range for duty cycle programming is 0 V to 2 V. 0 V at BBR will program 0% burst duty cycle and 2 V will program 100% burst duty cycle.

## APPLICATION INFORMATION (continued)

### Phase Shifted Burst Dimming

The device also supports phase shifted burst dimming. In this configuration a direct PWM burst signal is used which must be connected to BC. The internal low frequency oscillator must be programmed as described in the independent burst dimming section and in [Equation 13](#). Since the internal low frequency oscillator will be synchronized to the frequency connected to BC it is recommended to program the internal low frequency close to the frequency at BC. The synchronization is done using a PLL circuit. This PLL circuit needs an external compensation network connected at BBR. For a typical burst frequency in the 100 Hz range using a 0.68  $\mu\text{F}$  capacitor in series with a 100  $\text{k}\Omega$  resistor is recommended. This R - C network should be connected between BBR and GND.

The phase shift of the dimming burst compared to the input signal at BC is programmed with a voltage applied at PH. The resulting phase shift can be calculated using [Equation 15](#):

$$\phi_B = V_{PH} \times 180 \times \frac{\circ}{V} \quad (15)$$

$\phi_B$  is the phase shift of the dimming burst and  $V_{PH}$  is the voltage applied at the PH pin.

### Layout Considerations

As for all switching power supplies, the layout is an important step in the design, especially at high peak currents and high switching frequencies. If the layout is not carefully done, the regulator could show stability problems as well as EMI problems. Therefore, use wide and short traces for the main current path and for the power ground tracks. Use a common ground node for power ground and a different one for control ground to minimize the effects of ground noise. Connect these ground nodes at any place close to one of the ground pins of the IC.

To layout the control ground, it is recommended to use short traces as well, separated from the power ground traces. This avoids ground shift problems, which can occur due to superimposition of power ground current and control ground current.

## THERMAL INFORMATION

Implementation of integrated circuits in low-profile and fine-pitch surface-mount packages typically requires special attention to power dissipation. Many system-dependent issues such as thermal coupling, airflow, added heat sinks and convection surfaces, and the presence of other heat-generating components affect the power-dissipation limits of a given component.

Three basic approaches for enhancing thermal performance are listed below.

- Improving the power dissipation capability of the PCB design
- Improving the thermal coupling of the component to the PCB
- Introducing airflow in the system

The maximum recommended junction temperature ( $T_J$ ) of the TPS68000 device is 125°C. The thermal resistance of the 30-pin TSSOP package (PW) is  $R_{\theta JA} = 63.9^\circ\text{C}/\text{W}$ . Specified regulator operation is assured to a maximum ambient temperature  $T_A$  of 85°C. Therefore, the maximum power dissipation is about 626 mW. More power can be dissipated if the maximum ambient temperature of the application is lower.

$$P_{D(\text{MAX})} = \frac{T_{J(\text{MAX})} - T_A}{R_{\theta JA}} = \frac{125^\circ\text{C} - 85^\circ\text{C}}{63.9 \frac{^\circ\text{C}}{\text{W}}} = 626 \text{ mW} \quad (16)$$

**PACKAGING INFORMATION**

Orderable Device	Status <sup>(1)</sup>	Package Type	Package Drawing	Pins	Package Qty	Eco Plan <sup>(2)</sup>	Lead/Ball Finish	MSL Peak Temp <sup>(3)</sup>
TPS68000DBT	ACTIVE	TSSOP	DBT	30	60	Green (RoHS & no Sb/Br)	CU NIPDAU	Level-2-260C-1 YEAR
TPS68000DBTG4	ACTIVE	TSSOP	DBT	30	60	Green (RoHS & no Sb/Br)	CU NIPDAU	Level-2-260C-1 YEAR
TPS68000DBTR	ACTIVE	TSSOP	DBT	30	2000	Green (RoHS & no Sb/Br)	CU NIPDAU	Level-2-260C-1 YEAR
TPS68000DBTRG4	ACTIVE	TSSOP	DBT	30	2000	Green (RoHS & no Sb/Br)	CU NIPDAU	Level-2-260C-1 YEAR

<sup>(1)</sup> The marketing status values are defined as follows:

**ACTIVE:** Product device recommended for new designs.

**LIFEBUY:** TI has announced that the device will be discontinued, and a lifetime-buy period is in effect.

**NRND:** Not recommended for new designs. Device is in production to support existing customers, but TI does not recommend using this part in a new design.

**PREVIEW:** Device has been announced but is not in production. Samples may or may not be available.

**OBSOLETE:** TI has discontinued the production of the device.

<sup>(2)</sup> Eco Plan - The planned eco-friendly classification: Pb-Free (RoHS), Pb-Free (RoHS Exempt), or Green (RoHS & no Sb/Br) - please check <http://www.ti.com/productcontent> for the latest availability information and additional product content details.

**TBD:** The Pb-Free/Green conversion plan has not been defined.

**Pb-Free (RoHS):** TI's terms "Lead-Free" or "Pb-Free" mean semiconductor products that are compatible with the current RoHS requirements for all 6 substances, including the requirement that lead not exceed 0.1% by weight in homogeneous materials. Where designed to be soldered at high temperatures, TI Pb-Free products are suitable for use in specified lead-free processes.

**Pb-Free (RoHS Exempt):** This component has a RoHS exemption for either 1) lead-based flip-chip solder bumps used between the die and package, or 2) lead-based die adhesive used between the die and leadframe. The component is otherwise considered Pb-Free (RoHS compatible) as defined above.

**Green (RoHS & no Sb/Br):** TI defines "Green" to mean Pb-Free (RoHS compatible), and free of Bromine (Br) and Antimony (Sb) based flame retardants (Br or Sb do not exceed 0.1% by weight in homogeneous material)

<sup>(3)</sup> MSL, Peak Temp. -- The Moisture Sensitivity Level rating according to the JEDEC industry standard classifications, and peak solder temperature.

**Important Information and Disclaimer:**The information provided on this page represents TI's knowledge and belief as of the date that it is provided. TI bases its knowledge and belief on information provided by third parties, and makes no representation or warranty as to the accuracy of such information. Efforts are underway to better integrate information from third parties. TI has taken and continues to take reasonable steps to provide representative and accurate information but may not have conducted destructive testing or chemical analysis on incoming materials and chemicals. TI and TI suppliers consider certain information to be proprietary, and thus CAS numbers and other limited information may not be available for release.

In no event shall TI's liability arising out of such information exceed the total purchase price of the TI part(s) at issue in this document sold by TI to Customer on an annual basis.

**TAPE AND REEL INFORMATION**

**REEL DIMENSIONS**



**TAPE DIMENSIONS**



A0	Dimension designed to accommodate the component width
B0	Dimension designed to accommodate the component length
K0	Dimension designed to accommodate the component thickness
W	Overall width of the carrier tape
P1	Pitch between successive cavity centers

**TAPE AND REEL INFORMATION**

\*All dimensions are nominal

Device	Package Type	Package Drawing	Pins	SPQ	Reel Diameter (mm)	Reel Width W1 (mm)	A0 (mm)	B0 (mm)	K0 (mm)	P1 (mm)	W (mm)	Pin1 Quadrant
TPS68000DBTR	TSSOP	DBT	30	2000	330.0	16.4	6.95	8.3	1.6	8.0	16.0	Q1

**TAPE AND REEL BOX DIMENSIONS**

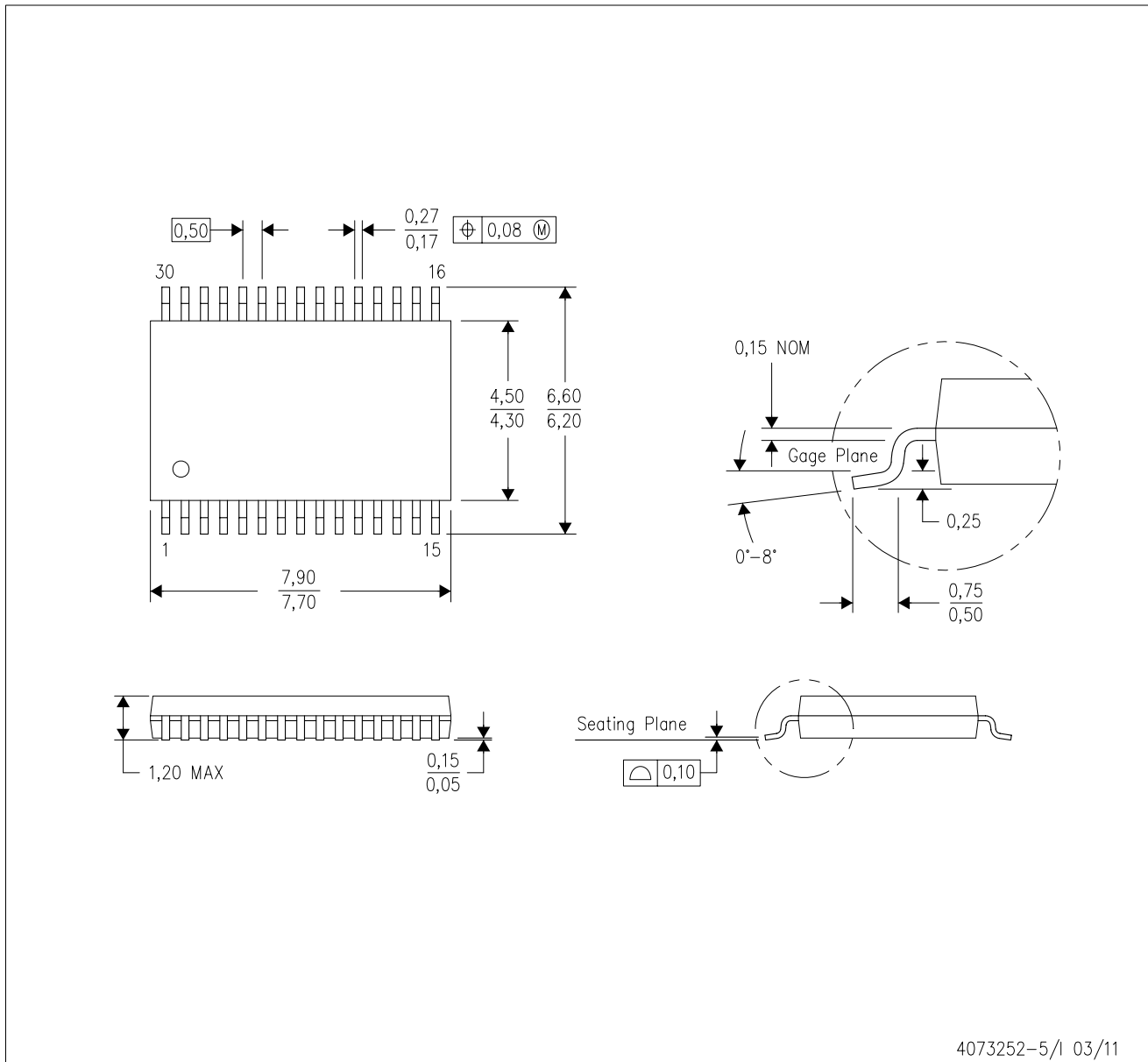


\*All dimensions are nominal

Device	Package Type	Package Drawing	Pins	SPQ	Length (mm)	Width (mm)	Height (mm)
TPS68000DBTR	TSSOP	DBT	30	2000	367.0	367.0	38.0

DBT (R-PDSO-G30)

PLASTIC SMALL OUTLINE



- NOTES:
- A. All linear dimensions are in millimeters. Dimensioning and tolerancing per ASME Y14.5M-1994.
  - B. This drawing is subject to change without notice.
  - C. Body dimensions do not include mold flash or protrusion.
  - D. Falls within JEDEC MO-153.



## IMPORTANT NOTICE

Texas Instruments Incorporated and its subsidiaries (TI) reserve the right to make corrections, enhancements, improvements and other changes to its semiconductor products and services per JESD46C and to discontinue any product or service per JESD48B. Buyers should obtain the latest relevant information before placing orders and should verify that such information is current and complete. All semiconductor products (also referred to herein as "components") are sold subject to TI's terms and conditions of sale supplied at the time of order acknowledgment.

TI warrants performance of its components to the specifications applicable at the time of sale, in accordance with the warranty in TI's terms and conditions of sale of semiconductor products. Testing and other quality control techniques are used to the extent TI deems necessary to support this warranty. Except where mandated by applicable law, testing of all parameters of each component is not necessarily performed.

TI assumes no liability for applications assistance or the design of Buyers' products. Buyers are responsible for their products and applications using TI components. To minimize the risks associated with Buyers' products and applications, Buyers should provide adequate design and operating safeguards.

TI does not warrant or represent that any license, either express or implied, is granted under any patent right, copyright, mask work right, or other intellectual property right relating to any combination, machine, or process in which TI components or services are used. Information published by TI regarding third-party products or services does not constitute a license to use such products or services or a warranty or endorsement thereof. Use of such information may require a license from a third party under the patents or other intellectual property of the third party, or a license from TI under the patents or other intellectual property of TI.

Reproduction of significant portions of TI information in TI data books or data sheets is permissible only if reproduction is without alteration and is accompanied by all associated warranties, conditions, limitations, and notices. TI is not responsible or liable for such altered documentation. Information of third parties may be subject to additional restrictions.

Resale of TI components or services with statements different from or beyond the parameters stated by TI for that component or service voids all express and any implied warranties for the associated TI component or service and is an unfair and deceptive business practice. TI is not responsible or liable for any such statements.

Buyer acknowledges and agrees that it is solely responsible for compliance with all legal, regulatory and safety-related requirements concerning its products, and any use of TI components in its applications, notwithstanding any applications-related information or support that may be provided by TI. Buyer represents and agrees that it has all the necessary expertise to create and implement safeguards which anticipate dangerous consequences of failures, monitor failures and their consequences, lessen the likelihood of failures that might cause harm and take appropriate remedial actions. Buyer will fully indemnify TI and its representatives against any damages arising out of the use of any TI components in safety-critical applications.

In some cases, TI components may be promoted specifically to facilitate safety-related applications. With such components, TI's goal is to help enable customers to design and create their own end-product solutions that meet applicable functional safety standards and requirements. Nonetheless, such components are subject to these terms.

No TI components are authorized for use in FDA Class III (or similar life-critical medical equipment) unless authorized officers of the parties have executed a special agreement specifically governing such use.

Only those TI components which TI has specifically designated as military grade or "enhanced plastic" are designed and intended for use in military/aerospace applications or environments. Buyer acknowledges and agrees that any military or aerospace use of TI components which have **not** been so designated is solely at the Buyer's risk, and that Buyer is solely responsible for compliance with all legal and regulatory requirements in connection with such use.

TI has specifically designated certain components which meet ISO/TS16949 requirements, mainly for automotive use. Components which have not been so designated are neither designed nor intended for automotive use; and TI will not be responsible for any failure of such components to meet such requirements.

### Products

Audio	<a href="http://www.ti.com/audio">www.ti.com/audio</a>
Amplifiers	<a href="http://amplifier.ti.com">amplifier.ti.com</a>
Data Converters	<a href="http://dataconverter.ti.com">dataconverter.ti.com</a>
DLP® Products	<a href="http://www.dlp.com">www.dlp.com</a>
DSP	<a href="http://dsp.ti.com">dsp.ti.com</a>
Clocks and Timers	<a href="http://www.ti.com/clocks">www.ti.com/clocks</a>
Interface	<a href="http://interface.ti.com">interface.ti.com</a>
Logic	<a href="http://logic.ti.com">logic.ti.com</a>
Power Mgmt	<a href="http://power.ti.com">power.ti.com</a>
Microcontrollers	<a href="http://microcontroller.ti.com">microcontroller.ti.com</a>
RFID	<a href="http://www.ti-rfid.com">www.ti-rfid.com</a>
OMAP Mobile Processors	<a href="http://www.ti.com/omap">www.ti.com/omap</a>
Wireless Connectivity	<a href="http://www.ti.com/wirelessconnectivity">www.ti.com/wirelessconnectivity</a>

### Applications

Automotive and Transportation	<a href="http://www.ti.com/automotive">www.ti.com/automotive</a>
Communications and Telecom	<a href="http://www.ti.com/communications">www.ti.com/communications</a>
Computers and Peripherals	<a href="http://www.ti.com/computers">www.ti.com/computers</a>
Consumer Electronics	<a href="http://www.ti.com/consumer-apps">www.ti.com/consumer-apps</a>
Energy and Lighting	<a href="http://www.ti.com/energy">www.ti.com/energy</a>
Industrial	<a href="http://www.ti.com/industrial">www.ti.com/industrial</a>
Medical	<a href="http://www.ti.com/medical">www.ti.com/medical</a>
Security	<a href="http://www.ti.com/security">www.ti.com/security</a>
Space, Avionics and Defense	<a href="http://www.ti.com/space-avionics-defense">www.ti.com/space-avionics-defense</a>
Video and Imaging	<a href="http://www.ti.com/video">www.ti.com/video</a>

**TI E2E Community** [e2e.ti.com](http://e2e.ti.com)