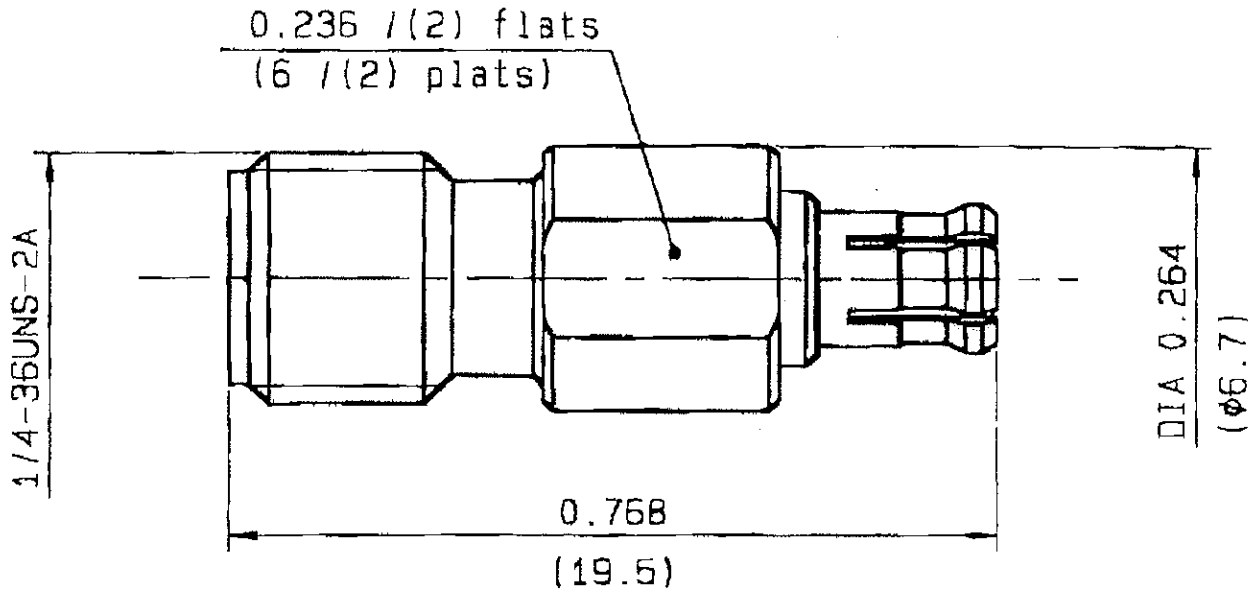


**SMA FEMALE - R-MCX FEMALE
STRAIGHT ADAPTER PACK.100**

R191.976.020
SERIES ADAPT



NOMINAL IMPEDANCE	50	Ω
FREQUENCY RANGE	0-6	GHz
TEMPERATURE RATING	-65/+155	°C
V.S.W.R	1.10 +	x F(GHz)Max1
RF INSERTION LOSS	0.05 √F(GHz)	dB Max1
VOLTAGE RATING	100	Veff Max1
DIELECTRIC WITHSTANDING VOLTAGE	350	Veff Mini
INSULATION RESISTANCE	5000	M Ω Mini
HERMETIC SEAL	NA	Atm.cm ³ /s
LEAKAGE (pressurized only)	NA	
MECHANICAL DURABILITY	5000	Cycles
WEIGHT	0.0899	Oz
SPECIFICATION		

CABLES :

OTHERS CHARACTERISTICS

CABLE RETENTION	0	lb Mini
CENTER CONTACT RETENTION		
Axial force - mating end	6.06	lb Mini
Axial force - opposite end	6.06	lb Mini
Torque	3.96	Inch.oz
RECOMMENDED TORQUES		
Mating	NA	Inch.lb
Panel nut	NA	Inch.lb
Clamp nut	NA	Inch.lb

CONNECTOR PARTS:	MATERIALS	FINISH	(all values are given) in microminch
BODY	BRASS	BR 80	
OUTER CONTACT	BERYLLIUM COPPER	TIN NICKEL	
CENTER CONTACT	BERYLLIUM COPPER	GOLD 50 OVER NICKEL 80	
INSULATOR	PTFE	-	
GASKET		-	
OTHERS PIECES		-	

ISSUE	CREATION DATE	FILE PART-NUMBER
0430A01	16-OCT-96	96-0400-534



RADIALL®

The information given here is subject to change without notice.
Design changes may be in order to improve the product.

Connect to the future