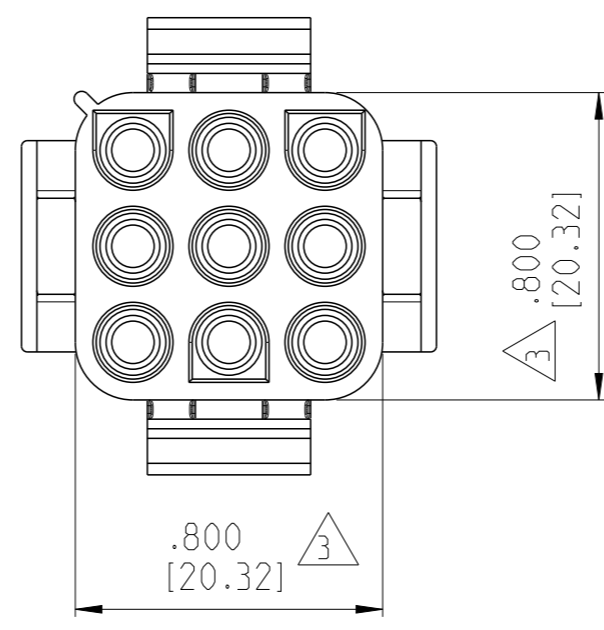
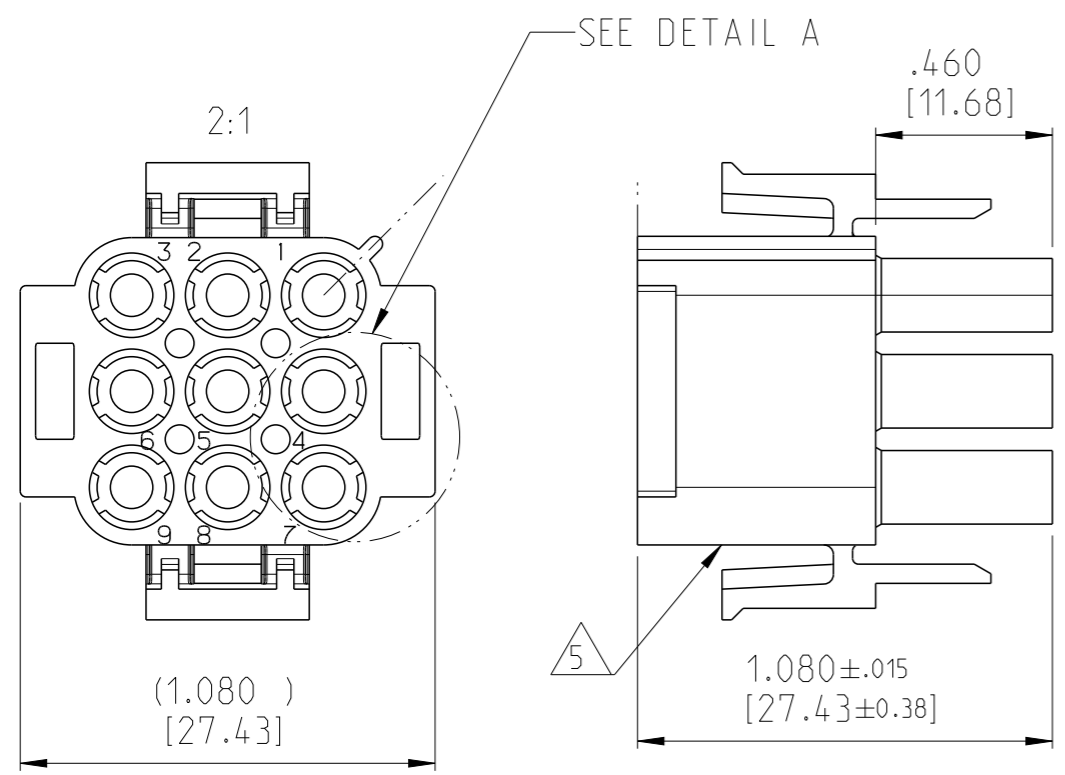


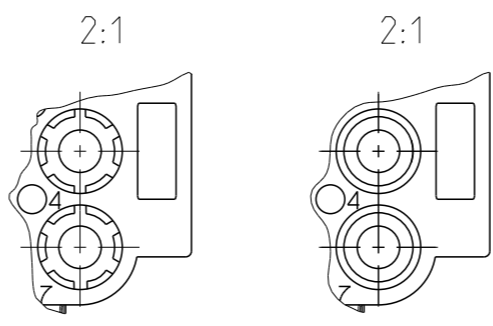
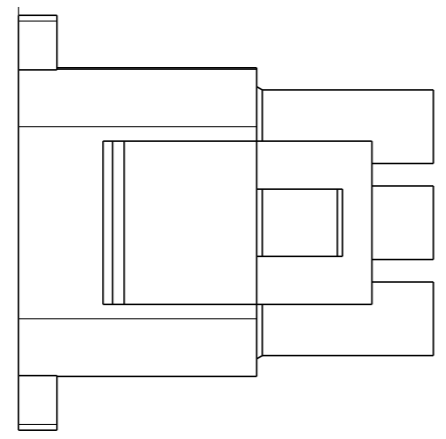
THIS DRAWING IS UNPUBLISHED
 RELEASED FOR PUBLICATION
 2009
 © COPYRIGHT 2009 BY - ALL RIGHTS RESERVED.

LOC	DIST	REVISIONS					
		P	LTR	DESCRIPTION	DATE	DWN	APVD
IR	-		A1	ECR-10-004478	11MAR2010	SRE	PCH
			A2	ECR-13-010044	24JUN2013	MGT	R.P
			A3	ECR-14-001256	21FEB2014	KKB	RRP
			A4	ECR-14-002737	24FEB2014	KKB	RRP

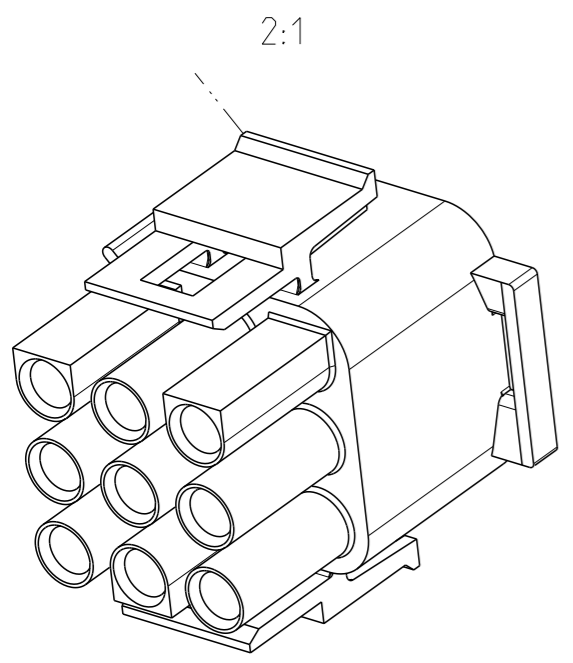


- MATES WITH APPROPRIATE UNIVERSAL MATE-N-LOCK CAP OR HEADER
- SMALL NICKS ARE PERMITTED ON THE CIRCUIT TOWERS WHICH COULD INCREASE THE INITIAL HOUSING MATING FORCE BY UPTO 4.4N [1.0 LBS]. NO INDIVIDUAL NICKED TOWER SHALL INCREASE THIS FORCE BY OVER 2.2N [.5LBS]

- 3 DIMENSION INDICATED IS AS MOULDED, ADDITIONAL GROWTH DUE TO SUBSEQUENT MOISTURE ABSORPTION MAY OCCUR
- 4 FOUR RIBS EQUALLY SPACED, NO SPECIFIC ORIENTATION, NO RIBS OR SIX RIBS EQUALLY SPACED, NO SPECIFIC ORIENTATION, OPTIONAL
- 5 UNDERWRITERS RECOGNIZED COMPONENT LOGO AND CSA CERTIFICATION LOGO TO BE LOCATED ONCE ON EACH SIDE OF HOUSING
- 6 NYLON, UL94V-2
- 7 MATERIAL CORRESPONDING TO THE REQUIREMENTS OF IEC 60335 (INCL. GLOW WIRE TEST 750°C WITHOUT FLAME)
- 8 PRELIMINARY PART NOT RELEASED FOR PRODUCTION



DETAIL A
 OPTIONAL CONSTRUCTION



7	NATURAL	PA66 UL94-V0 GWT 750 °C	1-1863003-2	3
8	NATURAL	PA6 UL94-V0	1-1863003-1	2
7 6	NATURAL	PA6 UL94-V2	1863003-1	1
REMARK	COLOUR	MATERIAL	PART No	SL No

THIS DRAWING IS A CONTROLLED DOCUMENT.		DWN J. SALO 29NOV2007	TE Connectivity			
DIMENSIONS: INCH [mm]		CHK J. LAZARO 29NOV2007				
		APVD L. BATLLO 29NOV2007				
TOLERANCES UNLESS OTHERWISE SPECIFIED:		PRODUCT SPEC	NAME PLUG. 9 CIRCUIT UNIVERSAL MATE N LOCK			
0 PLC ± 1 PLC ± 2 PLC ±0.13 [.005] 3 PLC ± 4 PLC ± ANGLES ±0.5° FINISH -		APPLICATION SPEC	SIZE A3	CAGE CODE 00779	DRAWING NO C-1863003	RESTRICTED TO
MATERIAL SEE TABLE		WEIGHT -	SCALE 1:1		SHEET 1 OF 1	REV A4
CUSTOMER DRAWING						