

## 56-pin CK505 for Intel Desktop Systems

## ICS9LP525-2

### Recommended Application:

CK505 clock, 56-pin Intel Yellow Cover part

### Output Features:

- 2 - CPU differential low power push-pull pairs
- 7- SRC differential low power push-pull pairs
- 1 - CPU/SRC selectable differential low power push-pull pair
- 1 - SRC/DOT selectable differential low power push-pull pair
- 5 - PCI, 33MHz
- 1 - PCI\_F, 33MHz free running
- 1 - USB, 48MHz
- 1 - REF, 14.318MHz

### Key Specifications:

- CPU outputs cycle-cycle jitter < 85ps
- SRC output cycle-cycle jitter < 125ps
- PCI outputs cycle-cycle jitter < 250ps
- +/- 100ppm frequency accuracy on all outputs
- SRC are PCIe Gen2 compliant

### Features/Benefits:

- Supports spread spectrum modulation, default is 0.5% down spread
- Uses external 14.318MHz crystal, external crystal load caps are required for frequency tuning
- Selectable SRC differential push-pull pair/two single ended outputs

**Table 1: CPU Frequency Select Table**

FS <sub>L</sub> C <sup>2</sup> B0b7	FS <sub>L</sub> B <sup>1</sup> B0b6	FS <sub>L</sub> A <sup>1</sup> B0b5	CPU MHz	SRC MHz	PCI MHz	REF MHz	USB MHz	DOT MHz
0	0	0	266.66	100.00	33.33	14.318	48.00	96.00
0	0	1	133.33					
0	1	0	200.00					
0	1	1	166.66					
1	0	0	333.33					
1	0	1	100.00					
1	1	0	400.00					
1	1	1	Reserved					

1. FS<sub>L</sub>A and FS<sub>L</sub>B are low-threshold inputs. Please see V<sub>IL,FS</sub> and V<sub>IH,FS</sub> specifications in the Input/Supply/Common Output Parameters Table for correct values.

Also refer to the Test Clarification Table.

2. FS<sub>L</sub>C is a three-level input. Please see the V<sub>IL,FS</sub> and V<sub>IH,FS</sub> specifications in the Input/Supply/Common Output Parameters Table for correct values.

### Pin Configuration

PCI0/CR#_A	1	56	SCLK
VDDPCI	2	55	SDATA
PCI1/CR#_B	3	54	REF0/FSLC/TEST_SEL
PCI2/TME	4	53	VDDREF
PCI3/CFG0	5	52	X1
PCI4/SRC5_EN	6	51	X2
PCI_F5/ITP_EN	7	50	GNDREF
GNDPCI	8	49	FSLB/TEST_MODE
VDD48	9	48	CK_PWRGD/PD#
USB_48MHz/FSLA	10	47	VDDCPU
GND48	11	46	CPUT0
VDD96_IO	12	45	GPUC0
DOTT_96/SRCT0	13	44	GNDCPU
DOTC_96/SRCC0	14	43	CPUT1_F
GND	15	42	CPUC1_F
VDD	16	41	VDDCPU_IO
SRCT1/SE1	17	40	VOUT
SRCC1/SE2	18	39	CPUT2_ITP/SRCT8
GND	19	38	CPUC2_ITP/SRCC8
VDDPLL3_IO	20	37	VDDSRC_IO
SRCT2/SATAT	21	36	SRCT7/CR#_F
SRCC2/SATAC	22	35	SRCC7/CR#_E
GNDSRC	23	34	GNDSRC
SRCT3/CR#_C	24	33	SRCT6
SRCC3/CR#_D	25	32	SRCC6
VDDSRC_IO	26	31	VDDSRC
SRCT4	27	30	PCI_STOP#/SRCT5
SRCC4	28	29	CPU_STOP#/SRCC5

56-SSOP & TSSOP

## Pin Description

PIN #	PIN NAME	TYPE	DESCRIPTION
1	PCI0/CR#_A	I/O	3.3V PCI clock output or Clock Request control A for either SRC0 or SRC2 pair The power-up default is PCI0 output, but this pin may also be used as a Clock Request control of SRC pair 0 or SRC pair 2 via SMBus. Before configuring this pin as a Clock Request Pin, the PCI output must first be disabled in byte 2, bit 0 of SMBus address space. After the PCI output is disabled (high-Z), the pin can then be set to serve as a Clock Request pin for either SRC pair 2 or pair 0 using the CRA#_EN bit located in byte 5 of SMBUs address space. Byte 5, bit 7 0 = PCI0 enabled (default) 1 = CRA# enabled. Byte 5, bit 6 controls whether CRA# controls SRC0 or SRC2 pair Byte 5, bit 6 0 = CRA# controls SRC0 pair (default), 1 = CRA# controls SRC2 pair
2	VDDPCI	PWR	Power supply for PCI clocks, nominal 3.3V
3	PCI1/CR#_B	I/O	3.3V PCI clock output/Clock Request control B for either SRC1 or SRC4 pair The power-up default is PCI1 output, but this pin may also be used as a Clock Request control of SRC pair 1 or SRC pair 4 via SMBus. Before configuring this pin as a Clock Request Pin, the PCI output must first be disabled in byte 2, bit 1 of SMBus address space. After the PCI output is disabled (high-Z), the pin can then be set to serve as a Clock Request pin for either SRC pair 1 or pair 4 using the CRB#_EN bit located in byte 5 of SMBUs address space. Byte 5, bit 5 0 = PCI1 enabled (default) 1 = CRB# enabled. Byte 5, bit 6 controls whether CRB# controls SRC1 or SRC4 pair Byte 5, bit 4 0 = CRB# controls SRC1 pair (default) 1 = CRB# controls SRC4 pair
4	PCI2/TME	I/O	3.3V PCI clock output / Trusted Mode Enable(TME) Latched Input. This pin is sampled on power-up as follows 0=Overclocking of CPU and SRC allowed 1=Overclocking of CPU and SRC NOT allowed After being sampled on power-up, this pin becomes a 3.3V PCI Output
5	PCI3/CFG0	I/O	3.3V PCI clock output/Configuration Strap. See PCI3 Configuration Table for more information
6	PCI4/SRC5_EN	I/O	3.3V PCI clock output / SRC5 pair or PCI_STOP#/CPU_STOP# enable strap. On powerup, the logic value on this pin determines if the SRC5 pair is enabled or if CPU_STOP#/PCI_STOP# is enabled (pins 29 and 30). The latched value controls the pin function on pins 29 and 30 as follows 0 = PCI_STOP#/CPU_STOP# 1 = SRC5/SRC5#
7	PCI_F5/ITP_EN	I/O	Free running PCI clock output and ITP/SRC8 enable strap. This output is not affected by the state of the PCI_STOP# pin. On powerup, the state of this pin determines whether pins 38 and 39 are an ITP or SRC pair. 0 =SRC8/SRC8# 1 = ITP/ITP#
8	GNDPCI	PWR	Ground pin for the PCI outputs
9	VDD48	PWR	Power pin for the 48MHz output and PLL.3.3V
10	USB_48MHz/FSLA	I/O	3.3V tolerant input for CPU frequency selection. Refer to input electrical characteristics for Vil_FS and Vih_FS values. / Fixed 48MHz USB clock output. 3.3V.
11	GND48	PWR	Ground pin for the 48MHz outputs
12	VDD96_IO	PWR	Power supply for DOT96 clocks, nominal 0.8V from source/emitter of external pass transistor.
13	DOTT_96/SRCT0	OUT	True clock of low power differential SRC or DOT96. The power-up default function is SRC0. After powerup, this pin function may be changed to DOT96 via SMBus Byte 1, bit 7 as follows: 0= SRC0 1=DOT96
14	DOTC_96/SRCC0	OUT	Complement clock of low power differential SRC or DOT96. The power-up default function is SRC0#. After powerup, this pin function may be changed to DOT96# via SMBus Byte 1, bit 7 as follows 0= SRC0# 1=DOT96#
15	GND	PWR	Ground pin.
16	VDD	PWR	Power supply, nominal 3.3V
17	SRCT1/SE1	OUT	True clock of low power differential SRC1 clock pair / 3.3V single-ended output. The powerup default is 100 MHz SRC, -0.5% downspread. The pin function may be changed via SMBus B1b[4:1]
18	SRCC1/SE2	OUT	Complement clock of push-pull differential SRC1 clock pair / 3.3V single-ended output. The powerup default is 100 MHz SRC, -0.5% downspread. The pin function may be changed via SMBus B1b[4:1]
19	GND	PWR	Ground pin.
20	VDDPLL3_IO	PWR	Power supply for PLL3. 0.8V nominal from source/emitter of external pass transistor
21	SRCT2/SATAT	OUT	True clock of low power differential SRC/SATA clock pair.
22	SRCC2/SATAC	OUT	Complement clock of differential push-pull SRC/SATA clock pair.
23	GNDSRC	PWR	Ground pin for the SRC outputs

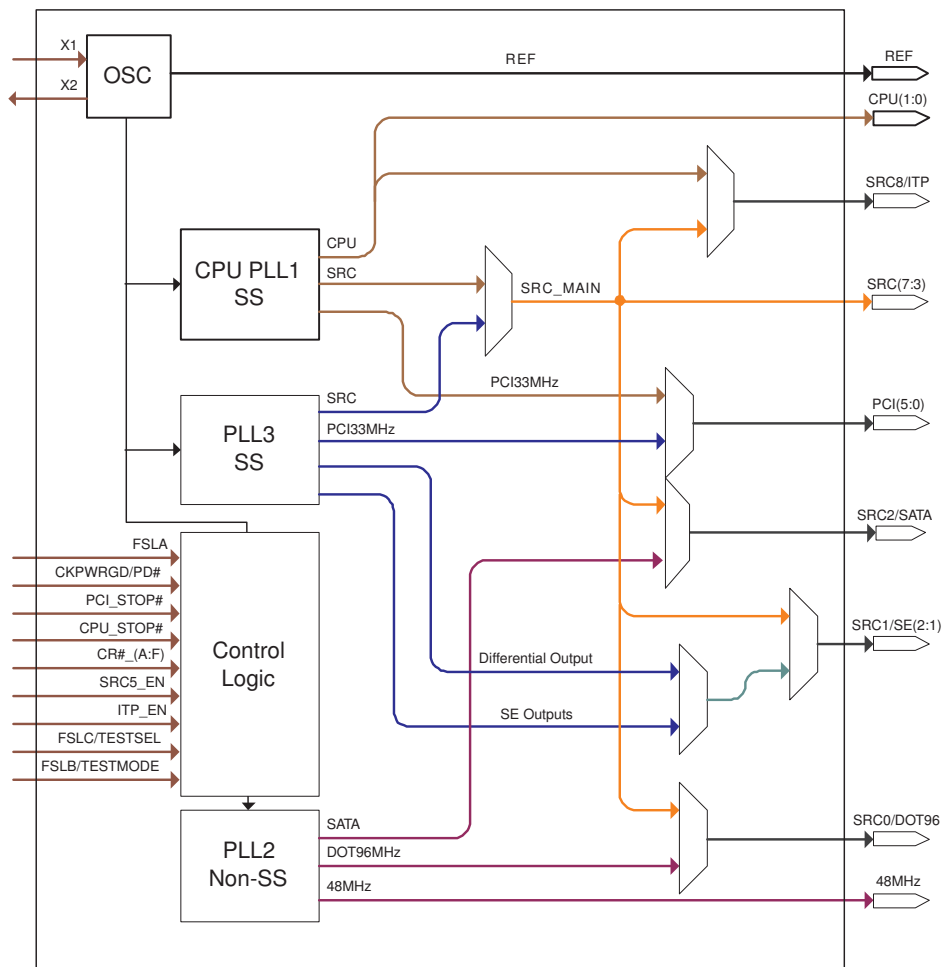
Pin Description (continued)

PIN #	PIN NAME	TYPE	DESCRIPTION
25	SRCC3/CR#_D	I/O	Complementary clock of differential SRC clock pair/ Clock Request control D for either SRC1 or SRC4 pair The power-up default is SRCCLK3 output, but this pin may also be used as a Clock Request control of SRC pair 1 or SRC pair 4 via SMBus. Before configuring this pin as a Clock Request Pin, the SRC output must first be disabled in byte 4, bit 7 of SMBus address space. After the SRC output is disabled, the pin can then be set to serve as a Clock Request pin for either SRC pair 1 or pair 4 using the CRD#_EN bit located in byte 5 of SMBUS address space. Byte 5, bit 1 0 = SRC3 enabled (default) 1 = CRD# enabled. Byte 5, bit 0 controls whether CRD# controls SRC1 or SRC4 pair Byte 5, bit 0 0 = CRD# controls SRC1 pair (default), 1 = CRD# controls SRC4 pair
26	VDDSRC_IO	PWR	Power supply for SRC clocks. 0.8V nominal from source/emitter of external pass transistor
27	SRCT4	OUT	True clock of low power differential SRC clock pair.
28	SRCC4	OUT	Complement clock of low power differential SRC clock pair.
29	CPU_STOP#/SRCC5	I/O	Ref, XTAL power supply, nominal 3.3V
30	PCI_STOP#/SRCT5	I/O	Stops all PCICLKs at logic 0 level, when low. Free running PCICLKs are not effected by this input. / True clock of differential push-pull SRC pair.
31	VDDSRC	PWR	Supply for SRC PLL, 3.3V nominal
32	SRCC6	OUT	Complement clock of low power differential SRC clock pair.
33	SRCT6	OUT	True clock of low power differential SRC clock pair.
34	GNDSRC	PWR	Ground pin for the SRC outputs
35	SRCC7/CR#_E	I/O	Complement clock of differential push-pull SRC clock pair. / Clock Request control E for SRC6 pair. The power-up default is SRC7#, but this pin may also be used as a Clock Request control of SRC6 via SMBus. Before configuring this pin as a Clock Request Pin, the SRC7 output pair must first be disabled in byte 3, bit 3 of SMBus configuration space. After the SRC output is disabled (high-Z), the pin can then be set to serve as a Clock Request for SRC6 pair using byte 6, bit 7 of SMBus configuration space Byte 6, bit 7 0 = SRC7# enabled (default) 1 = CRE# enabled.
36	SRCT7/CR#_F	I/O	True clock of differential push-pull SRC clock pair/ Clock Request control 8 for SRC8 pair The power-up default is SRC7, but this pin may also be used as a Clock Request control of SRC8 via SMBus. Before configuring this pin as a Clock Request Pin, the SRC7 output pair must first be disabled in byte 3, bit 3 of SMBus configuration space After the SRC output is disabled (high-Z), the pin can then be set to serve as a Clock Request for SRC8 pair using byte 6, bit 6 of SMBus configuration space. Byte 6, bit 6 0 = SRC7# enabled (default) 1 = CRF# enabled.
37	VDDSRC_IO	PWR	Power supply for SRC clocks. 0.8V nominal from source/emitter of external pass transistor
38	CPUC2_ITP/SRCC8	OUT	Complement clock of low power differential CPU2/Complement clock of differential SRC pair. The function of this pin is determined by the latched input value on pin 7, PCIF5/ITP_EN on powerup. The function is as follows: Pin 7 latched input Value 0 = SRC8# 1 = ITP#
39	CPUC2_ITP/SRCT8	OUT	True clock of low power differential CPU2/True clock of differential SRC pair. The function of this pin is determined by the latched input value on pin 7, PCIF5/ITP_EN on powerup. The function is as follows: Pin 7 latched input Value 0 = SRC8 1 = ITP
40	VOUT	PWR	OP Amp comparator output. This pin drives the base/gate of the external pass transistor
41	VDDCPU_IO	PWR	Supply for CPU clocks. 0.8V nominal from source/emitter of external pass transistor
42	CPUC1_F	OUT	Complementary clock of low power differential push-pull CPU output. This CPU clock is free running during iAMT.
43	CPUC1_F	OUT	True clock of differential push-pull CPU clock pair. This clock is free running during iAMT.
44	GNDCPU	PWR	Ground pin for the CPU outputs
45	CPUC0	OUT	Complement clock of low power differential CPU clock pair.
46	CPUC0	OUT	True clock of low power differential CPU clock pair.
47	VDDCPU	PWR	Supply for CPU PLL, 3.3V nominal
48	CK_PWRGD/PD#	IN	Notifies CK505 to sample latched inputs, or iAMT entry/exit, or PWRDWN# mode
49	FSLB/TEST_MODE	IN	3.3V tolerant input for CPU frequency selection. Refer to input electrical characteristics for Vil_FS and Vih_FS values. TEST_MODE is a real time input to select between Hi-Z and REF/N divider mode while in test mode. Refer to Test Clarification Table.
50	GNDREF	PWR	Ground pin for the REF outputs.
51	X2	OUT	Crystal output, Nominally 14.318MHz
52	X1	IN	Crystal input, Nominally 14.318MHz.
53	VDDREF	PWR	Ref, XTAL power supply, nominal 3.3V
54	REF0/FSLC/TEST_SEL	I/O	14.318 MHz reference clock./3.3V tolerant input for CPU frequency selection. Refer to input electrical characteristics for Vil_FS and Vih_FS values. /TEST_Sel: 3-level latched input to enable test mode. Refer to Test Clarification Table
55	SDATA	I/O	Data pin for SMBus circuitry, 5V tolerant.
56	SCLK	IN	Clock pin of SMBus circuitry, 5V tolerant.

## General Description

ICS9LP525-2 is compliant Intel CK505 Yellow Cover specification. This clock synthesizer provides a single chip solution for Intel desktop chipsets. ICS9LP525-2 is driven with a 14.318MHz crystal. It also provides a tight ppm accuracy output for Serial ATA and PCI-Express support.

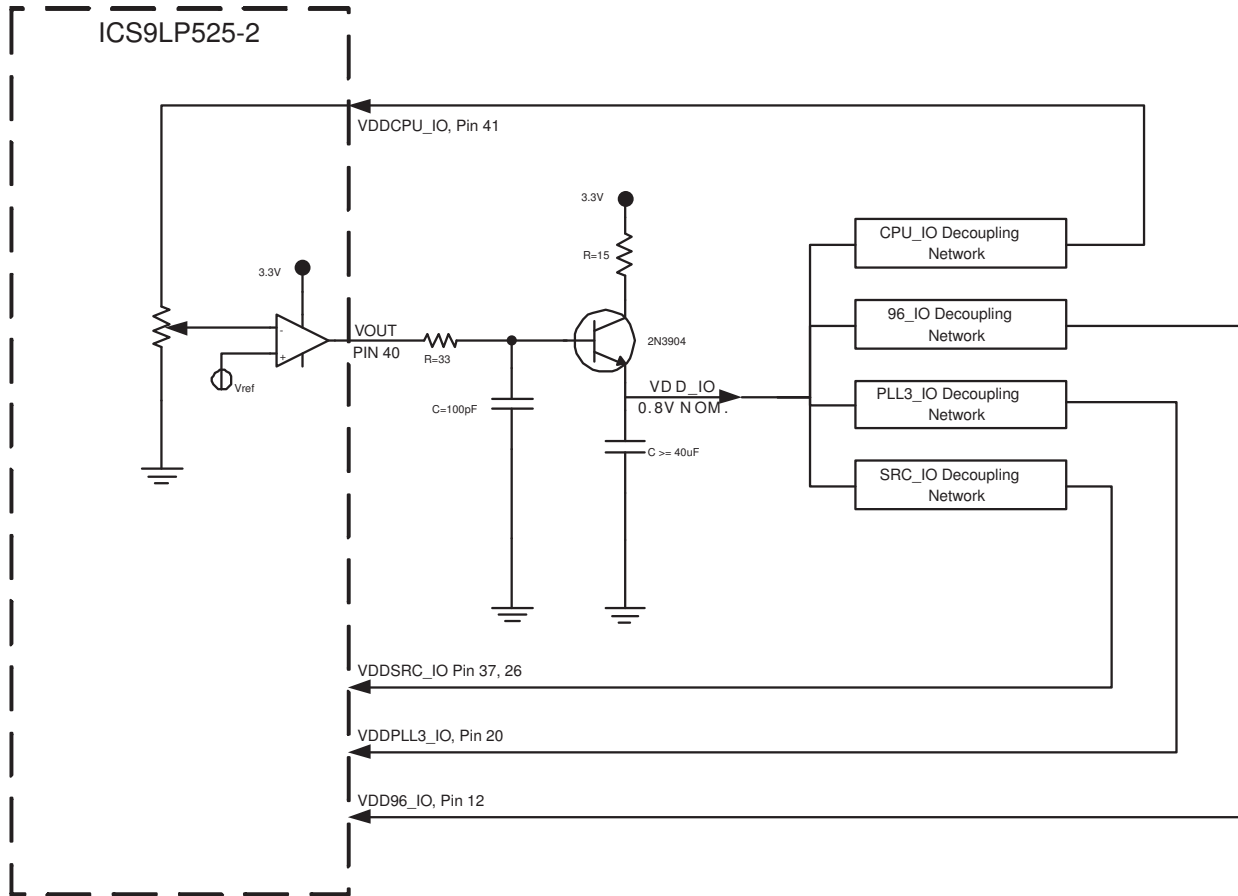
## Block Diagram



## Power Groups

Pin Number		Description
VDD	GND	
41, 47	44	CPUCLK
16	15	Master Clock, Analog
26, 31, 37	23, 34	SRCCLK
20	19	PLL3/SE
12	11	DOT 96Mhz
9	11	USB 48
53	50	Xtal, REF
2	8	PCICLK

### External Pass Transistor Connection for Desktop Applications



**ICS9LP525-2**  
**PC MAIN CLOCK**

**Absolute Maximum Ratings - DC Parameters**

PARAMETER	SYMBOL	CONDITIONS	MIN	MAX	UNITS	Notes
Maximum Supply Voltage	VDDxxx	Supply Voltage		4.6	V	7
Maximum Supply Voltage	VDDxxx_IO	Low-Voltage Differential I/O Supply		3.8	V	7
Maximum Input Voltage	V <sub>IH</sub>	3.3V Inputs		4.6	V	4,5,7
Minimum Input Voltage	V <sub>IL</sub>	Any Input	GND - 0.5		V	4,7
Case Temperature	T <sub>case</sub>			115	°C	
Storage Temperature	T <sub>s</sub>	-	-65	150	°C	4,7
Input ESD protection	ESD prot	Human Body Model	2000		V	6,7

<sup>1</sup>Guaranteed by design and characterization, not 100% tested in production.

<sup>2</sup>Operation under these conditions is neither implied, nor guaranteed.

**Electrical Characteristics - Input/Supply/Common Output DC Parameters**

PARAMETER	SYMBOL	CONDITIONS	MIN	MAX	UNITS	Notes
Ambient Operating Temp	T <sub>ambient</sub>	-	0	70	°C	
Supply Voltage	VDDxxx	Supply Voltage	3.135	3.465	V	
Supply Voltage	VDDxxx_IO	Low-Voltage Differential I/O Supply	0.72	0.9	V	10
Input High Voltage	V <sub>IHSE</sub>	Single-ended 3.3V inputs	2	V <sub>DD</sub> + 0.3	V	3
Input Low Voltage	V <sub>ILSE</sub>	Single-ended 3.3V inputs	V <sub>SS</sub> - 0.3	0.8	V	3
Low Threshold Input-High Voltage	V <sub>IH_FS_TEST</sub>	3.3 V +/-5%	2	VDD + 0.3	V	8
Low Threshold Input-FSC = '1' Voltage	V <sub>IH_FS_FSC</sub>	3.3 V +/-5%	0.7	1.5	V	8
Low Threshold Input-FSA,FSB = '1' Voltage	V <sub>IH_FS_FSAB</sub>	3.3 V +/-5%	0.7	VDD+0.3	V	
Low Threshold Input-Low Voltage	V <sub>IL_FS</sub>	3.3 V +/-5%	V <sub>SS</sub> - 0.3	0.35	V	
PCI3/CFG0 Input	V <sub>IL_CFGHI</sub>	Optional input, 2.75V typ.	2.4	VDD+0.3	V	9
PCI3/CFG0 Input	V <sub>IL_CFGMID</sub>	Optional input, 1.65V typ.	1.3	2	V	9
PCI3/CFG0 Input	V <sub>IL_CFGLO</sub>	Optional input, 0.55V typ.	V <sub>SS</sub> - 0.3	0.9	V	9
Input Leakage Current	I <sub>IN</sub>	V <sub>IN</sub> = V <sub>DD</sub> , V <sub>IN</sub> = GND	-5	5	uA	2
Input Leakage Current	I <sub>INRES</sub>	Inputs with pull up or pull down resistors V <sub>IN</sub> = V <sub>DD</sub> , V <sub>IN</sub> = GND	-200	200	uA	
Output High Voltage	V <sub>OHSE</sub>	Single-ended outputs, I <sub>OH</sub> = -1mA	2.4		V	1
Output Low Voltage	V <sub>OLSE</sub>	Single-ended outputs, I <sub>OL</sub> = 1 mA		0.4	V	1
Operating Supply Current	I <sub>DDOP3.3</sub>	Full Active, C <sub>L</sub> = Full load; I <sub>DD</sub> 3.3V		200	mA	
	I <sub>DDOPIO</sub>	Full Active, C <sub>L</sub> = Full load; IDD IO		70	mA	10
iAMT Mode Current	I <sub>DDIAMT3.3</sub>	M1 mode, 3.3V Rail		80	mA	
	I <sub>DDIAMTIO</sub>	M1 Mode, IO Rail		10	mA	
Powerdown Current	I <sub>DDPD3.3</sub>	Power down mode, 3.3V Rail		5	mA	
	I <sub>DDPDIO</sub>	Power down mode, IO Rail		0.1	mA	10
Input Frequency	F <sub>i</sub>	V <sub>DD</sub> = 3.3 V		15	MHz	
Pin Inductance	L <sub>pin</sub>			7	nH	
Input Capacitance	C <sub>IN</sub>	Logic Inputs	1.5	5	pF	
	C <sub>OUT</sub>	Output pin capacitance		6	pF	
	C <sub>INX</sub>	X1 & X2 pins		6	pF	
Clk Stabilization	T <sub>STAB</sub>	From VDD Power-Up or de-assertion of PD to 1st clock		1.8	ms	
Tdrive_CR_off	T <sub>DRCROFF</sub>	Output stop after CR deasserted		400	ns	
Tdrive_CR_on	T <sub>DRCRON</sub>	Output run after CR asserted		0	us	
Tdrive_CPU	T <sub>DRSRC</sub>	CPU output enable after PCI_STOP# de-assertion		10	ns	
Tfall_SE	T <sub>FALL</sub>	Fall/rise time of all 3.3V control inputs from 20-80%		10	ns	
Trise_SE	T <sub>RISE</sub>			10	ns	
SMBus Voltage	V <sub>DD</sub>		2.7	5.5	V	
Low-level Output Voltage	V <sub>OLSMB</sub>	@ I <sub>PULLUP</sub>		0.4	V	
Current sinking at V <sub>OLSMB</sub> = 0.4 V	I <sub>PULLUP</sub>	SMB Data Pin	4		mA	
SCLK/SDATA Clock/Data Rise Time	T <sub>RI2C</sub>	(Max V <sub>IL</sub> - 0.15) to (Min V <sub>IH</sub> + 0.15)		1000	ns	
SCLK/SDATA Clock/Data Fall Time	T <sub>FI2C</sub>	(Min V <sub>IH</sub> + 0.15) to (Max V <sub>IL</sub> - 0.15)		300	ns	
Maximum SMBus Operating Frequency	F <sub>SMBUS</sub>			100	kHz	
Spread Spectrum Modulation Frequency	f <sub>SSMOD</sub>	Triangular Modulation	30	33	kHz	

**NOTES on DC Parameters: (unless otherwise noted, guaranteed by design and characterization, not 100% tested in production).**

- <sup>1</sup>Signal is required to be monotonic in this region.
- <sup>2</sup>input leakage current does not include inputs with pull-up or pull-down resistors
- <sup>3</sup> 3.3V referenced inputs are: PCI\_STOP#, CPU\_STOP#, TME, SRC5\_EN, ITP\_EN, SCLKL, SDATA, TESTMODE, TESTSEL, CKPWRGD and CR# inputs if selected.
- <sup>4</sup> Intentionally blank
- <sup>5</sup> Maximum VIH is not to exceed VDD
- <sup>6</sup> Human Body Model
- <sup>7</sup> Operation under these conditions is neither implied, nor guaranteed.
- <sup>8</sup> Frequency Select pins which have tri-level input
- <sup>9</sup> PCI3/CFG0 is optional
- <sup>10</sup> If present. Not all parts have this feature.

**AC Electrical Characteristics - Low Power Differential Outputs**

PARAMETER	SYMBOL	CONDITIONS	MIN	MAX	UNITS	NOTES
Rising Edge Slew Rate	tSLR	Averaging on	2.5	4	V/ns	2, 3
Falling Edge Slew Rate	tFLR	Averaging on	2.5	4	V/ns	2, 3
Slew Rate Variation	tSLVAR	Averaging on		20	%	1, 10
Differential Voltage Swing	VSWING	Averaging off	300		mV	2
Crossing Point Voltage	VXABS	Averaging off	300	550	mV	1,4,5
Crossing Point Variation	VXABSVAR	Averaging off		140	mV	1,4,9
Maximum Output Voltage	VHIGH	Averaging off		1150	mV	1,7
Minimum Output Voltage	VLOW	Averaging off	-300		mV	1,8
Duty Cycle	DCYC	Averaging on	45	55	%	2
CPU Skew	CPUSKEW	Averaging on		100	ps	
CPU[1:0] Skew	CPUSKEW10	Differential Measurement		100	ps	1
CPU[2 :ITP:0] Skew	CPUSKEW20	Differential Measurement		150	ps	1
SRC[10:0] Skew	SRCSKEW	Differential Measurement		3000	ps	1,6,11

**NOTES on DIF Output AC Specs: (unless otherwise noted, guaranteed by design and characterization, not 100% tested in production).**

- <sup>1</sup>Measurement taken for single ended waveform on a component test board (not in system)
- <sup>2</sup>Measurement taken from differential waveform on a component test board. (not in system)
- <sup>3</sup> Slew rate emasured through V\_swing voltage range centered about differential zero
- <sup>4</sup> Vcross is defined at the voltage where Clock = Clock#, measured on a component test board (not in system)
- <sup>5</sup> Only applies to the differential rising edge (Clock rising, Clock# falling)
- <sup>6</sup> Total distributed intentional SRC to SRC skew. PCIe Gen2 outputs (SRC3, 4, 6 and 7) will have 0 nominal skew. Maximum allowable interpair skew is 150 ps.
- <sup>7</sup> The max voltage including overshoot.
- <sup>8</sup> The min voltage including undershoot.
- <sup>9</sup> The total variation of all Vcross measurements in any particular system. Note this is a subset of V\_cross min/mas (V\_Cross absolute) allowed. The intent is to limit Vcross induced modulation by setting C\_cross\_delta to be smaller than V\_Cross absolute.
- <sup>10</sup> Matching applies to rising edge rate for Clock and falling edge rate for Clock#. It is measured using a +/-75mV window centered on the average cross point where Clock rising meets Clock# falling. The median cross point is used to calculate the voltage thresholds the oscilloscope is to use for the edge rate calculations.
- <sup>11</sup> For PCIe Gen2 compliant devices, SRC 3, 4, 6, and 7 will have 0 ps nominal skew.

**Clock Jitter Specs - Low Power Differential Outputs**

PARAMETER	SYMBOL	CONDITIONS	MIN	MAX	UNITS	NOTES
CPU Jitter - Cycle to Cycle	CPUJC2C	Differential Measurement		85	ps	1
SRC Jitter - Cycle to Cycle	SRCJC2C	Differential Measurement		125	ps	1,2
DOT Jitter - Cycle to Cycle	DOTJC2C	Differential Measurement		250	ps	1

**NOTES on DIF Output Jitter: (unless otherwise noted, guaranteed by design and characterization, not 100% tested in production).**

- <sup>1</sup>Jitter specs are specified as measured on a clock characterization board. System designers need to take special care not to use these numbers, as the in-system performance will be somewhat degraded. The receiver EMTS (chispet or CPU) will have the receiver jitter specs as measured in a real system.
- <sup>2</sup> Phase jitter requirement: The designated Ge2 outputs will meet the reference clock jitter requirements from the PCI Express Gen2 Base Spec. The test is performed on a component test board under quiet conditions with all outputs on. Jitter analysis is performed using the standardized tool provided by the PCI SIG.

**Differential Clock Tolerances**

	CPU	SRC	DOT96		
PPM tolerance	100	100	100		ppm
Cycle to Cycle Jitter	85	125	250		ps
Spread	-0.50%	-0.50%	0		%

**Clock Periods - Differential Outputs with Spread Spectrum Disabled**

SSC OFF	Center Freq. MHz	Measurement Window							Units	Notes
		1 Clock	1us	0.1s	0.1s	0.1s	1us	1 Clock		
		-c2c jitter AbsPer Min	-SSC Short-Term Average Min	- ppm Long-Term Average Min	0 ppm Period Nominal	+ ppm Long-Term Average Max	+SSC Short-Term Average Max	+c2c jitter AbsPer Max		
CPU	100.00	9.91400		9.99900	10.00000	10.00100		10.08600	ns	1,2
	133.33	7.41425		7.49925	7.50000	7.50075		7.58575	ns	1,2
	166.67	5.91440		5.99940	6.00000	6.00060		6.08560	ns	1,2
	200.00	4.91450		4.99950	5.00000	5.00050		5.08550	ns	1,2
	266.67	3.66462		3.74962	3.75000	3.75037		3.83537	ns	1,2
	333.33	2.91470		2.99970	3.00000	3.00030		3.08530	ns	1,2
	400.00	2.41475		2.49975	2.50000	2.50025		2.58525	ns	1,2
SRC/SATA	100.00	9.87400	9.99900	10.00000	10.00100	10.12600	ns	1,2		
DOT96	96.00	10.16563	10.41563	10.41667	10.41771	10.66771	ns	1,2		

**Clock Periods - Differential Outputs with Spread Spectrum Enabled**

SSC ON	Center Freq. MHz	Measurement Window							Units	Notes
		1 Clock	1us	0.1s	0.1s	0.1s	1us	1 Clock		
		-c2c jitter AbsPer Min	-SSC Short-Term Average Min	- ppm Long-Term Average Min	0 ppm Period Nominal	+ ppm Long-Term Average Max	+SSC Short-Term Average Max	+c2c jitter AbsPer Max		
CPU	99.75	9.91406	9.99906	10.02406	10.02506	10.02607	10.05107	10.13607	ns	1,2
	133.00	7.41430	7.49930	7.51805	7.51880	7.51955	7.53830	7.62330	ns	1,2
	166.25	5.91444	5.99944	6.01444	6.01504	6.01564	6.03064	6.11564	ns	1,2
	199.50	4.91453	4.99953	5.01203	5.01253	5.01303	5.02553	5.11053	ns	1,2
	266.00	3.66465	3.74965	3.75902	3.75940	3.75977	3.76915	3.85415	ns	1,2
	332.50	2.91472	2.99972	3.00722	3.00752	3.00782	3.01532	3.10032	ns	1,2
	399.00	2.41477	2.49977	2.50602	2.50627	2.50652	2.51277	2.59777	ns	1,2
SRC	99.75	9.87406	9.99906	10.02406	10.02506	10.02607	10.05107	10.17607	ns	1,2

<sup>1</sup>Guaranteed by design and characterization, not 100% tested in production.

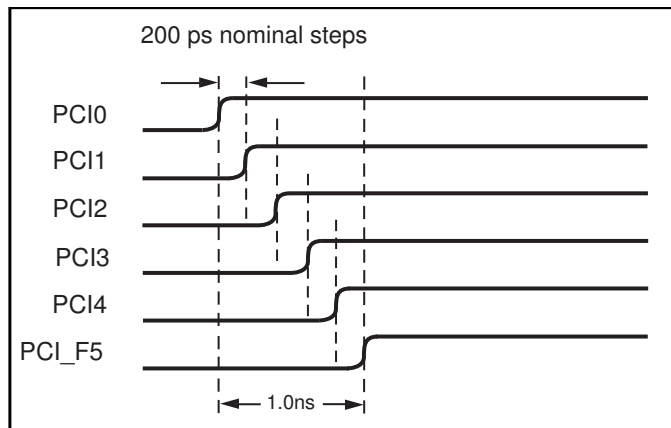
<sup>2</sup>All Long Term Accuracy specifications are guaranteed with the assumption that the crystal input is tuned to exactly 14.31818MHz.



**Electrical Characteristics - PCICLK/PCICLK F**

PARAMETER	SYMBOL	CONDITIONS	MIN	MAX	UNITS	NOTES
Long Accuracy	ppm	see T <sub>period</sub> min-max values	-100	100	ppm	1,2
Clock period	T <sub>period</sub>	33.33MHz output no spread	29.99700	30.00300	ns	2
		33.33MHz output spread	30.08421	30.23459	ns	2
Absolute min/max period	T <sub>abs</sub>	33.33MHz output no spread	29.49700	30.50300	ns	2
		33.33MHz output nominal/spread	29.56617	30.58421	ns	2
Rising Edge Slew Rate	t <sub>SLR</sub>	Measured from 0.8 to 2.0 V	1	4	V/ns	1
Falling Edge Slew Rate	t <sub>FLR</sub>	Measured from 2.0 to 0.8 V	1	4	V/ns	1
Pin to Pin Skew	t <sub>skew</sub>	V <sub>T</sub> = 1.5 V		250	ps	2
Intentional PCI to PCI delay	t <sub>skew</sub>	V <sub>T</sub> = 1.5 V	100	200	ps	2
Duty Cycle	d <sub>t1</sub>	V <sub>T</sub> = 1.5 V	45	55	%	2
Jitter, Cycle to cycle	t <sub>jcy-cyc</sub>	V <sub>T</sub> = 1.5 V		500	ps	2

**Intentional PCI Clock to Clock Delay**



**Electrical Characteristics - USB48MHz**

PARAMETER	SYMBOL	CONDITIONS	MIN	MAX	UNITS	NOTES
Long Accuracy	ppm	see T <sub>period</sub> min-max values	-100	100	ppm	2,4
Clock period	T <sub>period</sub>	48.00MHz output nominal	20.83125	20.83542	ns	2,3
Absolute min/max period	T <sub>abs</sub>	48.00MHz output nominal	20.48125	21.18542	ns	2
CLK High Time	T <sub>HIGH</sub>		8.216563	11.15198	V	
CLK Low time	T <sub>LOW</sub>		7.816563	10.95198	V	
Rising Edge Slew Rate	t <sub>SLR</sub>	Measured from 0.8 to 2.0 V	1	2	V/ns	1
Falling Edge Slew Rate	t <sub>FLR</sub>	Measured from 2.0 to 0.8 V	1	2	V/ns	1
Duty Cycle	d <sub>t1</sub>	V <sub>T</sub> = 1.5 V	45	55	%	2
Jitter, Cycle to cycle	t <sub>jcy-cyc</sub>	V <sub>T</sub> = 1.5 V		350	ps	2

**Electrical Characteristics - REF-14.318MHz**

PARAMETER	SYMBOL	CONDITIONS	MIN	MAX	UNITS	Notes
Long Accuracy	ppm	see T <sub>period</sub> min-max values	-100	100	ppm	2, 4
Clock period	T <sub>period</sub>	14.318MHz output nominal	69.82033	69.86224	ns	2, 3
Absolute min/max period	T <sub>abs</sub>	14.318MHz output nominal	69.83400	70.84800	ns	2
CLK High Time	T <sub>HIGH</sub>		29.97543	38.46654	V	
CLK Low time	T <sub>LOW</sub>		29.57543	38.26654	V	
Rising Edge Slew Rate	t <sub>SLR</sub>	Measured from 0.8 to 2.0 V	1	4	V/ns	1
Falling Edge Slew Rate	t <sub>FLR</sub>	Measured from 2.0 to 0.8 V	1	4	V/ns	1
Duty Cycle	dt <sub>1</sub>	V <sub>T</sub> = 1.5 V	45	55	%	2
Jitter, Cycle to cycle	t <sub>jcy-cyc</sub>	V <sub>T</sub> = 1.5 V		1000	ps	2

**NOTES on SE outputs: (unless otherwise noted, guaranteed by design and characterization, not 100% tested in production).**

<sup>1</sup>Edge rate in system is measured from 0.8V to 2.0V.

<sup>2</sup>Duty cycle, Period and Jitter are measured with respect to 1.5V

<sup>3</sup>The average period over any 1us period of time

<sup>4</sup>Using frequency counter with the measurement interval equal or greater that 0.15s, target frequencies are 14.318180 MHz, 33.333333MHz and 48.000000MHz

Table 1: CPU Frequency Select Table

FS <sub>L</sub> C <sup>2</sup> B0b7	FS <sub>L</sub> B <sup>1</sup> B0b6	FS <sub>L</sub> A <sup>1</sup> B0b5	CPU MHz	SRC MHz	PCI MHz	REF MHz	USB MHz	DOT MHz
0	0	0	266.66	100.00	33.33	14.318	48.00	96.00
0	0	1	133.33					
0	1	0	200.00					
0	1	1	166.66					
1	0	0	333.33					
1	0	1	100.00					
1	1	0	400.00					
1	1	1	Reserved					

- FS<sub>L</sub>A and FS<sub>L</sub>B are low-threshold inputs. Please see V<sub>IL\_FS</sub> and V<sub>IH\_FS</sub> specifications in the Input/Supply/Common Output Parameters Table for correct values. Also refer to the Test Clarification Table.
- FS<sub>L</sub>C is a three-level input. Please see the V<sub>IL\_FS</sub> and V<sub>IH\_FS</sub> specifications in the Input/Supply/Common Output Parameters Table for correct values.

Table 2: PLL3 Quick Configuration (only applies in Mode 0, see Table 6)

B1b4	B1b3	B1b2	B1b1	Pin 17	Pin 18	Spread	Comment
				MHz	MHz	%	
0	0	0	0	PLL 3 disabled			
0	0	0	1	100.00	100.00	0.5% Down Spread	SRC clocks from SRC_MAIN
0	0	1	0	100.00	100.00	0.5% Down Spread	Only SRCCLK1 from PLL3
0	0	1	1	100.00	100.00	1% Down Spread	Only SRCCLK1 from PLL3
0	1	0	0	100.00	100.00	1.5% Down Spread	Only SRCCLK1 from PLL3
0	1	0	1	100.00	100.00	2% Down Spread	Only SRCCLK1 from PLL3
0	1	1	0	100.00	100.00	2.5% Down Spread	Only SRCCLK1 from PLL3
0	1	1	1	N/A	N/A	N/A	N/A
1	0	0	0	24.576	24.576	None	24.576Mhz on SE1 and SE2
1	0	0	1	24.576	98.304	None	24.576Mhz on SE1, 98.304Mhz on SE2
1	0	1	0	98.304	98.304	None	98.304Mhz on SE1 and SE2
1	0	1	1	27.000	27.000	None	27Mhz on SE1 and SE2
1	1	0	0	25.000	25.000	None	25Mhz on SE1 and SE2
1	1	0	1	N/A	N/A	N/A	N/A
1	1	1	0	N/A	N/A	N/A	N/A
1	1	1	1	N/A	N/A	N/A	N/A

Table 3: IO Vout select table

B9b2	B9b1	B9b0	IO Vout
0	0	0	0.3V
0	0	1	0.4V
0	1	0	0.5V
0	1	1	0.6V
1	0	0	0.7V
1	0	1	0.8V
1	1	0	0.9V
1	1	1	1.0V

**Table 4: Device ID table**

B8b7	B8b6	B8b5	B8b4	Comment
0	0	0	0	56 pin TSSOP

**Table 5: Slew Rate Selection Table**

Bit 1	Bit 0	Slew Rate
0	0	HI-Z
0	1	0.7X (1.4V/ns)
1	0	0.8X (1.6 V/ns)
1	1	1X (2.0 V/ns)

**Table 6. PCI3 Configuration Table**

PCI3/CFG0 HW Strap	PCI2/TME HW Strap	Note: 2 bits are needed since CFG0 is tri-level input		SRC_Main_SE L (Byte 0, bit 2)	Config Mode
		PCI3_CFG1 (Byte 11, bit 7)	PCI3_CFG0 (Byte 11, bit 6)		
Low	0 or 1	0	0	0	0 = Default
Mid	0 or 1	0	1	1	1
High	TME=0	1	0	1	2
High	TME=1	1	1	1	3

**Table 7. PLL Modes for PCI3 Configurations**

Config Mode	PLL1		PLL2		PLL3		SRC1	PLL Source
	Outputs	SSC	Outputs	SSC	Outputs	SSC		
0 = Default	CPU/SRC/ PCI	Down	USB	NA	-	-	100MHz	PLL1 (Table 2 applies)
1	CPU	Down	USB	NA	SRC/PCI	Down	100MHz	PLL3
2	CPU	Center	USB	NA	SRC/PCI	Down	100MHz	PLL3
3	CPU	Center	USB/LAN25	NA	SRC/PCI	Down	25MHz SE	PLL2*

\*Note: In Mode 3, Byte 8, bit (1:0) must be set to '1' to enable pin 17,18

**Table 8. ME Clock Selection Table**

PCIF5/ ITP_EN	iAMT_EN	CPU2_AMT_EN	CPU1_AMT_EN	Description
x	1	0	0	Reserved
x	1	0	1	Default, CPU1 = iAMT Clock
1	1	1	0	CPU2 = iAMT Clock
1	1	1	1	CPU1 and CPU2 both run in iAMT mode

**PCI\_STOP# Power Management**

SMBus OE Bit	PCI_STOP#	Single-ended Clocks		Differential Clocks (Except CPU)	
		Stoppable	Free running	Stoppable	Free running
Enable	1	Running	Running	Running	Running
	0	Low	Low	CK= High CK# = Low	Running
				CK= Pull down CK# = Low	Running
Disable	X	Low		CK= Pull down, CK# = Low	

**CPU\_STOP# Power Management**

SMBus OE Bit	PCI_STOP#	Differential Clocks	
		Stoppable	Free running
Enable	1	Running	Running
	0	CK= High CK# = Low	Running
		CK= Pull down CK# = Low	Running
Disable	X	Low	

**CR# Power Management**

SMBus OE Bit	CR#	Differential Clocks	
		Stoppable	Free running
Enable	1	Running	Running
	0	CK= Pull down, CK# = Low	
Disable	X	CK = Pull down, CK# = Low	

**PD# Power Management**

Device State	Single-ended Clocks		Differential Clocks (Except CPU1)	CPU1
	w/o Latched input	w/Latched input		
Latches Open	Low	Hi-Z	CK= Pull down, CK# = Low	CK= Pull down, CK# = Low
Power Down			CK= Pull down CK# = Low	CK= Pull down CK# = Low
M1			CK= Pull down CK# = Low	Running
Virtual Power Cycle to Latches Open			CK= Pull down, CK# = Low	CK= Pull down, CK# = Low

## General SMBus serial interface information for the ICS9LP525-2

### How to Write:

- Controller (host) sends a start bit.
- Controller (host) sends the write address  $D2_{(H)}$
- ICS clock will **acknowledge**
- Controller (host) sends the beginning byte location = N
- ICS clock will **acknowledge**
- Controller (host) sends the data byte count = X
- ICS clock will **acknowledge**
- Controller (host) starts sending **Byte N through Byte N + X - 1**
- ICS clock will **acknowledge** each byte **one at a time**
- Controller (host) sends a Stop bit

### How to Read:

- Controller (host) will send start bit.
- Controller (host) sends the write address  $D2_{(H)}$
- ICS clock will **acknowledge**
- Controller (host) sends the beginning byte location = N
- ICS clock will **acknowledge**
- Controller (host) will send a separate start bit.
- Controller (host) sends the read address  $D3_{(H)}$
- ICS clock will **acknowledge**
- ICS clock will send the data byte count = X
- ICS clock sends **Byte N + X - 1**
- ICS clock sends **Byte 0 through byte X (if  $X_{(H)}$  was written to byte 0).**
- Controller (host) will need to acknowledge each byte
- Controller (host) will send a not acknowledge bit
- Controller (host) will send a stop bit

Index Block Write Operation			
Controller (Host)		ICS (Slave/Receiver)	
T	starT bit		
Slave Address $D2_{(H)}$			
WR	WRite		
		ACK	
Beginning Byte = N			
		ACK	
Data Byte Count = X			
		ACK	
Beginning Byte N		X Byte	
			ACK
○			○
○			○
○			○
Byte N + X - 1			
		ACK	
P	stoP bit		

Index Block Read Operation			
Controller (Host)		ICS (Slave/Receiver)	
T	starT bit		
Slave Address $D2_{(H)}$			
WR	WRite		
		ACK	
Beginning Byte = N			
		ACK	
RT	Repeat starT		
Slave Address $D3_{(H)}$			
RD	ReaD		
		ACK	
		Data Byte Count = X	
ACK		X Byte	
ACK			Beginning Byte N
○			○
○			○
○			○
		Byte N + X - 1	
N	Not acknowledge		
P	stoP bit		

**Byte 0 FS Readback and PLL Selection Register**

Bit	Pin	Name	Description	Type	0	1	Default
7	-	FSLC	CPU Freq. Sel. Bit (Most Significant)	R	See Table 1 : CPU Frequency Select Table		Latch
6	-	FSLB	CPU Freq. Sel. Bit	R			Latch
5	-	FSLA	CPU Freq. Sel. Bit (Least Significant)	R			Latch
4	-	iAMT_EN	Set via SMBus or dynamically by CK505 if detects dynamic M1	RW	Legacy Mode	iAMT Enabled	0
3		Reserved	Reserved	RW			0
2	-	SRC_Main_SEL	Select source for SRC Main	RW	SRC Main = PLL1	SRC Main = PLL3	Latch
1	-	SATA_SEL	Select source for SATA clock	RW	SATA = SRC_Main	SATA = PLL2	0
0	-	PD_Restore	1 = on Power Down de-assert return to last known state 0 = clear all SMBus configurations as if cold power-on and go to latches open state This bit is ignored and treated at '1' if device is in iAMT mode.	RW	Configuration Not Saved	Configuration Saved	1

**Byte 1 DOT96 Select and PLL3 Quick Config Register**

Bit	Pin	Name	Description	Type	0	1	Default
7	13/14	SRC0_SEL	Select SRC0 or DOT96	RW	SRC0	DOT96	0
6	-	PLL1_SSC_SEL	Select 0.5% down or center SSC	RW	Down spread	Center spread	Latch
5		PLL3_SSC_SEL	Select 0.5% down or center SSC	RW	Down spread	Center spread	0
4		PLL3_CF3	PLL3 Quick Config Bit 3	RW	See Table 2: PLL3 Quick Configuration <b>Only applies if Byte 0, bit 2 = 0.</b>		0
3		PLL3_CF2	PLL3 Quick Config Bit 2	RW			0
2		PLL3_CF1	PLL3 Quick Config Bit 1	RW			0
1		PLL3_CF0	PLL3 Quick Config Bit 0	RW			1
0		PCI_SEL	PCI_SEL	RW	PCI from PLL1	PCI from SRC_MAIN	1

**Byte 2 Output Enable Register**

Bit	Pin	Name	Description	Type	0	1	Default
7		REF_OE	Output enable for REF, if disabled output is tri-stated	RW	Output Disabled	Output Enabled	1
6		USB_OE	Output enable for USB	RW	Output Disabled	Output Enabled	1
5		PCIF5_OE	Output enable for PCI5	RW	Output Disabled	Output Enabled	1
4		PCI4_OE	Output enable for PCI4	RW	Output Disabled	Output Enabled	1
3		PCI3_OE	Output enable for PCI3	RW	Output Disabled	Output Enabled	1
2		PCI2_OE	Output enable for PCI2	RW	Output Disabled	Output Enabled	1
1		PCI1_OE	Output enable for PCI1	RW	Output Disabled	Output Enabled	1
0		PCI0_OE	Output enable for PCI0	RW	Output Disabled	Output Enabled	1

**Byte 3 Output Enable Register**

Bit	Pin	Name	Description	Type	0	1	Default
7		Reserved	Reserved	RW	-	-	1
6		Reserved	Reserved	RW	-	-	1
5		Reserved	Reserved	RW	-	-	1
4		SRC8/ITP_OE	Output enable for SRC8 or ITP	RW	Output Disabled	Output Enabled	1
3		SRC7_OE	Output enable for SRC7	RW	Output Disabled	Output Enabled	1
2		SRC6_OE	Output enable for SRC6	RW	Output Disabled	Output Enabled	1
1		SRC5_OE	Output enable for SRC5	RW	Output Disabled	Output Enabled	1
0		SRC4_OE	Output enable for SRC4	RW	Output Disabled	Output Enabled	1

**Byte 4 Output Enable and Spread Spectrum Disable Register**

Bit	Pin	Name	Description	Type	0	1	Default
7		SRC3_OE	Output enable for SRC3	RW	Output Disabled	Output Enabled	1
6		SATA/SRC2_OE	Output enable for SATA/SRC2	RW	Output Disabled	Output Enabled	1
5		SRC1_OE	Output enable for SRC1	RW	Output Disabled	Output Enabled	1
4		SRC0/DOT96_OE	Output enable for SRC0/DOT96	RW	Output Disabled	Output Enabled	1
3		CPU1_OE	Output enable for CPU1	RW	Output Disabled	Output Enabled	1
2		CPU0_OE	Output enable for CPU0	RW	Output Disabled	Output Enabled	1
1		PLL1_SSC_ON	Enable PLL1's spread modulation	RW	Spread Disabled	Spread Enabled	1
0		PLL3_SSC_ON	Enable PLL3's spread modulation	RW	Spread Disabled	Spread Enabled	1

**Byte 5 Clock Request Enable/Configuration Register**

Bit	Pin	Name	Description	Type	0	1	Default
7		CR#_A_EN	Enable CR#_A (clk req), PCI0_OE must be = 1 for this bit to take effect	RW	Disable CR#_A	Enable CR#_A	0
6		CR#_A_SEL	Sets CR#_A to control either SRC0 or SRC2	RW	CR#_A -> SRC0	CR#_A -> SRC2	0
5		CR#_B_EN	Enable CR#_B (clk req)	RW	Disable CR#_B	Enable CR#_B	0
4		CR#_B_SEL	Sets CR#_B -> SRC1 or SRC4	RW	CR#_B -> SRC1	CR#_B -> SRC4	0
3		CR#_C_EN	Enable CR#_C (clk req)	RW	Disable CR#_C	Enable CR#_C	0
2		CR#_C_SEL	Sets CR#_C -> SRC0 or SRC2	RW	CR#_C -> SRC0	CR#_C -> SRC2	0
1		CR#_D_EN	Enable CR#_D (clk req)	RW	Disable CR#_D	Enable CR#_D	0
0		CR#_D_SEL	Sets CR#_D -> SRC1 or SRC4	RW	CR#_D -> SRC1	CR#_D -> SRC4	0

**Byte 6 Clock Request Enable/Configuration and Stop Control Register**

Bit	Pin	Name	Description	Type	0	1	Default
7		CR#_E_EN	Enable CR#_E (clk req) -> SRC6	RW	Disable CR#_E	Enable CR#_E	0
6		CR#_F_EN	Enable CR#_F (clk req) -> SRC8	RW	Disable CR#_F	Enable CR#_F	0
5		Reserved	Reserved	RW	-	-	0
4		Reserved	Reserved	RW	-	-	0
3		Reserved	Reserved	RW	-	-	0
2		Reserved	Reserved	RW	-	-	0
1		SSCD_STP_CRTL (SRC1)	If set, SSCD (SRC1) stops with PCI_STOP#	RW	Free Running	Stops with PCI_STOP# assertion	0
0		SRC_STP_CRTL	If set, SRCs (except SRC1) stop with PCI_STOP#	RW	Free Running	Stops with PCI_STOP# assertion	0

**Byte 7 Vendor ID/ Revision ID**

Bit	Pin	Name	Description	Type	0	1	Default
7		Rev Code Bit 3	Revision ID	R	Vendor specific		X
6		Rev Code Bit 2		R			X
5		Rev Code Bit 1		R			X
4		Rev Code Bit 0		R			X
3		Vendor ID bit 3	Vendor ID ICS is 0001, binary	R			0
2		Vendor ID bit 2		R			0
1		Vendor ID bit 1		R			0
0		Vendor ID bit 0		R			1

### Byte 8 Device ID and Output Enable Register

Bit	Pin	Name	Description	Type	0	1	Default
7		Device_ID3	Table of Device identifier codes, used for differentiating between CK505 package options, etc.	R	56-pin device		0
6		Device_ID2		R			0
5		Device_ID1		R			0
4		Device_ID0		R			0
3		Reserved	Reserved	RW	-	-	0
2		Reserved	Reserved	RW	-	-	0
1		SE1_OE	Output enable for SE1	RW	Disabled	Enabled	0
0		SE2_OE	Output enable for SE2	RW	Disabled	Enabled	0

### Byte 9 Output Control Register

Bit	Pin	Name	Description	Type	0	1	Default
7		PCIF5_STOP_EN	Allows control of PCIF5 with assertion of PCI_STOP#	RW	Free running	Stops with PCI_STOP# assertion	0
6		TME_Readback	Trusted Mode Enable (TME) strap status	R	normal operation	no overclocking	Latch
5		REF_Strength	Sets the REF output drive strength	RW	1X (2Loads)	2X (3 Loads)	1
4		Test Mode Select	Allows test select, ignores REF/FSC/TestSel	RW	Outputs HI-Z	Outputs = REF/N	0
3		Test Mode Entry	Allows entry into test mode, ignores FSB/TestMode	RW	Normal operation	Test mode	0
2		IO_VOUT2	IO Output Voltage Select (Most Significant Bit)	RW	See Table 3: V_IO Selection (Default is 0.8V)		1
1		IO_VOUT1	IO Output Voltage Select	RW			0
0		IO_VOUT0	IO Output Voltage Select (Least Significant Bit)	RW			1

### Byte 10 Stop Enable Register

Bit	Pin	Name	Description	Type	0	1	Default
7		SRC5_EN Readback	Readback of SRC5 enable latch	R	CPU/PCI Stop Enabled	SRC5 Enabled	Latch
6		Reserved	Reserved	RW	-	-	0
5		Reserved		RW	-	-	0
4		Reserved		RW	-	-	0
3		Reserved		RW	-	-	0
2		Reserved		RW	-	-	0
1		CPU 1 Stop Enable		Enables control of CPU1 with CPU_STOP#	RW	Free Running	Stoppable
0		CPU 0 Stop Enable	Enables control of CPU 0 with CPU_STOP#	RW	Free Running	Stoppable	1

### Byte 11 iAMT Enable Register

Bit	Pin	Name	Description	Type	0	1	Default
7		PCI3_CFG1	See PCI3 Configuration Table 28	R	See PCI3 Configuration Table		Latch
6		PCI3_CFG0		R			Latch
5		Reserved	Reserved	RW	-	-	0
4		Reserved	Reserved	RW	-	-	1
3		CPU2_AMT_EN	Determines if CPU2 runs in M1 mode. Only valid if ITP_EN=1. See Note.	RW	Does not Run	Runs	0
2		CPU1_AMT_EN	Determines if CPU1 runs in M1 mode. See Note.	RW	Does not Run	Runs	1
1		PCI-E_GEN2	Determines if PCI-E Gen2 compliant	R	non-Gen2	PCI-E Gen2 Compliant	1
0		CPU 2 Stop Enable	Enables control of CPU 0 with CPU_STOP#	RW	Free Running	Stoppable	1



**Byte 12 Byte Count Register**

Bit	Pin	Name	Description	Type	0	1	Default
7		Reserved		RW			0
6		Reserved		RW			0
5		BC5	Read Back byte count register, max bytes = 32	RW			0
4		BC4		RW			0
3		BC3		RW			1
2		BC2		RW			1
1		BC1		RW			0
0		BC0		RW			1

**Byte 13 to 28 Reserved**

**Byte 29 Slew Rate Control**

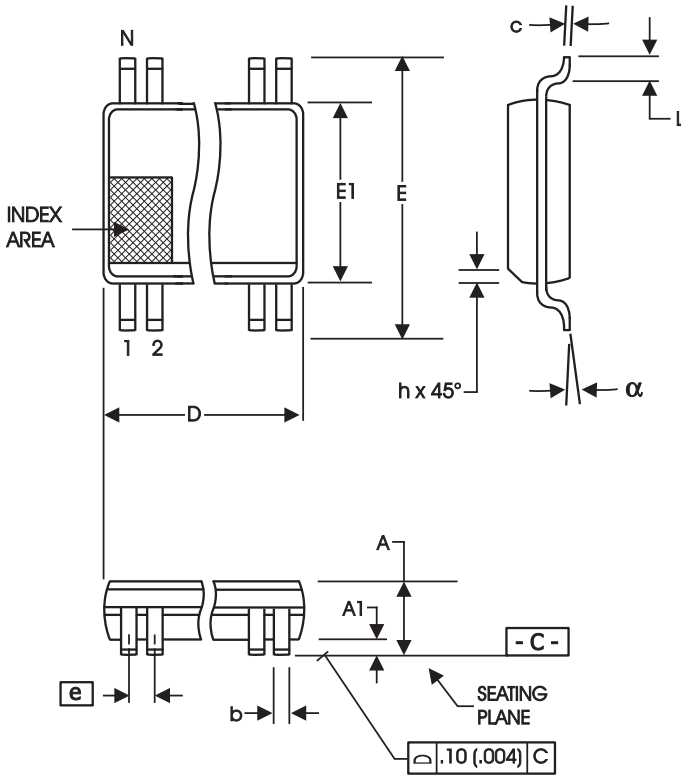
Bit	Pin	Name	Description	RW	0	1	Default
7		USB_Slew1	USB Slew Rate Control (MSB)	RW	See Slew Rate Selection Table		1
6		USB_Slew0	USB Slew Rate Control (LSB)	RW			0
5		PCI_Slew1	PCI Slew Rate Control (MSB)	RW	See Slew Rate Selection Table		1
4		PCI_Slew0	PCI Slew Rate Control (LSB)	RW			1
3		Reserved		RW			1
2		REF Slew Rate	Changes Ref Slew Rate	RW	1.2V/ns	2.2V/ns	1
1		Reserved		RW			0

### Test Clarification Table

Comments	HW		SW		OUTPUT
	FSLC/ TEST_SEL HW PIN	FSLB/ TEST_MODE HW PIN	TEST ENTRY BIT B9b3	REF/N or HI-Z B9b4	
	<2.0V	X	0	0	NORMAL
Power-up w/ TEST_SEL = 1 to enter test mode Cycle power to disable test mode FSLC./TEST_SEL -->3-level latched input If power-up w/ V>2.0V then use TEST_SEL If power-up w/ V<2.0V then use FSLC FSLB/TEST_MODE -->low Vth input TEST_MODE is a real time input	>2.0V	0	X	0	HI-Z
	>2.0V	0	X	1	REF/N
	>2.0V	1	X	0	REF/N
	>2.0V	1	X	1	REF/N
If TEST_SEL HW pin is 0 during power-up, test mode can be invoked through B9b3. If test mode is invoked by B9b3, only B9b4 is used to select HI-Z or REF/N FSLB/TEST_Mode pin is not used. Cycle power to disable test mode, one shot control	<2.0V	X	1	0	HI-Z
	<2.0V	X	1	1	REF/N

B9b3: 1= ENTER TEST MODE, Default = 0 (NORMAL OPERATION)

B9b4: 1= REF/N, Default = 0 (HI-Z)



56-Lead, 300 mil Body, 25 mil, SSOP

SYMBOL	In Millimeters COMMON DIMENSIONS		In Inches COMMON DIMENSIONS	
	MIN	MAX	MIN	MAX
A	2.41	2.80	.095	.110
A1	0.20	0.40	.008	.016
b	0.20	0.34	.008	.0135
c	0.13	0.25	.005	.010
D	SEE VARIATIONS		SEE VARIATIONS	
E	10.03	10.68	.395	.420
E1	7.40	7.60	.291	.299
e	0.635 BASIC		0.025 BASIC	
h	0.38	0.64	.015	.025
L	0.50	1.02	.020	.040
N	SEE VARIATIONS		SEE VARIATIONS	
$\alpha$	0°	8°	0°	8°

VARIATIONS

N	D mm.		D (inch)	
	MIN	MAX	MIN	MAX
56	18.31	18.55	.720	.730

Reference Doc.: JEDEC Publication 95, MO-118

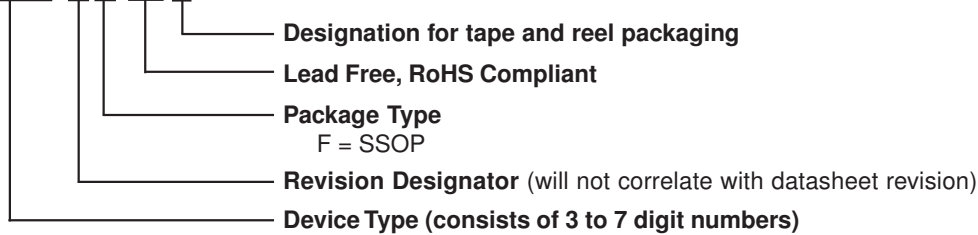
10-0034

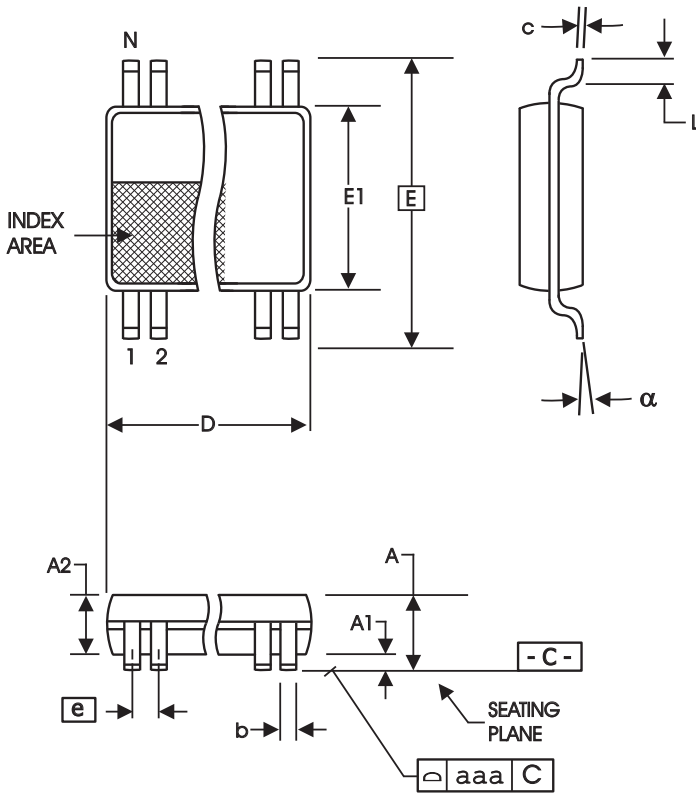
## Ordering Information

9LP525BF-2LFT

Example:

XXXX B F LFT





56-Lead 6.10 mm. Body, 0.50 mm. Pitch TSSOP  
(240 mil) (20 mil)

SYMBOL	In Millimeters COMMON DIMENSIONS		In Inches COMMON DIMENSIONS	
	MIN	MAX	MIN	MAX
A	--	1.20	--	.047
A1	0.05	0.15	.002	.006
A2	0.80	1.05	.032	.041
b	0.17	0.27	.007	.011
c	0.09	0.20	.0035	.008
D	SEE VARIATIONS		SEE VARIATIONS	
E	8.10 BASIC		0.319 BASIC	
E1	6.00	6.20	.236	.244
e	0.50 BASIC		0.020 BASIC	
L	0.45	0.75	.018	.030
N	SEE VARIATIONS		SEE VARIATIONS	
alpha	0°	8°	0°	8°
aaa	--	0.10	--	.004

VARIATIONS

N	D mm.		D (inch)	
	MIN	MAX	MIN	MAX
56	13.90	14.10	.547	.555

Reference Doc.: JEDEC Publication 95, MO-153

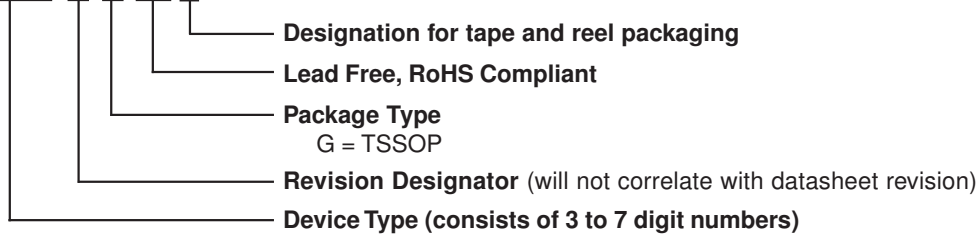
10-0039

## Ordering Information

9LP525BG-2LFT

Example:

XXXX BGLFT



## Revision History

Rev.	Issue Date	Description	Page #
A	6/23/2008	Going to Release	-
B	8/8/2008	1. Updated Pin Description 2. Added Byte 29 for Slew Rate control	2-3, 17
C	10/10/2008	1) Byte 11, bit 5 is now reserved. 2) Byte 29, bits 7:6 default to 0.8X slew rate ('10') 3) Removed reference to STOP drive mode in Power management table. 4) Corrected REF slew rate control from Byte 29b3 to Byte 29b2. 5) Clarified description of Byte 11, bits 2 and 3 to reflect CK505 ME clock selection table. 6) Marked as Reserved all bits that are not in the 56-pin version of the device	Various
D	4/28/2009	1) updated tables 2, 6 and 7 to clarify interaction of Config Modes with SRC1 2) Updated ordering revision to A.	10, 11, 19, 20
E	4/30/2009	Updated ordering revision.	19,20
F	11/8/2010	Removed last time buy statement	1

Innovate with IDT and accelerate your future networks. Contact:

**www.IDT.com**

### For Sales

800-345-7015  
408-284-8200  
Fax: 408-284-2775

### For Tech Support

408-284-6578  
pcclockhelp@idt.com

### Corporate Headquarters

Integrated Device Technology, Inc.  
6024 Silver Creek Valley Road  
San Jose, CA 95138  
United States  
800 345 7015  
+408 284 8200 (outside U.S.)

### Asia Pacific and Japan

Integrated Device Technology  
Singapore (1997) Pte. Ltd.  
Reg. No. 199707558G  
435 Orchard Road  
#20-03 Wisma Atria  
Singapore 238877  
+65 6 887 5505

### Europe

IDT Europe, Limited  
Prime House  
Barnett Wood Lane  
Leatherhead, Surrey  
United Kingdom KT22 7DE  
+44 1372 363 339



www.IDT.com