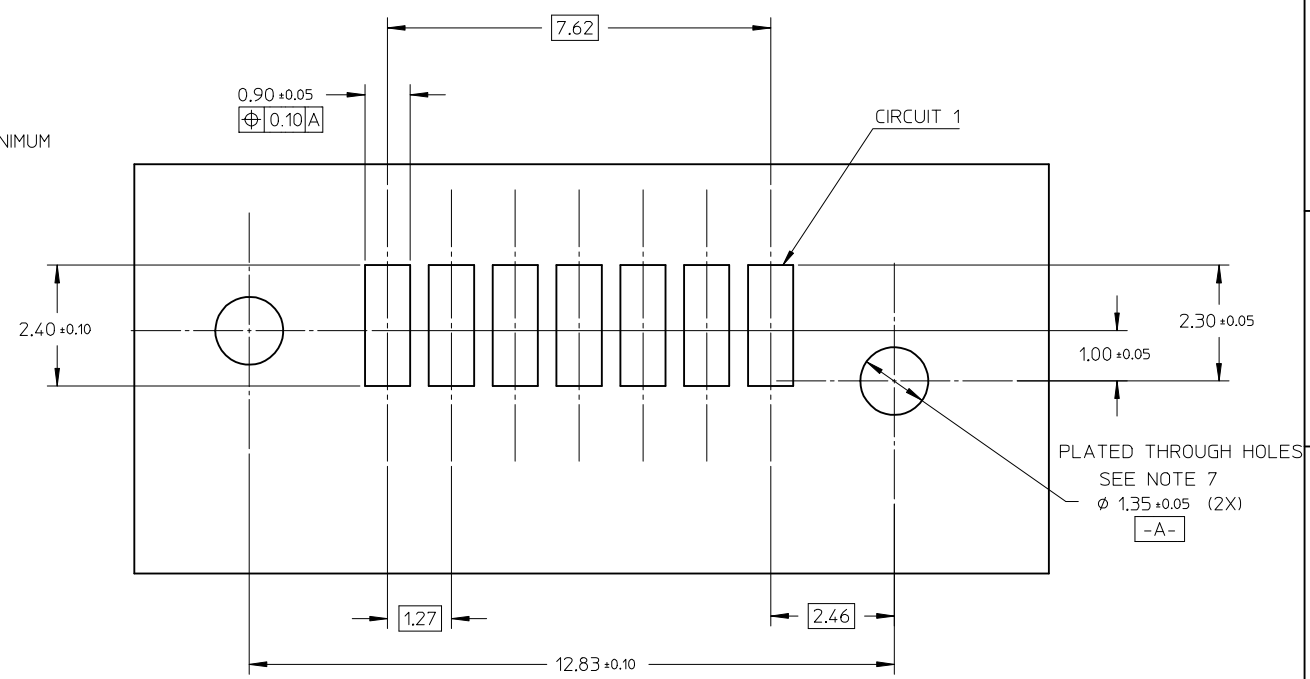


ADD PARTS EC NO: SH2014-0204 G DRWINGLLI 2013/11/20 CHKD: 2014/01/20 APPR:AY IN	DESCRIPTION REV	QUALITY SYMBOLS $F_A=0$ $F_C=0$ $F_P=0$	GENERAL TOLERANCES (UNLESS SPECIFIED)		DIMENSION STYLE MM ONLY		SCALE 5:1	DESIGN UNITS METRIC	THIRD ANGLE PROJECTION	
			mm	INCH	DRAWN BY	DATE	TITLE			
		4 PLACES ± --- ± --- 3 PLACES ± --- ± --- 2 PLACES ± 0.15 ± --- 1 PLACE ± 0.25 ± --- 0 PLACE ± ±			GRATE MA	2004/02/02	HIGH SPEED CONNECTOR 1.27MM PITCH VERTICAL SMT SOLDER TAIL			
		ANGULAR ± 1 ° DRAFT WHERE APPLICABLE MUST REMAIN WITHIN DIMENSIONS			YAJUN	2004/02/02	molex			
			MATERIAL NO. SEE CHART IN SHEET 2		APPROVED BY SAM		DATE	DOCUMENT NO.	SHEET NO.	
			SIZE A3		THIS DRAWING CONTAINS INFORMATION THAT IS PROPRIETARY TO MOLEX INCORPORATED AND SHOULD NOT BE USED WITHOUT WRITTEN PERMISSION					

- NOTES:
- MATERIAL:
 - HOUSING: HIGH TEMPERATURE THERMAL PLASTIC, GLASS FILLED, UL94V-0, COLOR: REFER TO CHART.
 - TERMINAL: BRASS
 - POST: BRASS
 - TERMINAL PLATING:
 - CONTACT AREA: (a) GOLD FLASH
 - (b) GOLD, THICKNESS=0.76 MICRON MINIMUM
 - (c) GOLD, THICKNESS=0.38 MICRON MINIMUM
 - SOLDER TAIL: TIN, THICKNESS=1.27 MICRON MINIMUM
 - UNDER PLATE: NICKEL PLATED, THICKNESS=1.27 MICRON MINIMUM
 - POST PLATING: UNDER PLATE: NICKEL, THICKNESS=1.25 MICRON MINIMUM
 - TIN, THICKNESS=1.9 MICRON MINIMUM OVER ALL
 - PACKAGING: PK-67800-001
 - PRODUCT SPECIFICATION REFER TO PS-67491-001
 - RECOMMENDED SOLDERING PROCESS: IR PROCESS
- ⚠ METAL POSTS TO BE SOLDERED TO PCB



RECOMMENDED P.C.B LAYOUT
CONNECTOR SIDE

678005025	SEE NOTE2(c)	BLACK	3.45	PURE TIN
678005022	SEE NOTE2(b)			
678005021	SEE NOTE2(a)			
678005015	SEE NOTE2(c)	BLACK	3.05	
678005012	SEE NOTE2(b)			
678005011	SEE NOTE2(a)			
678005005	SEE NOTE2(c)	BLACK	2.65	
678005004	SEE NOTE2(c)	YELLOW		
678005003	SEE NOTE2(c)	BLUE		
678005013	SEE NOTE2(b)	WHITE(NATURE)		
678005033	SEE NOTE2(b)	WHITE(NATURE)	2.65	
678005002	SEE NOTE2(b)	BLACK		
678005001	SEE NOTE2(a)	BLACK		
MATERIAL NO	PLATING TYPE	HOUSING COLOR	DIM A	REMARK

SEE SHEET 1 IEC NO: SH2014-0204 DRAWING: GLL1 2013/11/20 CHKD: CH'KD: APPR: AYJIN 2014/01/20 REV	QUALITY SYMBOLS	GENERAL TOLERANCES (UNLESS SPECIFIED)	DIMENSION STYLE	SCALE	DESIGN UNITS	THIRD ANGLE PROJECTION	
	$F_A=0$ $F_B=0$ $F_C=0$	mm INCH	MM ONLY	5:1	METRIC		
		4 PLACES ± --- ± --- 3 PLACES ± --- ± --- 2 PLACES ± 0.15 ± --- 1 PLACE ± 0.25 ± --- 0 PLACE ± ±	DRAWN BY DATE GRATE MA 2004/02/02 CHECKED BY DATE YAJUN 2004/02/02 APPROVED BY DATE SAM 2004/02/02	TITLE	HIGH SPEED CONNECTOR 1.27MM PITCH VERTICAL SMT SOLDER TAIL		
		ANGULAR ± 1 ° DRAFT WHERE APPLICABLE MUST REMAIN WITHIN DIMENSIONS	MATERIAL NO. DOCUMENT NO. SEE CHART SD-67800-005	molex			
SIZE A3		THIS DRAWING CONTAINS INFORMATION THAT IS PROPRIETARY TO MOLEX INCORPORATED AND SHOULD NOT BE USED WITHOUT WRITTEN PERMISSION					