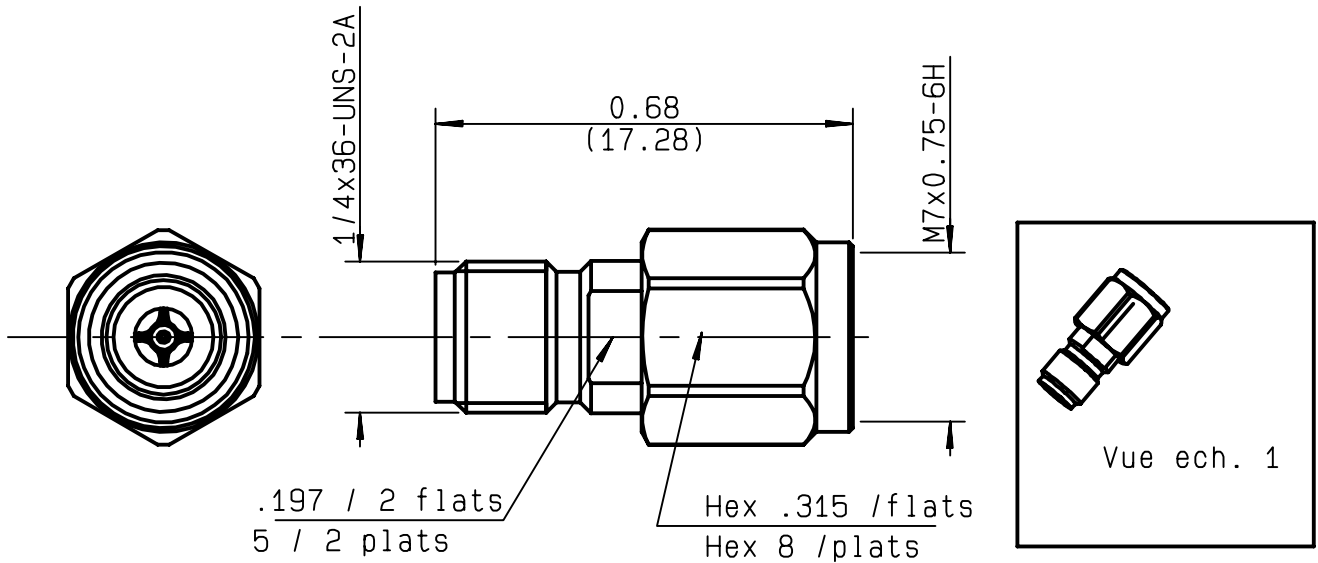


**SMA 2.9 FEMALE - SMA 2.4 MALE
STRAIGHT ADAPTER**

R191.970.081
SERIES ADAPT



NOMINAL IMPEDANCE	50 Ω
FREQUENCY RANGE	0-46 GHz
TEMPERATURE RATING	-65/+165 °C
V.S.W.R	1.05 + .005 x F(GHz)Maxi
RF INSERTION LOSS	0.05 √F(GHz) dB Maxi
VOLTAGE RATING	500 Veff Maxi
DIELECTRIC WITHSTANDING VOLTAGE	1000 Veff Mini
INSULATION RESISTANCE	5000 MΩMini
HERMETIC SEAL	NA Atm.cm ³ /s
LEAKAGE (pressurized only)	NA
MECHANICAL DURABILITY	500 Cycles
WEIGHT	3.3 gr
SPECIFICATION	

CABLES :	
OTHERS CHARACTERISTICS	
CABLE RETENTION	N Mini
CENTER CONTACT RETENTION	
Axial force - mating end	27 N Mini
Axial force - opposite end	27 N Mini
Torque	NA cm.N Mini
RECOMMENDED TORQUES	
Mating	100 cm.N
Panel nut	NA cm.N
Clamp nut	NA cm.N

CONNECTOR PARTS	MATERIALS	FINISH	(all values are given in micrometers)
BODY	STAINLESS STEEL	PASSIVATED	
OUTER CONTACT	BRASS	GOLD 0.2 OVER NICKEL 2	
CENTER CONTACT	BERYLLIUM COPPER	GOLD 1.3 OVER NICKEL 2	
INSULATOR	POLYIMIDE KAPTON 500H	-	
GASKET		-	
OTHERS PIECES	BERYLLIUM COPPER	NICKEL 2	

ISSUE	CREATION DATE	FILE PART-NUMBER
0204A01	12/05/1989	



MARTIN

The information given here is subject to change without notice. Design changes may be in order to improve the product .

Connect to the future