

FULLY SEALABLE HEIDI SERIES FOR NICHIA 119 / 219 LEDs



- Lens material optical grade PMMA with high UV and temperature resistance (105°C/220°F)
- Lens foot can be potted with resin without losses in optical efficiency (**Fully sealed construction** of luminaire possible)
- High optical efficiency, up to 90%
- No lens holder. Fastening to heat sink with a PU foam adhesive tape of automotive grade
- Please check fastening details from this link:
(http://www.ledil.com/datasheets/DataSheet_TAPE.pdf)
- Diameter 21.6 mm

LENS TYPES

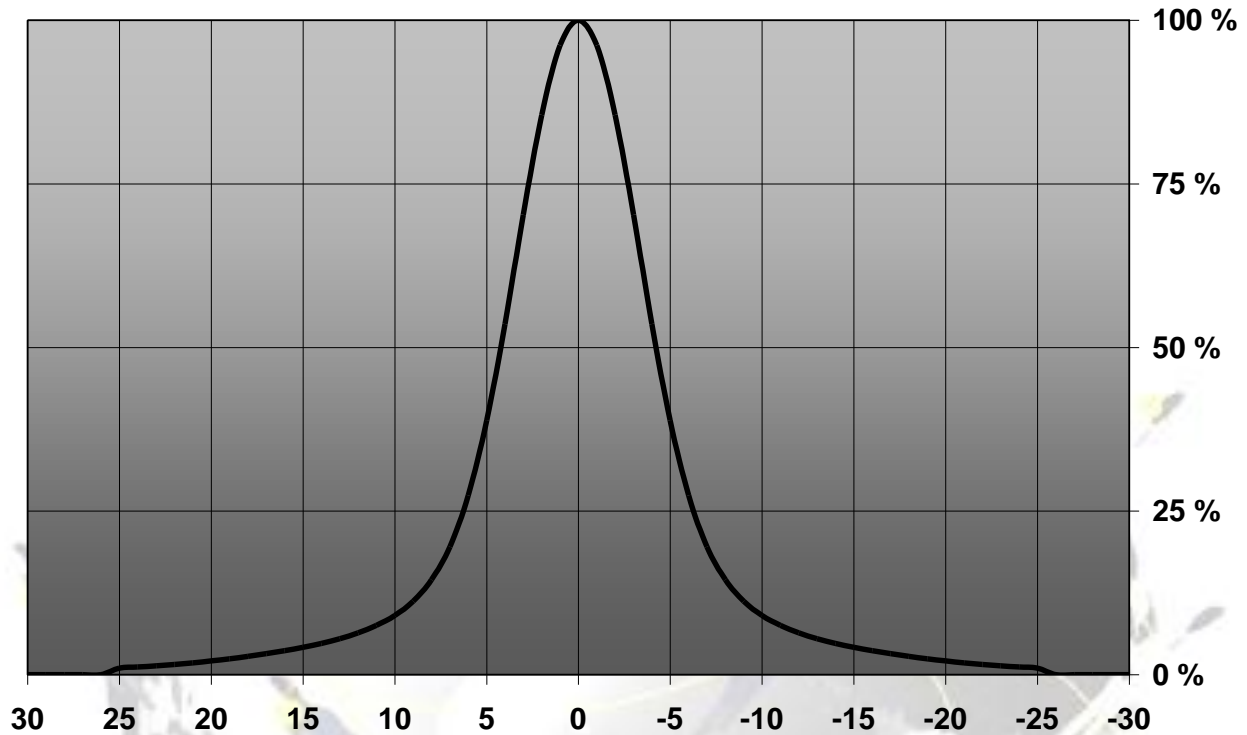
NAME	ORDERING CODE	FWHM Angle
HEIDI real spot	CA11663_Heidi-RS-N119	±4°
HEIDI diffuser	CA11264_Heidi-D-N119	±4.5°
HEIDI medium	CA11265_Heidi-M-N119	±14°
HEIDI oval	CA11266_Heidi-O-N119	±26° x ±5°
HEIDI oval turned 90°	CA11267_Heidi-O-90-N119	±26° x ±5°
Heidi wide	CA11268_Heidi-W-N119	Coming soon

HEIDI real spot	CA11663_Heidi-RS-N219	to be measured shortly
HEIDI diffuser	CA11264_Heidi-D-N219	to be measured shortly
HEIDI medium	CA11265_Heidi-M-N219	to be measured shortly
HEIDI oval	CA11266_Heidi-O-N219	to be measured shortly
HEIDI oval turned 90°	CA11267_Heidi-O-90-N219	to be measured shortly
Heidi wide	CA11268_Heidi-W-N219	Coming soon

© Ledil Oy – Subject to change without prior notice

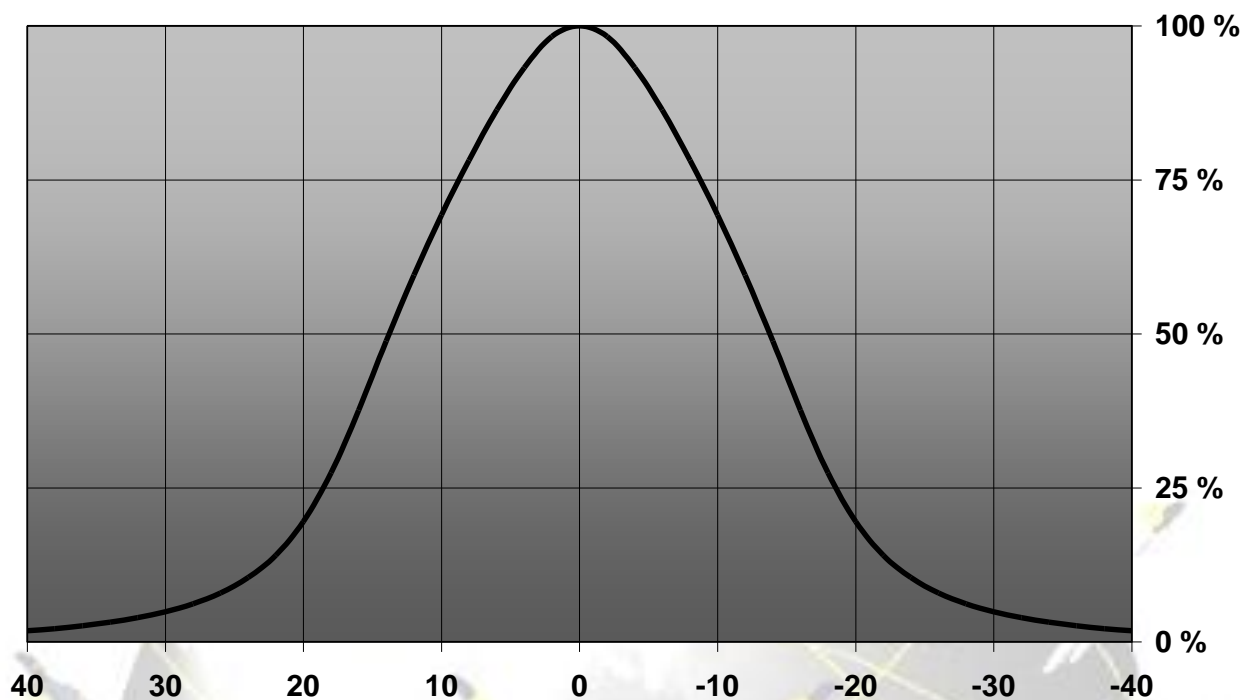
MEASUREMENTS

Relative Intensity of CA11264_Heidi-D-N119



© Ledil Oy – Subject to change without prior notice

Relative intensity of CA11265_Heidi-M-N119



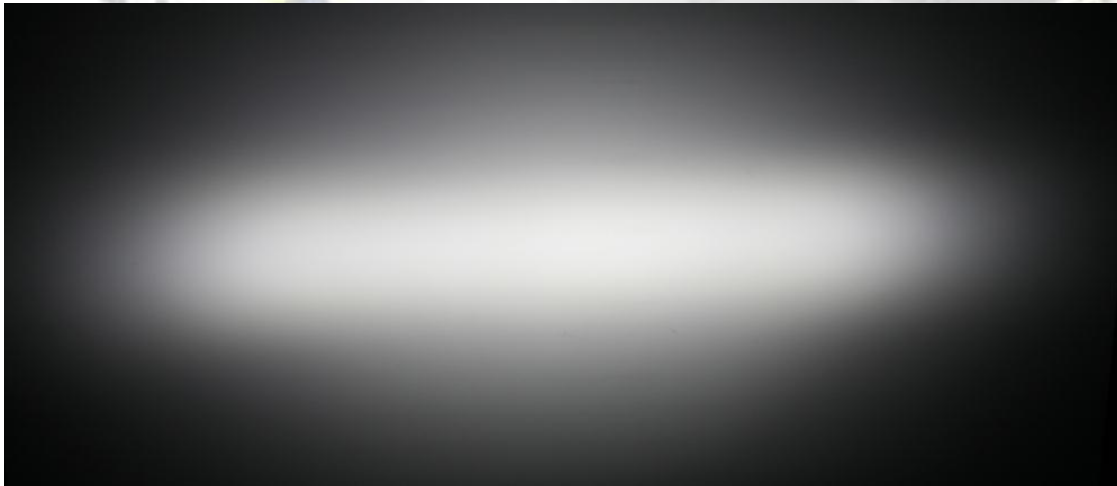
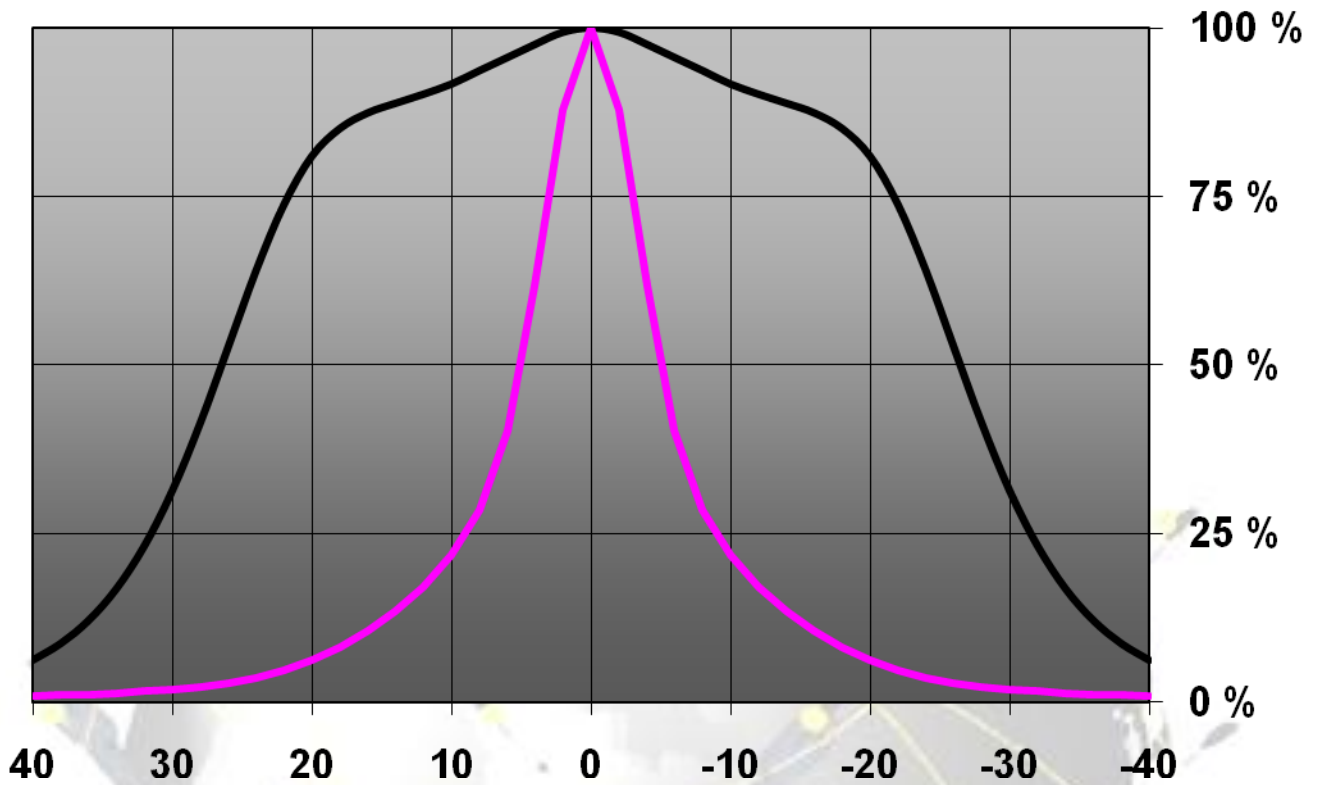
© Ledil Oy – Subject to change without prior notice

Ledil Oy
Tehdaskatu 13
FIN-24100 SALO, Finland

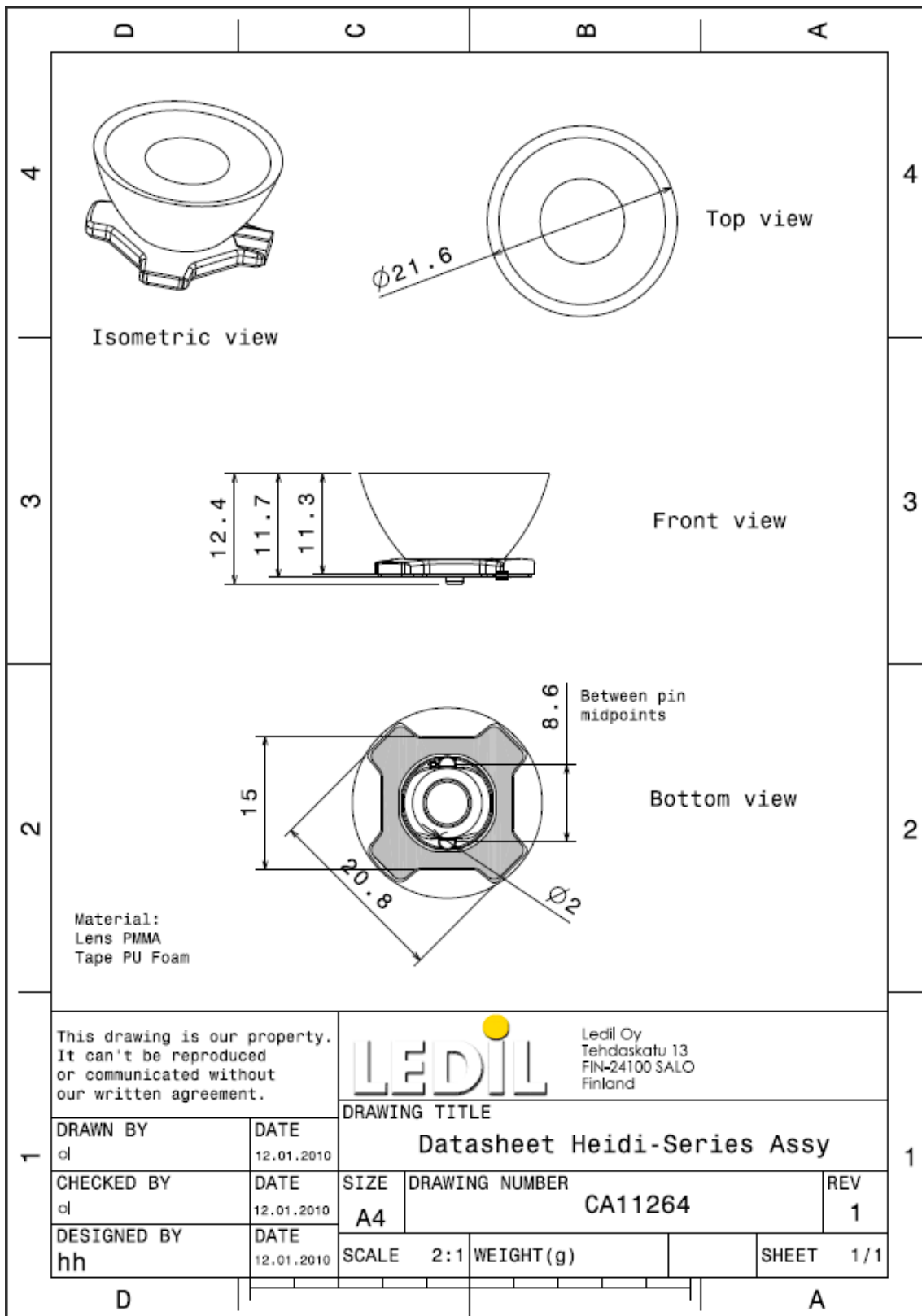
www.ledil.com
email: ledil@ledil.com
FAX: +358-2-733 8001

2010-12-27

Relative Intensity of CA11266_Heidi-O-N119



DRAWINGS



© Ledil Oy – Subject to change without prior notice