

PLEASE CHECK WWW.MOLEX.COM FOR LATEST PART INFORMATION

Part Number: [5050731100](#)
Status: **Active**
Overview: TermiMate™ One-Circuit Terminal-Style Connector System
Description: TermiMate™ Crimp Terminal Receptacle, 1.20mm Mated Height

Documents:

Drawing (PDF)	Packaging Specification SPK-505073-001 (PDF)
Product Specification PS-505071-001 (PDF)	RoHS Certificate of Compliance (PDF)
Application Specification AS-505071-001 (PDF)	

General

Product Family	Crimp Terminals
Series	505073
Application	Signal
Comments	See Product Specification for maximum current rating by wire AWG
Crimp Quality Equipment Overview	Yes TermiMate™ One-Circuit Terminal-Style Connector System
Product Name	TermiMate™
UPC	887191571041

Physical

Durability (mating cycles max)	20
Gender	Female
Material - Metal	Copper Alloy
Material - Plating Mating	Tin over Nickel
Net Weight	54.000/mg
Packaging Type	Reel
Plating min - Mating	0.406µm
Termination Interface: Style	Crimp or Compression
Wire Insulation Diameter	0.9-1.7mm
Wire Size AWG	22, 24, 26
Wire Size mm²	0.126-0.34

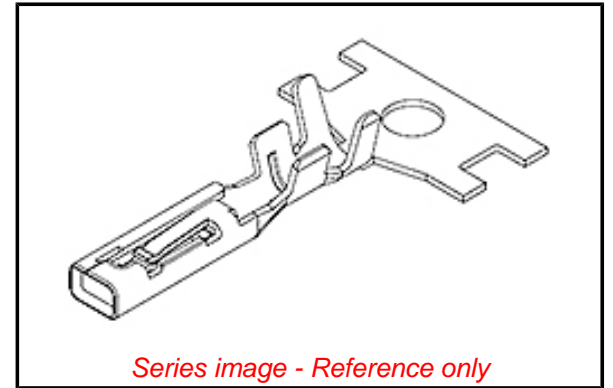
Electrical

Current - Maximum per Contact	3.0A
Voltage - Maximum	125V AC (RMS)/DC

Material Info

Reference - Drawing Numbers

Application Specification	AS-505071-001
Application Tooling Documents	IS-0006E, IS-0006J, IS-0117E, IS-0117JE, IS-5781406000JE, IS-5781406100JE
Crimp Specification	CS-505073-001
Packaging Specification	SPK-505073-001
Product Specification	PS-505071-001
Sales Drawing	5781406000, 5781406100, SD-505073-001



EU ELV

Not Relevant

EU RoHS

Compliant

China RoHS

REACH SVHC

Contains SVHC(2015 June 15): No

Halogen-Free

Status

Low-Halogen

Need more information on product environmental compliance?

Email productcompliance@molex.com
Please visit the [Contact Us](#) section for any non-product compliance questions.

China ROHS

ELV

Green Image

Not Relevant

Search Parts in this Series

[505073](#) Series

Mates With

TermiMate™ PCB Plug Terminal
[505071-0101](#)

Application Tooling | FAQ

Tooling specifications and manuals are found by selecting the products below. Crimp Height Specifications are then contained in the Application Tooling Specification document.

Global

Description

Product #

Unlatching Tool for TermiMate™ 505071 Plug Terminal for removal of TermiMate™ 505073 Crimp Terminal Receptacle	0638245010
--	----------------------------

Hand Crimp Tool for [0638277600](#)
TermiMate™ Crimp
Terminal Receptacle,
22-26 AWG Wire
Hand Crimp Tool for [0638277500](#)
TermiMate™ Crimp
Terminal Receptacle,
22-26 AWG Wire

This document was generated on 07/21/2015

PLEASE CHECK WWW.MOLEX.COM FOR LATEST PART INFORMATION