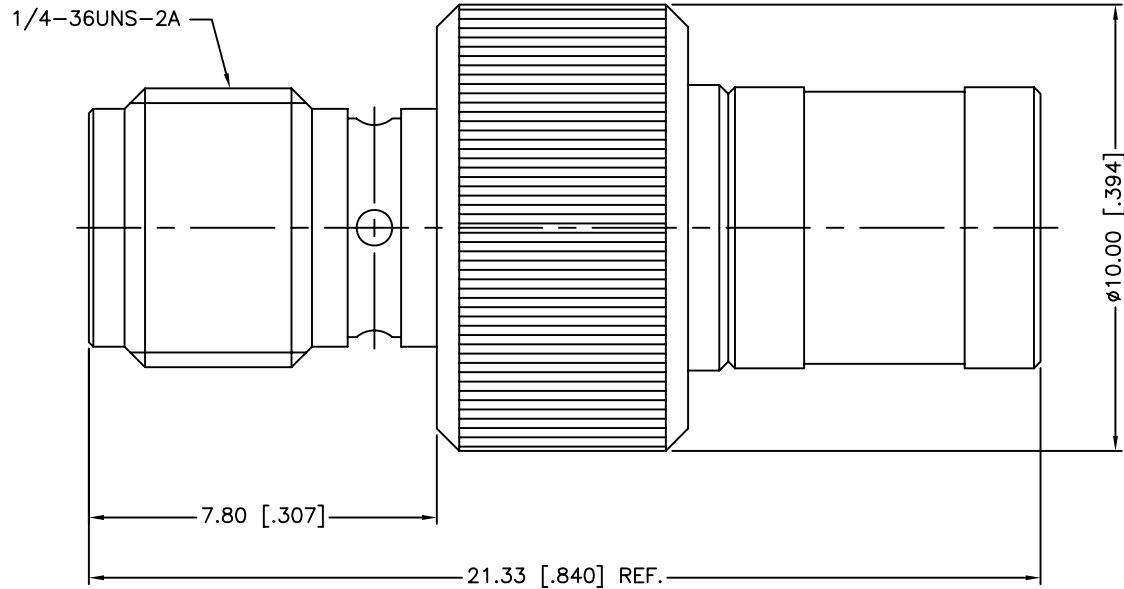


REV.	DATE	ECR NO.	DESCRIPTION
NC	09/22/02	XXXXXX	INITIAL RELEASE
A	10/18/12	XXXXXX	UPDATE DRAWING FORMAT



1. IMPEDANCE:50 OHM
2. FREQUENCY RANGE: DC 0-4 GHz
3. DIELECTRIC WITHSTANDING VOLTAGE: 1000 VRMS.
4. DURABILITY:500 CYCLES MIN.
5. TEMPERATURE RANGE: -65°C TO +165°C
6. INSULATOR MUST WITHSTAND A 6 lbs. MIN. PUSHOUT FORCE

				UNLESS OTHERWISE SPECIFIED DIMENSIONS ARE IN MILLIMETERS. DIMENSIONS IN [] ARE IN INCHES AND FOR CUSTOMER REFERENCE ONLY.	APPROVALS	DATE	Amphenol Connex						
5	RETAINER RING	BERYLLIUM COPPER	NATURAL	1	DRAWN	M.ZHANG				10/18/12	PART DESCRIPTION SMA FEMALE TO SMB REVERSE POLARITY MALE ADAPTER		
4	SHELL	BRASS	GOLD	1	CHECKED			PART NO. 242145RP					
3	CONTACT PIN	BERYLLIUM COPPER	GOLD	1	ISSUED						DWG. NO. 242145RP.DWG		
2	INSULATOR	PTFE	NATURAL	1	SHEET	1 OF 1		REV.	A	SIZE			
1	HOUSING	BRASS	GOLD	1	CAD FILE C:/CONNEX/242145RP.DWG								
DESCRIPTION				MATERIAL	FINISH	QTY	DO NOT SCALE DRAWING						

UNLESS OTHERWISE SPECIFIED DIMENSIONS ARE IN MILLIMETERS. DIMENSIONS IN [] ARE IN INCHES AND FOR CUSTOMER REFERENCE ONLY.

UNLESS OTHERWISE SPECIFIED TOLERANCES FOR MILLIMETERS ARE:
0.5 - 8mm ± 0.20mm
8 - 30mm ± 0.40mm
30 - 120mm ± 0.50mm

UNLESS OTHERWISE SPECIFIED TOLERANCES FOR INCHES ARE:
.020 - .315 = ± 0.007"
.315 - 1.180 = ± 0.015"
1.180 - 4.724 = ± 0.020"

DO NOT SCALE DRAWING