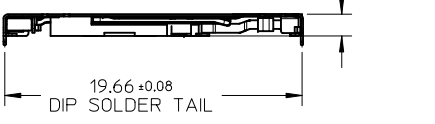
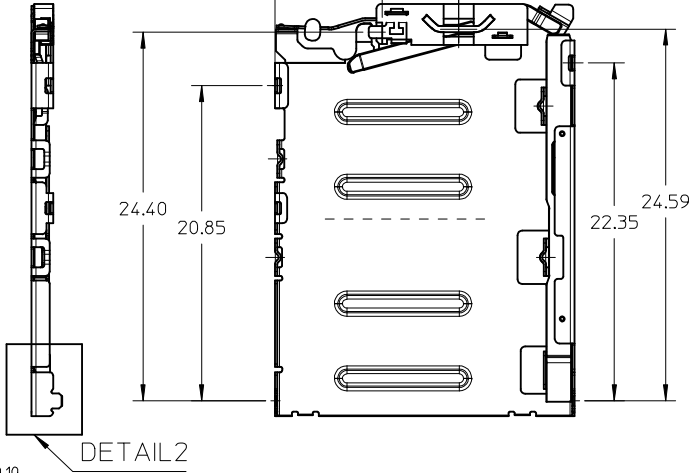
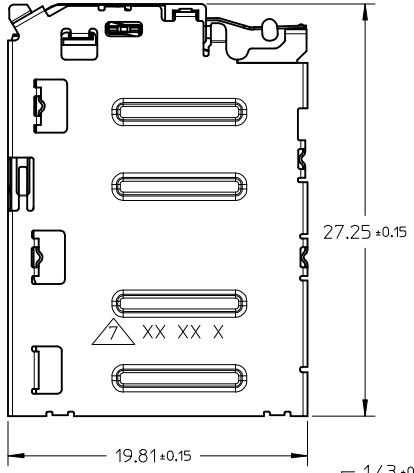
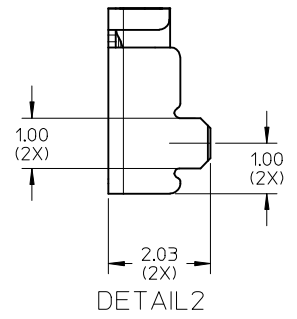
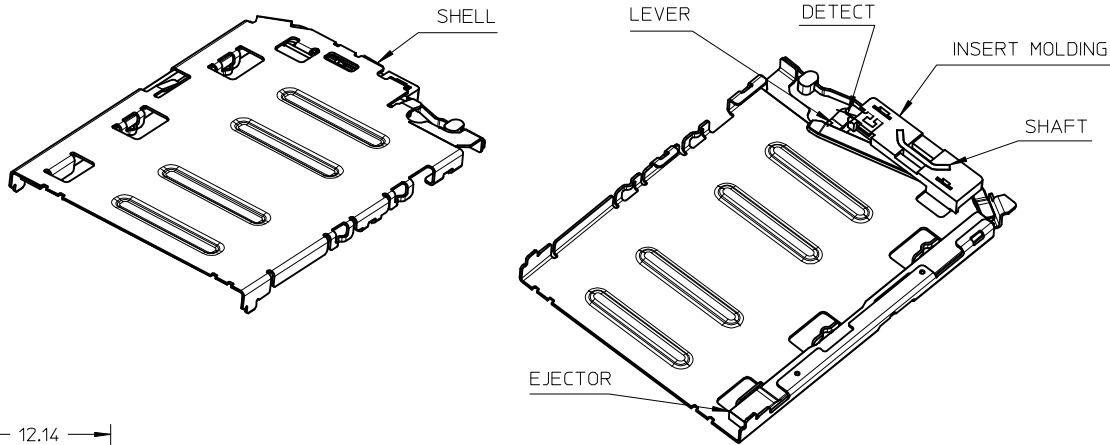


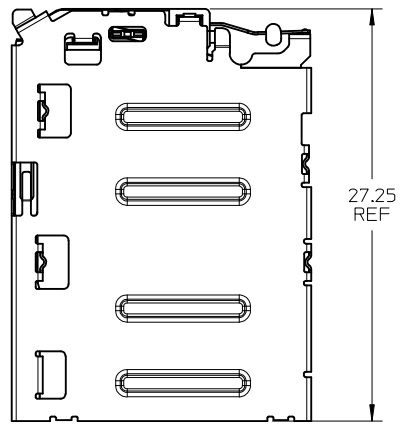
THIS DESIGN IS BASED ON DESIGN OBJECTIVES AND IS STRICTLY TENTATIVE. IT MAY CHANGE BASED ON RESULTS OF ADDITIONAL DESIGN REVIEWS & VERIFICATIONS.



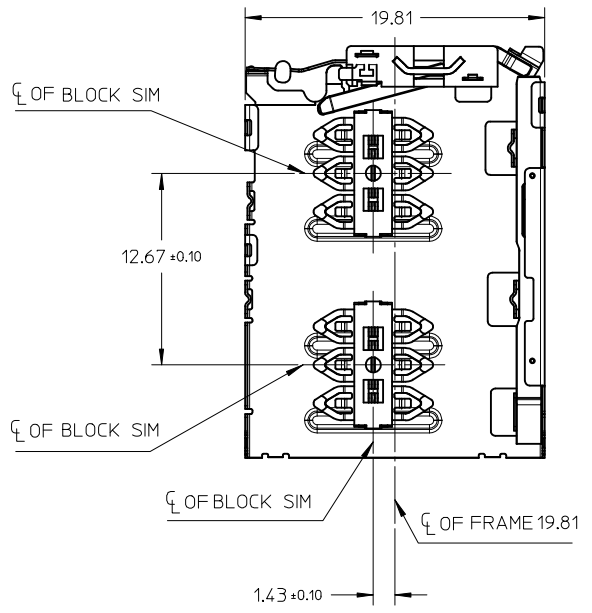
- NOTES:
- MATERIALS:
INSERT MOLD HOUSING: LCP, UL94V-0;
LEVER, SHAFT, EJECTOR, SHELL: STAINLESS STEEL;
DETECT SPRING: COPPER ALLOY;
 - FINISHES:
DETECT SPRING:
1.27um MIN. NICKEL UNDERPLATING OVERALL;
0.127um MIN. GOLD PLATING ON CONTACT AREA;
1.27 um MIN. TIN PLATING ON SOLDERING TAIL;
SHELL:
1.27um MIN NICKEL UNDERPLATING OVERALL;
0.025um MIN GOLD PLATING ON CONTACT AREA AND SOLDERING AREA;
SHAFT: 1.27um MIN TIN ON SOLDERING TAIL;
 - PRODUCT SPECIFICATION: PS-151031-2001;
 - PACKAGING SPECIFICATION: PK-151031-0001;
 - SOLDER TAIL COPLANARITY: 0.10 MM MAX BEFORE REFLOW
 - THIS PART IS A FRAME ONLY, IT SHOULD BE USED TOGETHER WITH 0.38MM BLOCK SIM 151130 FOR AN ENTIRE SIM POP OUT SYSTEM;
 - DATE CODE PRINTED: XX XX X
 - DAY
 - WEEK
 - YEAR

UPDATED DRAWING FOR TYPE EC NO: S2015-1182 DRWN: JZENG CHKD: JTAN02 APPR: KHL IM	2015/06/29 2015/07/07 2015/07/22	DESCRIPTION 12	QUALITY SYMBOLS	GENERAL TOLERANCES (UNLESS SPECIFIED)	DIMENSION STYLE	SCALE	DESIGN UNITS	THIRD ANGLE PROJECTION	
			$F_A=0$ $F_B=0$ $F_P=0$	mm INCH 4 PLACES ± --- ± --- 3 PLACES ± --- ± --- 2 PLACES ± 0.20 ± --- 1 PLACE ± 0.20 ± --- 0 PLACE ± --- ± ---	MM ONLY	NTS	METRIC		
			ANGULAR ± 3 °	DRAWN BY: JZENG DATE: 2014/07/01	TITLE: DUAL SIM FRAME CONNECTOR 1.43H				
			DRAFT WHERE APPLICABLE MUST REMAIN WITHIN DIMENSIONS	CHECKED BY: JTAN02 DATE: 2014/07/01	molex				
	APPROVED BY: DATE:	MATERIAL NO. 1510312001	DOCUMENT NO. SD-151031-0001	SHEET NO. 1 OF 5					
					THIS DRAWING CONTAINS INFORMATION THAT IS PROPRIETARY TO MOLEX INCORPORATED AND SHOULD NOT BE USED WITHOUT WRITTEN PERMISSION				

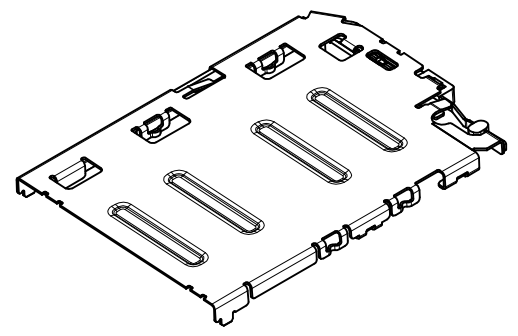
SIM CONNECTOR
(WITH 151130 BLOCK SIM CONNECTOR)



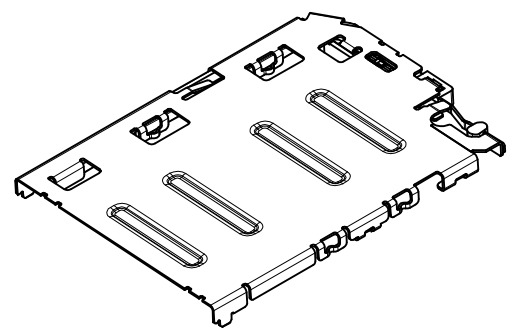
27.25
REF



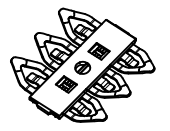
SIM CONNECTOR BOM



FRAME + BLOCK SIM



151031 SERIES



151130 SERIES

THIS DESIGN IS BASED ON DESIGN OBJECTIVES AND IS STRICTLY TENTATIVE. IT MAY CHANGE BASED ON RESULTS OF ADDITIONAL DESIGN REVIEWS & VERIFICATIONS.

SEE SHEET 1	EC NO: S2015-1182	2015/06/29
	DRWN: JZENG	2015/07/07
	CHKD: JTAN02	2015/07/07
	APPR: KHL IM	2015/07/22

REV	DESCRIPTION
12	

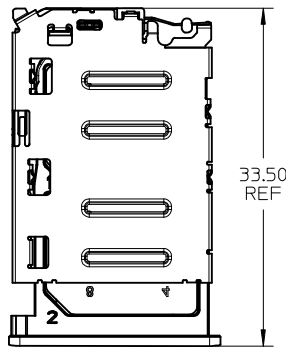
QUALITY SYMBOLS	$F_A = 0$ $F_C = 0$ $F_P = 0$																		
GENERAL TOLERANCES (UNLESS SPECIFIED)	<table border="1"> <tr> <td></td> <td>mm</td> <td>INCH</td> </tr> <tr> <td>4 PLACES</td> <td>± ---</td> <td>± ---</td> </tr> <tr> <td>3 PLACES</td> <td>± ---</td> <td>± ---</td> </tr> <tr> <td>2 PLACES</td> <td>± 0.20</td> <td>± ---</td> </tr> <tr> <td>1 PLACE</td> <td>± 0.20</td> <td>± ---</td> </tr> <tr> <td>0 PLACE</td> <td>± ---</td> <td>± ---</td> </tr> </table>		mm	INCH	4 PLACES	± ---	± ---	3 PLACES	± ---	± ---	2 PLACES	± 0.20	± ---	1 PLACE	± 0.20	± ---	0 PLACE	± ---	± ---
	mm	INCH																	
4 PLACES	± ---	± ---																	
3 PLACES	± ---	± ---																	
2 PLACES	± 0.20	± ---																	
1 PLACE	± 0.20	± ---																	
0 PLACE	± ---	± ---																	
	ANGULAR ± 3 °																		
DRAFT WHERE APPLICABLE MUST REMAIN WITHIN DIMENSIONS																			

DIMENSION STYLE MM ONLY	
DRAWN BY	DATE
JZENG	2014/07/01
CHECKED BY	DATE
JTAN02	2014/07/01
APPROVED BY	DATE
MATERIAL NO. 1510312001	
SIZE A3	

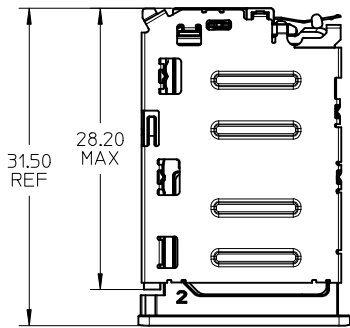
SCALE NTS	DESIGN UNITS METRIC	THIRD ANGLE PROJECTION
TITLE DUAL SIM FRAME CONNECTOR 1.43H		
DOCUMENT NO. SD-151031-0001		SHEET NO. 2 OF 5
THIS DRAWING CONTAINS INFORMATION THAT IS PROPRIETARY TO MOLEX INCORPORATED AND SHOULD NOT BE USED WITHOUT WRITTEN PERMISSION		



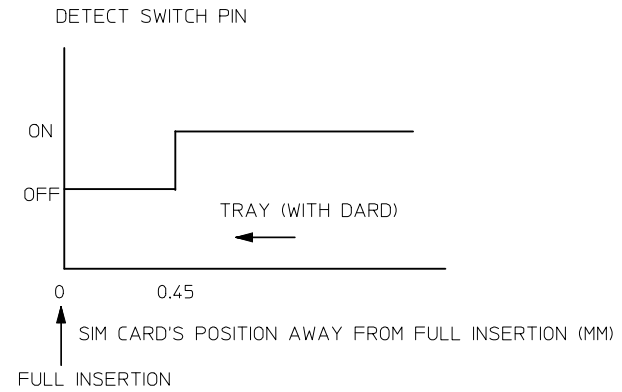
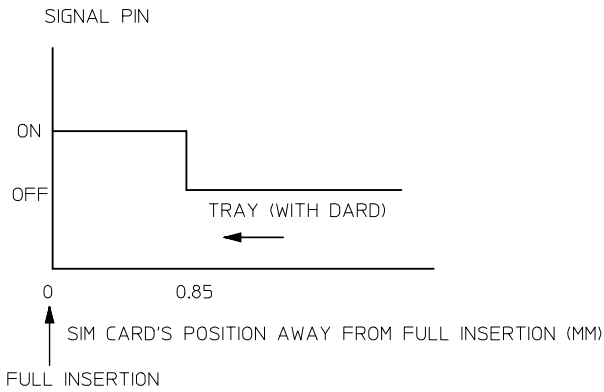
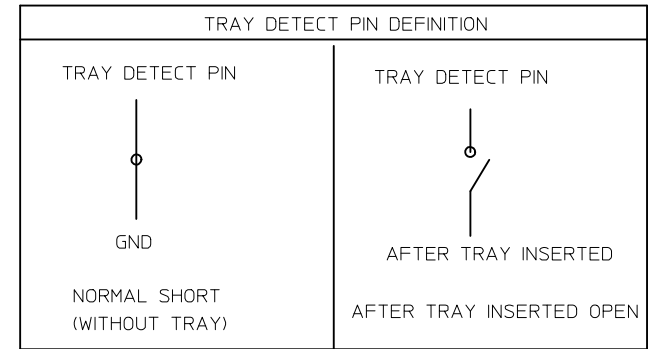
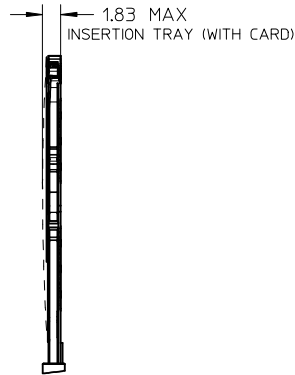
SIM CONNECTOR FRAME AND TRAY



TRAY EJECTED POSITION

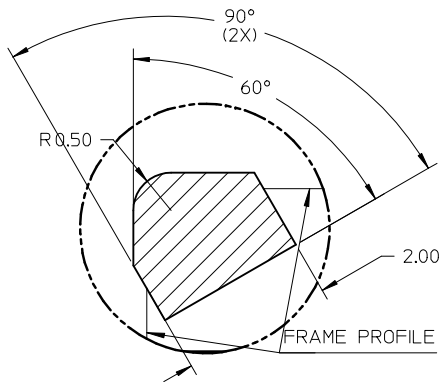


TRAY INSERTION POSITION

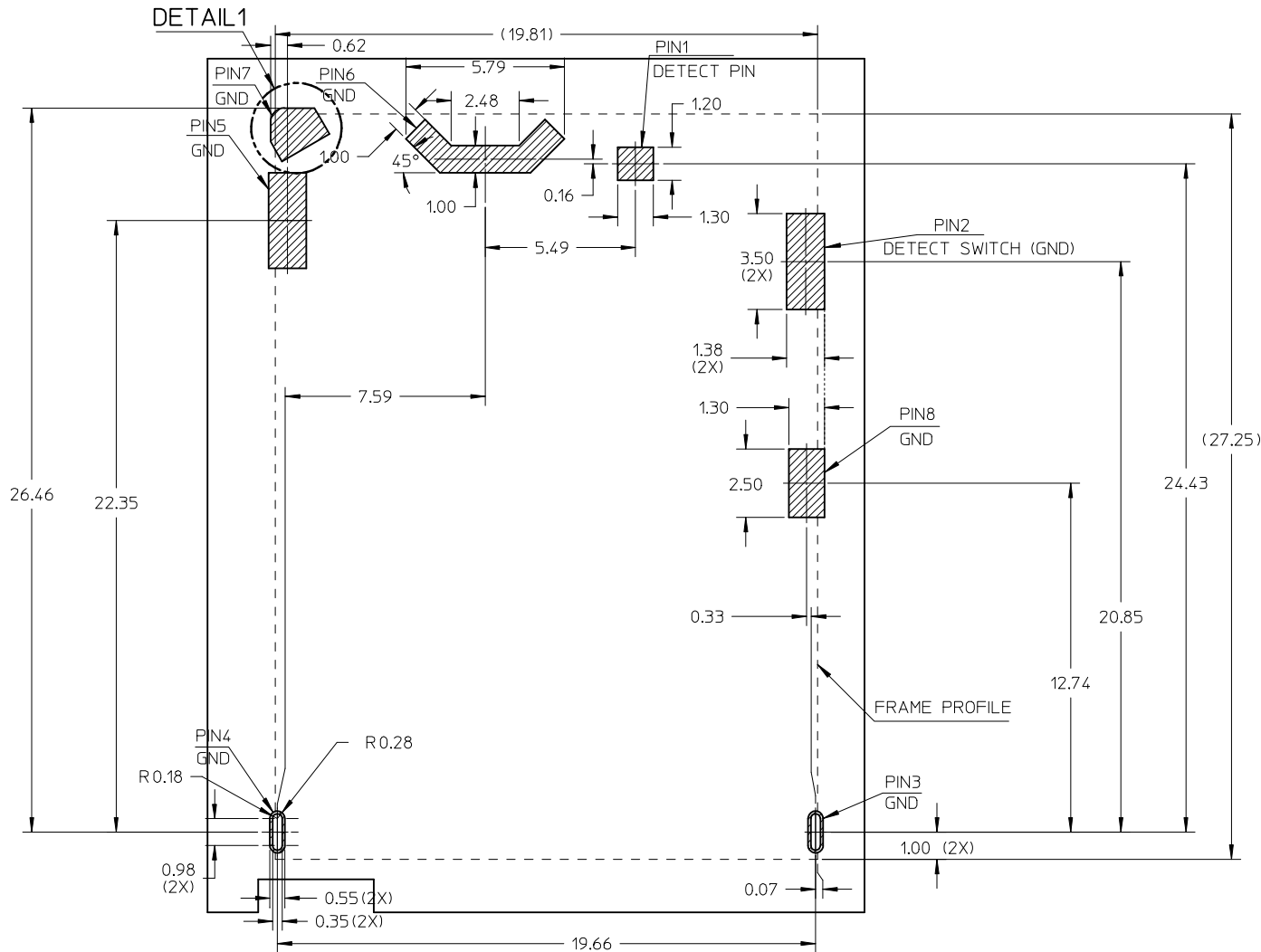


<p>SEE SHEET 1</p> <p>EC NO: S2015-1182</p> <p>DRWN: JZENG</p> <p>CHKD: JTAN02</p> <p>APPR: KHLIM</p> <p>2015/06/29</p> <p>2015/07/07</p> <p>2015/07/22</p>	<p>QUALITY SYMBOLS</p> <p>$F_A=0$</p> <p>$F_G=0$</p> <p>$F_P=0$</p>	<p>GENERAL TOLERANCES (UNLESS SPECIFIED)</p> <table border="1"> <thead> <tr> <th></th> <th>mm</th> <th>INCH</th> </tr> </thead> <tbody> <tr> <td>4 PLACES</td> <td>± ---</td> <td>± ---</td> </tr> <tr> <td>3 PLACES</td> <td>± ---</td> <td>± ---</td> </tr> <tr> <td>2 PLACES</td> <td>± 0.20</td> <td>± ---</td> </tr> <tr> <td>1 PLACE</td> <td>± 0.20</td> <td>± ---</td> </tr> <tr> <td>0 PLACE</td> <td>± ---</td> <td>± ---</td> </tr> </tbody> </table>		mm	INCH	4 PLACES	± ---	± ---	3 PLACES	± ---	± ---	2 PLACES	± 0.20	± ---	1 PLACE	± 0.20	± ---	0 PLACE	± ---	± ---	<p>DIMENSION STYLE</p> <p>MM ONLY</p>	<p>SCALE</p> <p>DESIGN UNITS</p> <p>METRIC</p>	<p>THIRD ANGLE PROJECTION</p>
		mm	INCH																				
	4 PLACES	± ---	± ---																				
	3 PLACES	± ---	± ---																				
2 PLACES	± 0.20	± ---																					
1 PLACE	± 0.20	± ---																					
0 PLACE	± ---	± ---																					
		<table border="1"> <thead> <tr> <th>DRAWN BY</th> <th>DATE</th> <th>TITLE</th> </tr> </thead> <tbody> <tr> <td>JZENG</td> <td>2014/07/01</td> <td rowspan="3">DUAL SIM FRAME CONNECTOR 1.43H</td> </tr> <tr> <th>CHECKED BY</th> <th>DATE</th> </tr> <tr> <td>JTAN02</td> <td>2014/07/01</td> </tr> </tbody> </table>	DRAWN BY	DATE	TITLE	JZENG	2014/07/01	DUAL SIM FRAME CONNECTOR 1.43H	CHECKED BY	DATE	JTAN02	2014/07/01	<p>molex</p>										
DRAWN BY	DATE	TITLE																					
JZENG	2014/07/01	DUAL SIM FRAME CONNECTOR 1.43H																					
CHECKED BY	DATE																						
JTAN02	2014/07/01																						
		<p>ANGULAR ± 3 °</p> <p>DRAFT WHERE APPLICABLE MUST REMAIN WITHIN DIMENSIONS</p>	<p>MATERIAL NO.</p> <p>1510312001</p>	<p>DOCUMENT NO.</p> <p>SD-151031-0001</p>	<p>SHEET NO.</p> <p>3 OF 5</p>																		
<p>12</p>	<p>REV</p>		<p>SIZE</p> <p>A3</p>	<p>THIS DRAWING CONTAINS INFORMATION THAT IS PROPRIETARY TO MOLEX INCORPORATED AND SHOULD NOT BE USED WITHOUT WRITTEN PERMISSION</p>																			

151031 FRAME SOLDERING AREA: 




DETAIL1

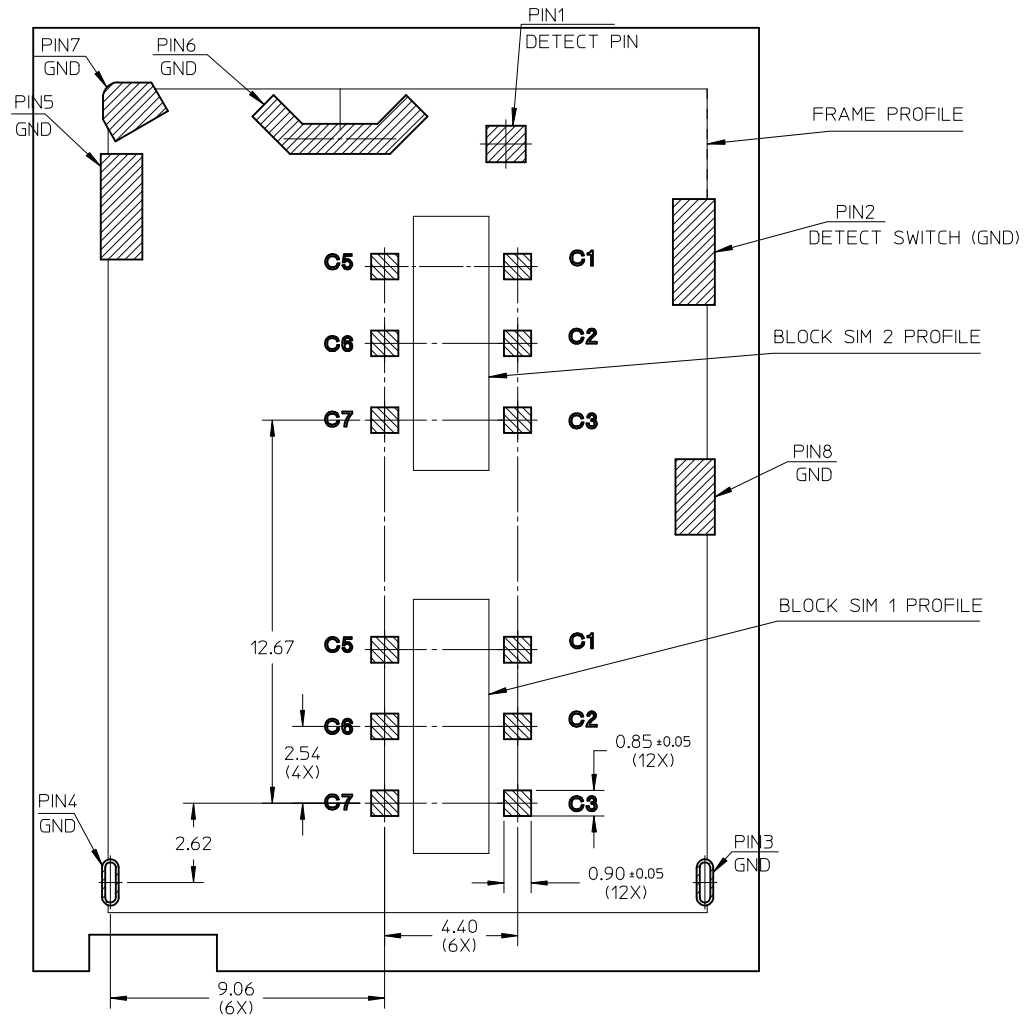


THIS DESIGN IS BASED ON DESIGN OBJECTIVES AND IS STRICTLY TENTATIVE. IT MAY CHANGE BASED ON RESULTS OF ADDITIONAL DESIGN REVIEWS & VERIFICATIONS.

RECOMMENDED PCB LAYOUT: TOLERANCE ±0.05
 RECOMMENDED PCB THICKNESS: 1.00MM
 RECOMMENDED STENCIL THICKNESS: 0.10MM

SEE SHEET 1 EC NO: S2015-1182 DRWN: JZENG CHKD: JTAN02 APPR: KHLIM	2015/06/29 2015/07/07 2015/07/22	DESCRIPTION	QUALITY SYMBOLS	GENERAL TOLERANCES (UNLESS SPECIFIED)	DIMENSION STYLE	SCALE	DESIGN UNITS	THIRD ANGLE PROJECTION			
			$F_A=0$ $F_C=0$ $F_P=0$	mm INCH 4 PLACES ± --- ± --- 3 PLACES ± --- ± --- 2 PLACES ± 0.20 ± --- 1 PLACE ± 0.20 ± --- 0 PLACE ± --- ± ---	MM ONLY	NTS	METRIC	DRAWN BY: JZENG CHECKED BY: JTAN02 APPROVED BY:	DATE: 2014/07/01 DATE: 2014/07/01 DATE:	TITLE	DUAL SIM FRAME CONNECTOR 1.43H
			ANGULAR ± 3 ° DRAFT WHERE APPLICABLE MUST REMAIN WITHIN DIMENSIONS	MATERIAL NO. 1510312001	DOCUMENT NO. SD-151031-0001	SHEET NO. 4 OF 5					
			SIZE A3	THIS DRAWING CONTAINS INFORMATION THAT IS PROPRIETARY TO MOLEX INCORPORATED AND SHOULD NOT BE USED WITHOUT WRITTEN PERMISSION							

151031 FRAME SOLDERING AREA: 
 151130 BLOCK SIM SOLDERING AREA: 



THIS DESIGN IS BASED ON DESIGN OBJECTIVES AND IS STRICTLY TENTATIVE. IT MAY CHANGE BASED ON RESULTS OF ADDITIONAL DESIGN REVIEWS & VERIFICATIONS.

RECOMMENDED PCB LAYOUT: TOLERANCE ± 0.05
 RECOMMENDED PCB THICKNESS: 1.0MM
 RECOMMENDED STENCIL THICKNESS: 0.10MM

SEE SHEET 1 EC NO: S2015-1182 DRWN: JZENG CHKD: JTAN02 APPR: KHLIM	2015/06/29 2015/07/07 2015/07/22	DESCRIPTION	QUALITY SYMBOLS	GENERAL TOLERANCES (UNLESS SPECIFIED)	DIMENSION STYLE	SCALE	DESIGN UNITS	THIRD ANGLE PROJECTION
			$F_A=0$	mm INCH	MM ONLY	NTS	METRIC	
			$F_C=0$	4 PLACES \pm --- \pm ---	DRAWN BY DATE			TITLE
			$F_P=0$	3 PLACES \pm --- \pm ---	JZENG 2014/07/01			DUAL SIM FRAME CONNECTOR 1.43H
	2 PLACES ± 0.20 \pm ---	CHECKED BY DATE						
	1 PLACE ± 0.20 \pm ---	JTAN02 2014/07/01						
	0 PLACE \pm --- \pm ---	APPROVED BY DATE						
			ANGULAR $\pm 3^\circ$	MATERIAL NO.	DOCUMENT NO.	SHEET NO.		
			DRAFT WHERE APPLICABLE MUST REMAIN WITHIN DIMENSIONS	1510312001	SD-151031-0001	5 OF 5		
				SIZE A3	THIS DRAWING CONTAINS INFORMATION THAT IS PROPRIETARY TO MOLEX INCORPORATED AND SHOULD NOT BE USED WITHOUT WRITTEN PERMISSION			

