



PRODUCT DATASHEET

Tina series

last update 15/11/2012

DETAILS

Product Number	FA12310_TINA-D
Family	Tina
Type	Assembly
Color	white
Diameter	16.1 mm
Height	9.4 mm
Style	round
Optic Material	PMMA
Holder Material	PC
Fastening	pin, tape
Status	ready
ROHS Compliant	Yes
Date Updated	15/11/2012



OPTICAL PROPERTIES

LED	Viewing Angle	Light Beam	Efficiency	cd/lm	Connector
LUXEON Rebel ES	19 deg	Diffuser	88 %	5.440	-

D

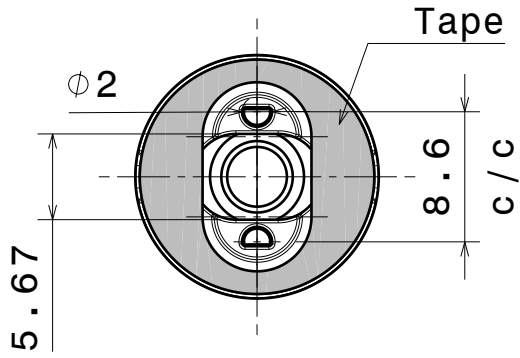
C

B

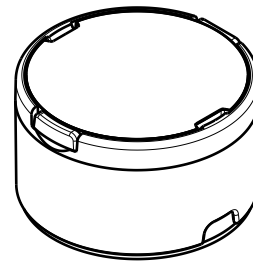
A

4

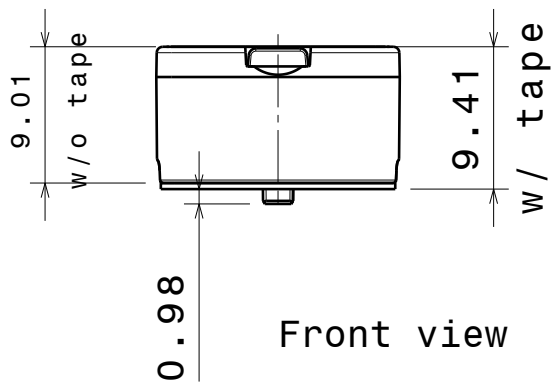
4



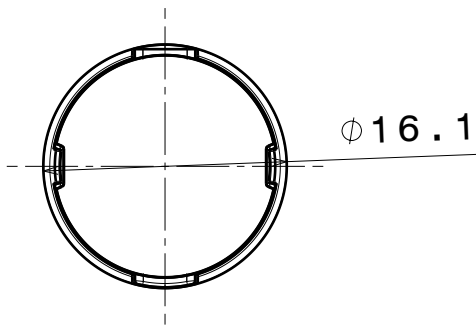
Bottom view



Isometric view



Front view



Top view

Materials
 Lens: PMMA
 Holder: PC
 Tape: PU Foam

3

3

2

2

1

1

This drawing is our property.
 It can't be reproduced
 or communicated without
 our written agreement.

LEDiL LediL Oy
 Salorankatu 10
 FIN 24240 SALO
 Finland

DRAWING TITLE Mechanical Drawing

DRAWN BY as
 DATE 10.9.2012

TINA-RE

CHECKED BY sn
 DATE -

SIZE A4 PART NUMBER TINA-RE REV 001

DESIGNED BY -
 DATE -

SCALE 2:1 WEIGHT 1,46 g SHEET 1/1

D

A

NOTE: The typical divergence will be changed by different color, chip size and chip position tolerance. The typical total divergence is the full angle measured where the luminous intensity is half of the peak value.