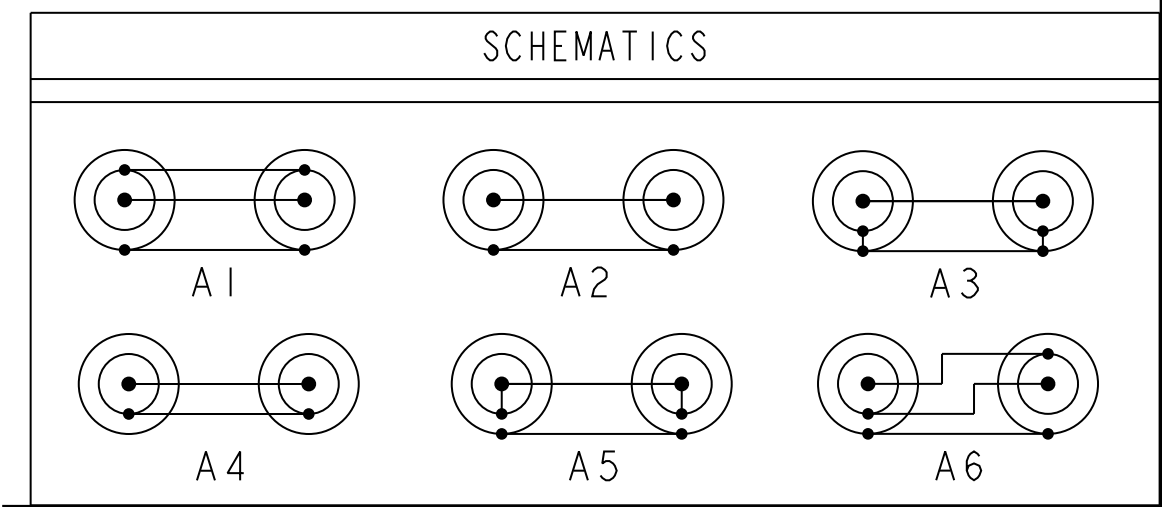
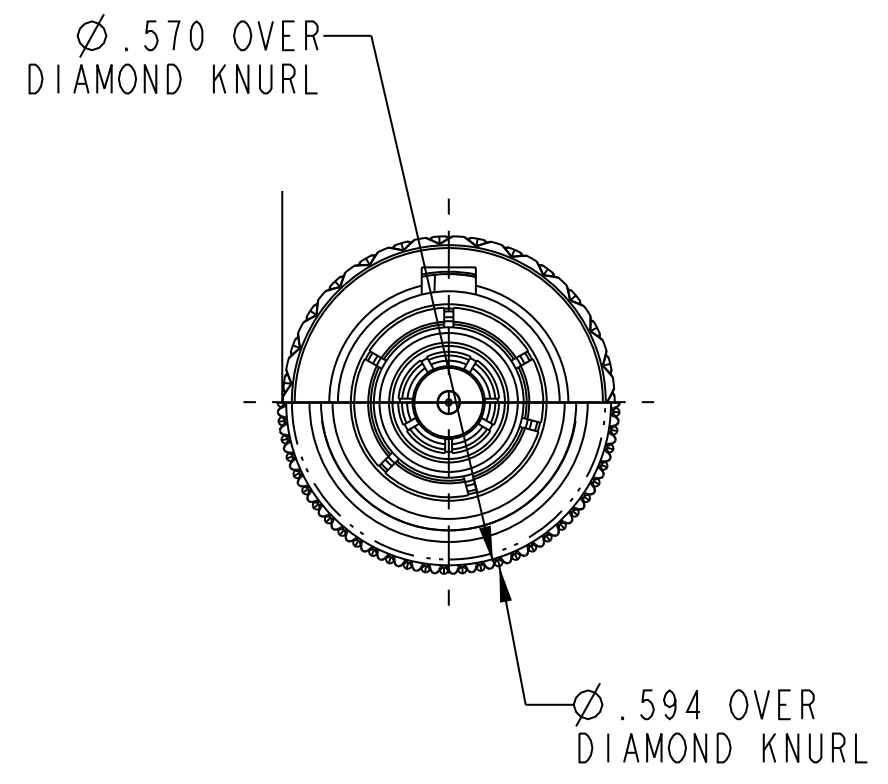
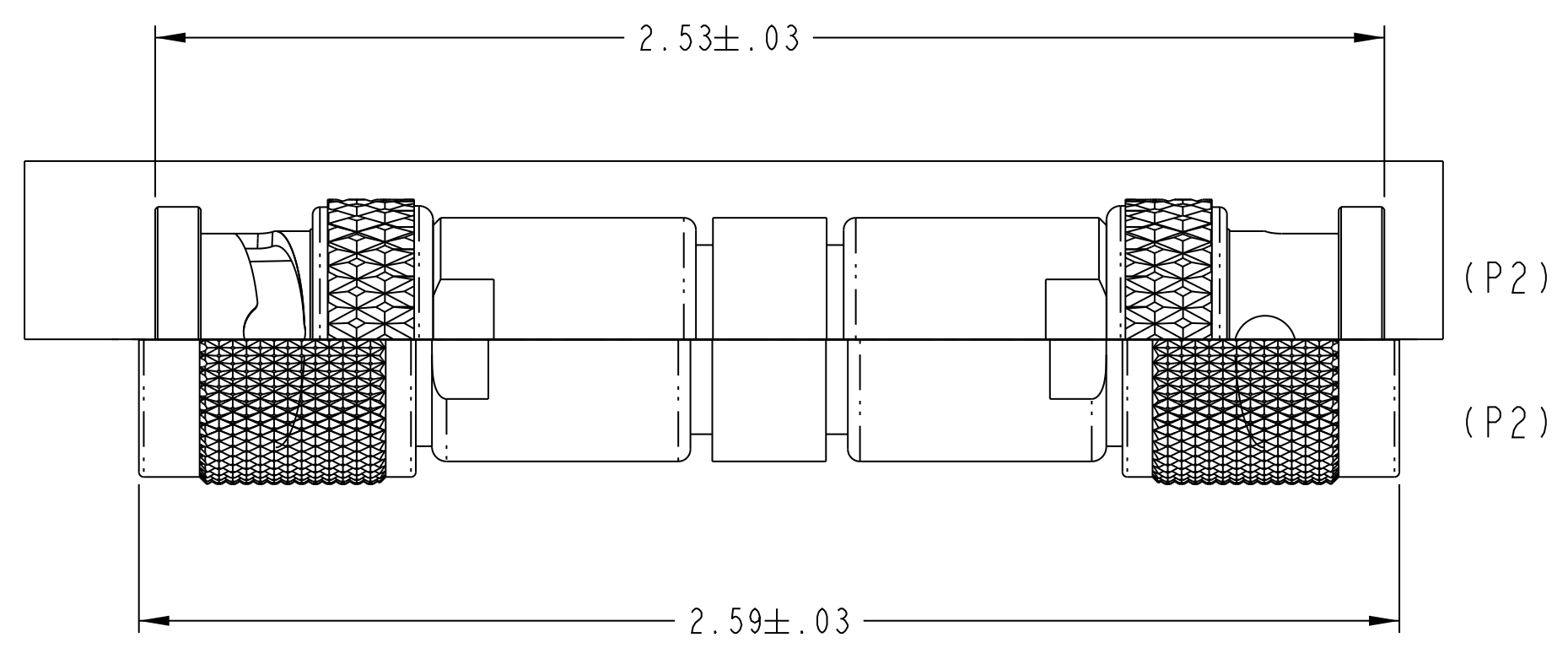


P2 CONN TYPE	FIG NO	PI CONN TYPE																							
		PL74						PL75						PL75FL						PL375					
		SCHEMATICS																							
		A1	A2	A3	A4	A5	A6	A1	A2	A3	A4	A5	A6	A1	A2	A3	A4	A5	A6	A1	A2	A3	A4	A5	A6
PL74	IA	-1	-2	-3	-4	-5	-6	-7	-8	-9	-10	-11	-12	-19	-20	-21	-22	-23	-24	-37	-38	-39	-40	-41	-42
PL75	IA	-7	-8	-9	-10	-11	-12	-13	-14	-15	-16	-17	-18	-25	-26	-27	-28	-29	-30	-43	-44	-45	-46	-47	-48
PL75FL	IA	-19	-20	-21	-22	-23	-24	-25	-26	-27	-28	-29	-30	-31	-32	-33	-34	-35	-36	-49	-50	-51	-52	-53	-54
PL375	IB	-37	-38	-39	-40	-41	-42	-43	-44	-45	-46	-47	-48	-49	-50	-51	-52	-53	-54	-55	-56	-57	-58	-59	-60

DATA CONTAINED IN THIS DOCUMENT IS PROPRIETARY TO EMERSON CONNECTIVITY SOLUTIONS AND SHALL NOT BE DISCLOSED, COPIED OR USED FOR PROCUREMENT OR MANUFACTURE WITHOUT EXPRESS WRITTEN PERMISSION

REVISIONS			
REV	DESCRIPTIONS	DATE	APPROVED
B	ECO 53552	8/1/11	BRR

FIG IA (PI)
FIG IB (PI)



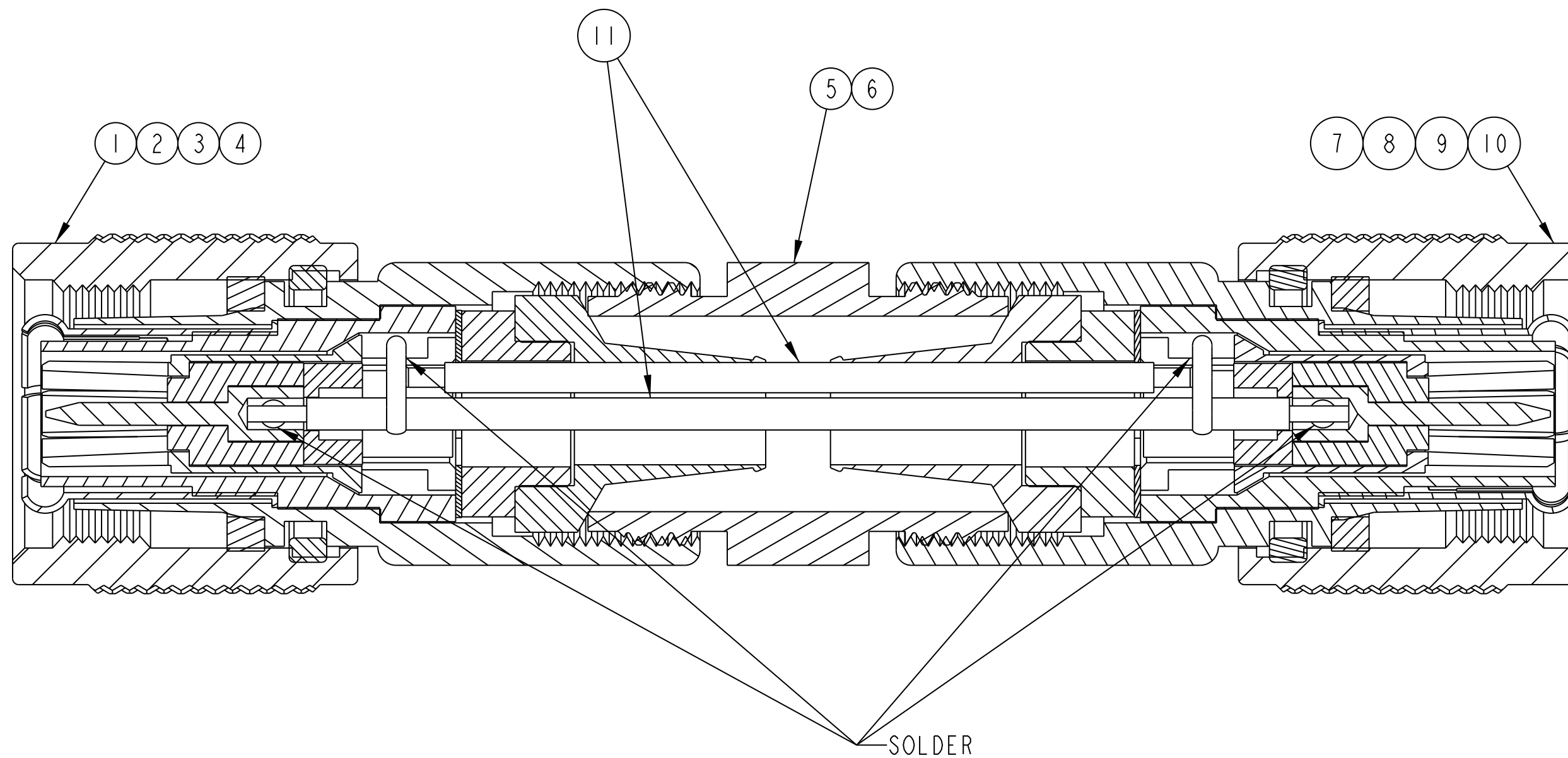
2. WITHIN AND BETWEEN SERIES ADAPTER, MALE CONCENTRIC TWINAX/TRIAX 2/3/4-LUG AND THREADED BAYONET PLUG, TO MALE CONCENTRIC TWINAX/TRIAX 2/3/4-LUG AND THREADED BAYONET PLUG.

1. FINISH TFS-IA (NICKEL).

NOTES: UNLESS OTHERWISE SPECIFIED.

1 INTERPRET DRAWING PER MIL-STD-100. DIMENSIONS ARE IN INCHES AND INCLUDE FINISH THICKNESS UNLESS OTHERWISE SPECIFIED.		TOL: UNLESS SPECIFIED.		Connectivity Solutions 299 Johnson Ave. Ste. 100 Waseca, MN 56093 1-800-247-8256	
DRN C. WALLACE	4/1/11	MATERIAL:		TITLE: ADAPTERS: MALE 70 SERIES TO MALE 70 SERIES	
CHK T. KOHLER	4/2/11	FINISH:		SIZE	CAGE CODE
QUALITY				14949	DRAWING NO.
MANUF				22-05	REV.
APPROVED				3/1	B
N/A	PROJ/FILE NO. 22-05	DO NOT SCALE DWG	SCALE	DATE	SHEET
SURFACE AREA			3/1	4/5/75	1 OF 2

DASH NO	ITEMS REQD
-1	5, 7
-2	5, 7
-3	5, 7
-4	6, 7
-5	5, 7
-6	5, 7
-7	1, 2, 5
-8	1, 2, 5
-9	1, 2, 5
-10	1, 2, 6
-11	1, 2, 5
-12	1, 2, 5
-13	5, 8
-14	5, 8
-15	5, 8
-16	6, 8
-17	5, 8
-18	5, 8
-19	1, 2, 5
-20	1, 2, 5
-21	1, 2, 5
-22	1, 2, 6
-23	1, 2, 5
-24	1, 2, 5
-25	2, 3, 5
-26	2, 3, 5
-27	2, 3, 5
-28	2, 3, 6
-29	2, 3, 5
-30	2, 3, 5
-31	5, 9
-32	5, 9
-33	5, 9
-34	6, 9
-35	5, 9
-36	5, 9
-37	1, 4, 5
-38	1, 4, 5
-39	1, 4, 5
-40	1, 4, 6
-41	1, 4, 5
-42	1, 4, 5
-43	2, 4, 5
-44	2, 4, 5
-45	2, 4, 5
-46	2, 4, 6
-47	2, 4, 5
-48	2, 4, 5
-49	3, 4, 5
-50	3, 4, 5
-51	3, 4, 5
-52	3, 4, 6
-53	3, 4, 5
-54	3, 4, 5
-55	5, 10
-56	5, 10
-57	5, 10
-58	6, 10
-59	5, 10
-60	5, 10



-55 SHOWN

QTY	DESCRIPTION	PART NUMBER	ITEM
1	A/R BUSS WIRE, INSULATED	700-1108	11
2	PL375-A9	315-0011-A9	10
2	PL75FL-A9	310-0006-A9	9
2	PL75-A9	310-0002-A9	8
2	PL74-A9	310-0025-A9	7
1	ADAPTER	8-0127-3	6
1	ADAPTER	8-0127-1	5
1	PL375-A9	315-0011-A9	4
1	PL75FL-A9	310-0006-A9	3
1	PL75-A9	310-0002-A9	2
1	PL74-A9	310-0025-A9	1

① ITEM 11 REQUIRED ON EACH ASSEMBLY.

NOTES: UNLESS OTHERWISE SPECIFIED.