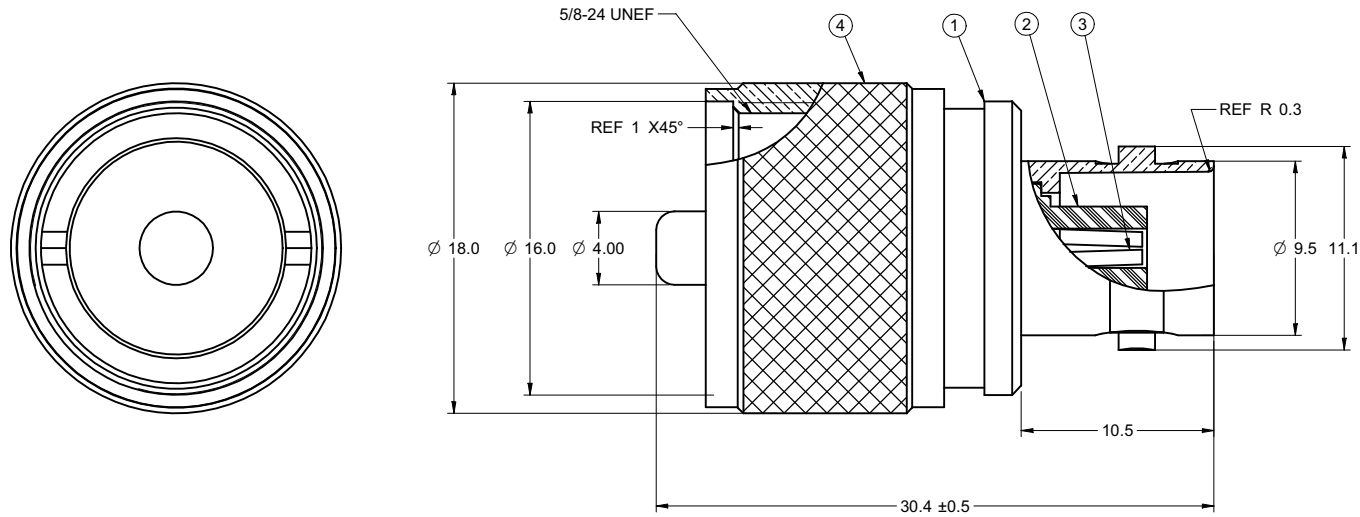


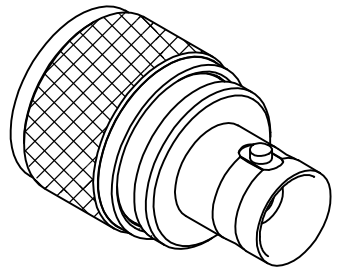
PART NUMBER	ITEM ① BODY	ITEM ② INSULATOR	ITEM ③ CONTACT	ITEM ④ NUT
27-8120	BRASS NICKEL PLATED	DELRIN	BRASS GOLD PLATED	BRASS NICKEL PLATED

DRAWING NO. 27-8120	
REVISIONS	
01	OFFICIAL RELEASE 2009.09. 08-28-09 Y U W T Betty 08-42.51



受控 CONTROLLED DOCUMENT					
编号 P/N	27-8120	版本 Rev	01	日期 Rel'd Date	SEP 14,09

- NOTES:
1. IMPEDANCE: 75 OHMS NOMINAL
 2. PRODUCT SHOULD BE RoHS COMPLIANCE
 3. TECHNICAL DETAIL: REFER TO EMERSON DOCUMENT P/N 27-0000&29-0000.



THIS DRAWING TO BE INTERPRETED
PER ANSI Y 14.5M - 1994

COMPANY CONFIDENTIAL

TOLERANCE UNLESS OTHERWISE SPECIFIED		DRAWN BY BETTY.YU	DATE 08-28-09	<p>Connectivity Solutions</p>
DECIMALS	mm	CHECKED BY TERRY.W	DATE 08-28-09	
X	± 1.0	APPROVED BY THOMAS	DATE 08-28-09	
X.X	± 0.5	U/M	mm	
X.XX	± 0.2			
ANGLES	± 0.5°			
THIS DRAWING WAS PRODUCED BY COMPUTER, DO NOT SCALE DRAWING OR UPDATE MANUALLY.				SHEET 1 OF 1 DRAWING NO. 27-8120 SIZE C