

PLEASE CHECK WWW.MOLEX.COM FOR LATEST PART INFORMATION

Part Number: [0354658000](#)
Status: **Active**
Overview: [bulb sockets](#)
Description: Earth Terminal for PT Bulb Socket, AVSS 0.50~0.85mm²

Documents:

[Drawing \(PDF\)](#) [RoHS Certificate of Compliance \(PDF\)](#)
[Product Specification PS-35842-001 \(PDF\)](#)

General

Product Family	Crimp Terminals
Series	35465
Crimp Quality Equipment	Yes
Overview	bulb sockets
Product Name	Bulb Socket

Physical

Gender	Female
Material - Metal	Phosphor Bronze
Material - Plating Mating	Unplated
Packaging Type	Reel
Termination Interface: Style	Crimp or Compression
Wire Insulation Diameter	1.90mm (.075") max.
Wire Size AWG	18, 20
Wire Size mm ²	N/A

Material Info

Reference - Drawing Numbers

Packaging Specification	PK-35465-001
Product Specification	PS-35842-001
Sales Drawing	SD-35465-001

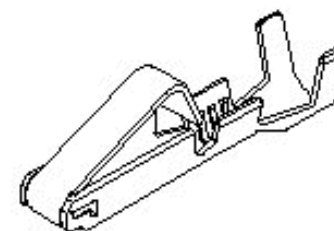


image - Reference only

Series

EU RoHS

**ELV and RoHS
Compliant**
**REACH SVHC
Contains SVHC: No**
**Halogen-Free
Status**

China RoHS



**Need more information on product
environmental compliance?**

Email productcompliance@molex.com
 For a multiple part number RoHS Certificate of Compliance, [click here](#)

Please visit the [Contact Us](#) section for any non-product compliance questions.

Search Parts in this Series

[35465Series](#)

Use With

[35842](#) , [35843](#)

Application Tooling | FAQ

Tooling specifications and manuals are found by selecting the products below. Crimp Height Specifications are then contained in the Application Tooling Specification document.

Global

Description	Product #
Extraction Tool	0638132700
Hand Crimp Tool for Bulb Socket Terminals	0638195100
FineAdjust™ Applicator for Sealed PT-Bulb Socket Earth Terminal	0639011700

This document was generated on 06/01/2010

PLEASE CHECK WWW.MOLEX.COM FOR LATEST PART INFORMATION

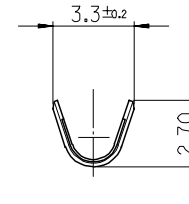
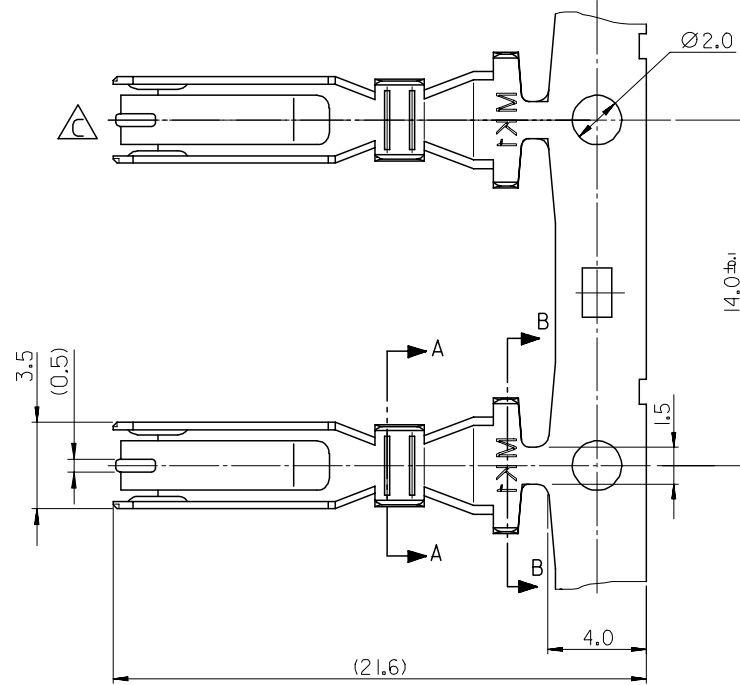
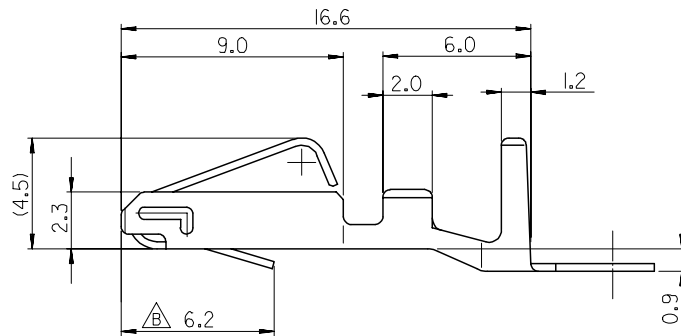
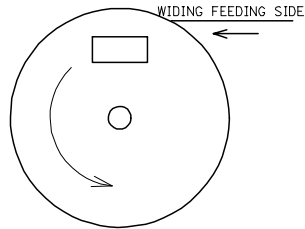
DO NOT SCALE DRAWING
DIMENSION IN METRIC

PROJECT NO.

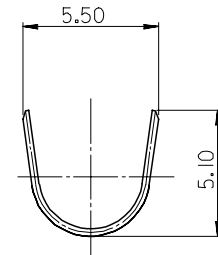
SIMILAR ITEM

DWG. IO.

SD-35465-001



SECT. A-A



SECT. B-B

NOTES

1. APPLICABLE WIRE SIZE :AVS(AVSS)0.5±0.85 SQUIRE MILIMETER
2. APPLICABLE WIRE SEAL PART NO: 35903-0106
3. APPLICABLE SOCKET PART NO: 35842-030*/35843-02**
4. MATERIAL: PHOSPHOR BRONZE,
THICKNESS=0.30 mm,PLATING=UNPLATED

ADDED OF SHAPE EC NO. KOR2007-0032 DRWN: S.M.KIM 06/09/25 CHK: B.C.YOON 06/09/25 APPR: B.C.YOON 06/09/25	QUALITY SYMBOLS MAJOR $\nabla = 0$ CRITICAL $\nabla C = 0$	GENERAL TOLERANCES: (UNLESS SPECIFIED)	SCALE 5:1	DESIGN UNITS <input checked="" type="checkbox"/> mm <input type="checkbox"/> INCH	THIRD ANGLE PROJECTION	DIMENSIONS: <input type="checkbox"/> mm <input type="checkbox"/> INCH <input type="checkbox"/> mm <input type="checkbox"/> INCH <input checked="" type="checkbox"/> mm ONLY	SHT REV											
	DESCRIPTION REV	<table border="1"> <tr> <td>4 PLACES</td> <td>±0.</td> <td>±.</td> </tr> <tr> <td>3 PLACES</td> <td>±0.</td> <td>±.</td> </tr> <tr> <td>2 PLACES</td> <td>±0.20</td> <td>±.</td> </tr> <tr> <td>1 PLACE</td> <td>±0.30</td> <td>±.</td> </tr> </table>	4 PLACES	±0.	±.	3 PLACES	±0.	±.	2 PLACES	±0.20	±.	1 PLACE	±0.30	±.	DRAWN BY & DATE Y.SIK.KIM 98/11/26	CHECKED BY & DATE B.K.CHOI 98/11/30	APPROVED BY & DATE C.W.LEE 98/11/30	TITLE: SEALED PT BULB SOCKET EARTH TERMINAL
4 PLACES	±0.	±.																
3 PLACES	±0.	±.																
2 PLACES	±0.20	±.																
1 PLACE	±0.30	±.																
DRAFT WHERE APPLICABLE MUST REMAIN WITHIN DIMENSIONS			CAD FILENAME sd35465e.dgn	MATERIAL NO. 35465-8000	DRAWING NO. SD-35465-001	SHEET NO. 1 OF 1	SIZE C											