

THICK FILM SIP NETWORKS

CL SERIES - Low Profile

C SERIES - High Power



RESISTORS • CAPACITORS • COILS • DELAY LINES

← New high density Sips, an RCD exclusive!

RCD CL101S

RCD CL101

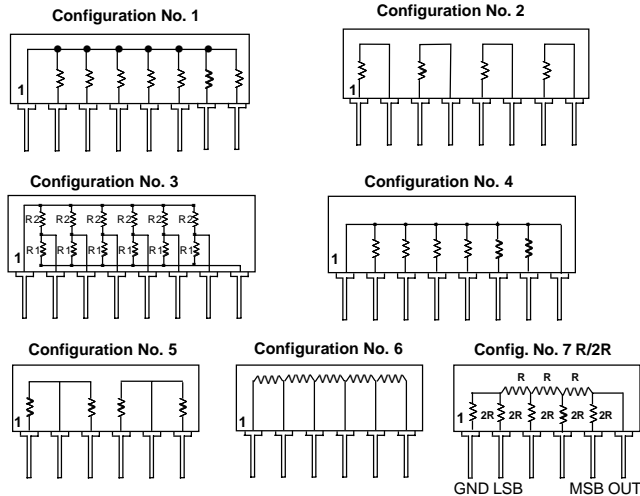
RCD C101

- Low cost, widest selection in the industry!
- 4-pin through 14-pin standard (2 through 20-pin sizes available on special order)
- CL Series low-profile available from stock (configuration 1 & 2 in 6, 8, and 10-pin)
- Wide resis. range: 10Ω to 3MΩ std., 1Ω to 1000M avail.
- Bulk packaging is standard, tape or magazine tube avail.
- R/2R Ladder Networks (Config. 7) offer 1/2LSB accuracy from 4 to 10 bits

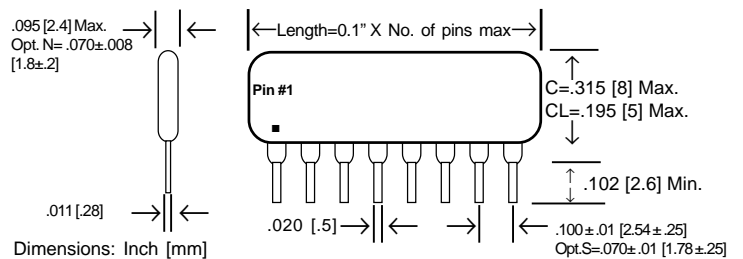


- OPTION V - +200°C temperature Range
- OPTION S - Super high density (.070" pin spacing)
- OPTION P - Pulse tolerant design
- OPTION N - Narrowline design (.070" thick)
- OPTION F - Flameproof coating
- OPTION C - Copper alloy terminals
- Also available in custom circuits with multiple values/capacitors/diodes, increased power & voltage, tolerance & TC matching, longer pins, special marking, military burn-in, resis. values 1Ω to 1000M, etc.

STANDARD CONFIGURATIONS



DIMENSIONS



RCD Type	SINGLE RESISTOR POWER RATING*			PACKAGE POWER RATING*							
	Config. 1,3,4,5,6	Config. 2	Config. 3, 7	4-Pin	6-Pin	7-Pin	8-Pin	9-Pin	10-Pin	12-Pin	
C	.3W	.5W	.17W	1W	1.5W	1.75W	2W	2.25W	2.5W	3W	
CL	.2W	.3W	.125W**	.5W	1W	1.25W	1.5W	1.75W	2W	2.5W	

* Reduce wattage ratings by 1/3 for Opt.S **Config. 7 n/a in CL Series

STANDARD VALUES - Config. 1, 2, 4, 5, 6:

10Ω to 3M in E-24 values (preferred values in bold type)-
10, 11, 12, 13, 15, 16, 18, 20, 22, 24, 27, 30, 33, 36, 39, 43,
47, 51, 56, 62, 68, 75, 82, 91

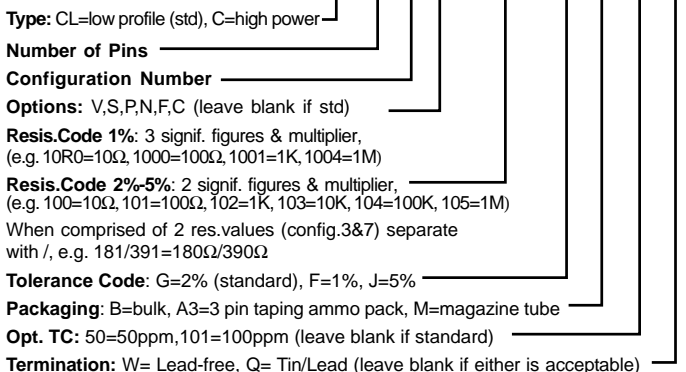
STANDARD VALUES - Config. 3, Dual Terminator, R1/R2 :

81/130	160/260	220/270	330/470
120/195	162/260	220/330	330/680
121/195	180/390	330/390	3K/6.2K

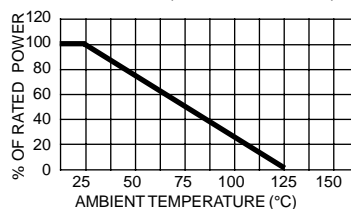
R/2R LADDER NETWORKS (Config. 7): 4Bit/6-pin, 5Bit/7-pin,

6Bit/8-pin, 7Bit/9-pin, 8Bit/10-pin, 9Bit/11-pin, and 10Bit/12-pin.
Available in Series C (low profile Series CL n/a). Linearity accuracy is 1/2LSB. Standard values are 5KΩ, 10KΩ, 25KΩ, 50KΩ, & 100KΩ ±2%.

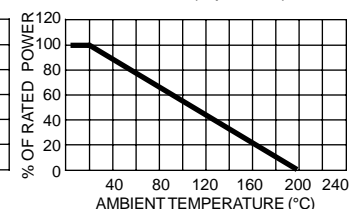
P/N DESIGNATION:



DERATING (Series C and CL)



DERATING (Option V)



TYPICAL PERFORMANCE SPECIFICATIONS

Tolerance	2% Standard (1%, 5% avail.)
Temperature Coefficient	±100ppm typ (±250ppm <50Ω & >2.2M)
TCR Tracking	50PPM typical
Operating Temperature	-55°C to +125°C (+200°C Opt.V)
Max. Working Voltage	200V Series C, 100V Series CL & Opt.S
Short Time Overload	±0.5% (2.5x rated V, 5S, nte 2xW)
Resis. to Solder Heat	±0.25% (350°C, 5S)
Moisture Resistance	±1%
Terminal Strength	±0.25%
Thermal Shock	±0.5%
Load Life (1000 hours)	±1.0%
Temperature Cycling	±0.5%
Shock and Vibration	±0.25%
Lead Solderability	Meets MIL-R-83401
Marking	Pin #1 ID, resis value, & tol as minimum
Terminals	Solder plated steel typ., copper alloy* avail.

* RCD recommends use of copper alloy terminals (opt. C) in aqueous cleaning systems