

PLEASE CHECK WWW.MOLEX.COM FOR LATEST PART INFORMATION

Part Number: [0740401343](#)
Status: **Active**
Overview: [vhdm](#)
Description: 2.00mm (.079") Pitch 8-Row VHDM™ DaughterCard, 25 Wafers, 200 Circuits, Tin Lead, Guide Module

Documents:

[Drawing \(PDF\)](#) [RoHS Certificate of Compliance \(PDF\)](#)
[Product Specification PS-74031-999 \(PDF\)](#)

Agency Certification

UL E29179

General

Product Family Backplane Connectors
 Series [74040](#)
 Application Backplane
 Comments Daughter Card
 Component Type PCB Header
 Overview [vhdm](#)
 Product Name VHDM®
 Style N/A

Physical

Circuits (Loaded) 200
 Circuits (maximum) 200
 Color - Resin Black
 Durability (mating cycles max) 200
 First Mate / Last Break No
 Flammability 94V-0
 Guide to Mating Part Yes
 Keying to Mating Part N/A
 Material - Metal Copper Alloy
 Material - Plating Mating Tin-Lead
 Material - Plating Termination Gold
 Material - Resin High Performance Thermoplastic
 Number of Columns 25
 Number of Pairs N/A
 Number of Rows 8
 Orientation Right Angle
 PCB Locator No
 PCB Retention None
 PCB Thickness Recommended (in) 0.070 In
 PCB Thickness Recommended (mm) 1.80 mm
 Packaging Type Tube
 Pitch - Mating Interface (in) 0.079 In
 Pitch - Mating Interface (mm) 2.00 mm
 Plating min: Mating (µin) 30
 Polarized to PCB No
 Stackable Yes
 Surface Mount Compatible (SMC) Yes
 Temperature Range - Operating -55°C to +80°C
 Termination Interface: Style Through Hole - Compliant Pin

Electrical

Current - Maximum per Contact 1A

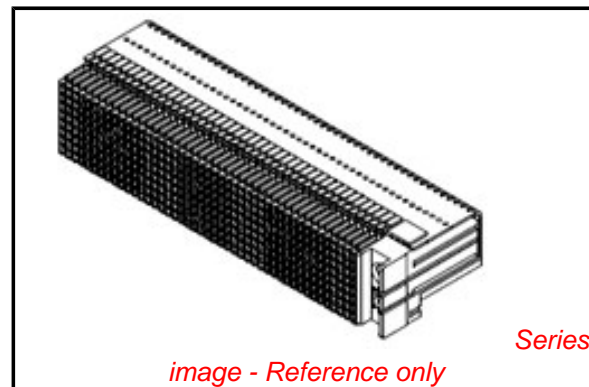


image - Reference only

EU RoHS

RoHS Compliant by Exemption
REACH SVHC Not Reviewed
Halogen-Free Status Not Reviewed

China RoHS



Need more information on product environmental compliance?

Email productcompliance@molex.com
 For a multiple part number RoHS Certificate of Compliance, [click here](#)

Please visit the [Contact Us](#) section for any non-product compliance questions.

Search Parts in this Series

[74040Series](#)

Application Tooling | FAQ

Tooling specifications and manuals are found by selecting the products below. Crimp Height Specifications are then contained in the Application Tooling Specification document.

Global

Description	Product #
VHDM® and VHDM-HSD™ Card Stiffener Removal Tool	0622016200
GbX VHDM® and VHDM-HSD™ Insertion Module	0622020214

Data Rate	3.125 Gbps
Shielded	Yes
Voltage - Maximum	120V AC (RMS)/DC

Material Info

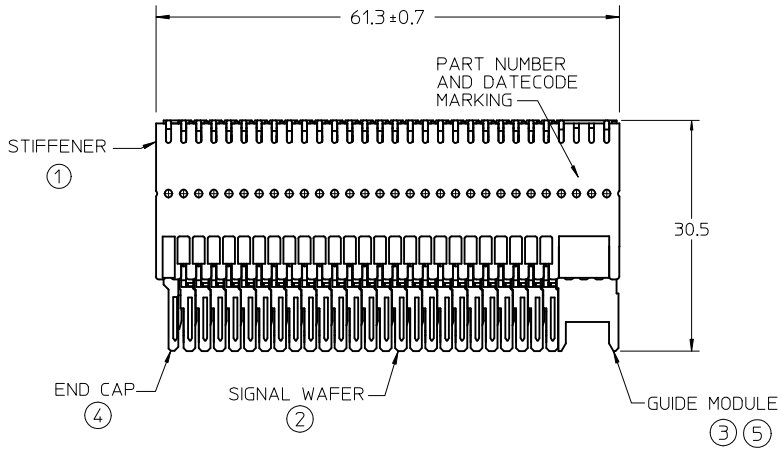
Reference - Drawing Numbers

Packaging Specification	PK-70873-5041
Product Specification	PS-74031-999
Sales Drawing	SD-74040-1343

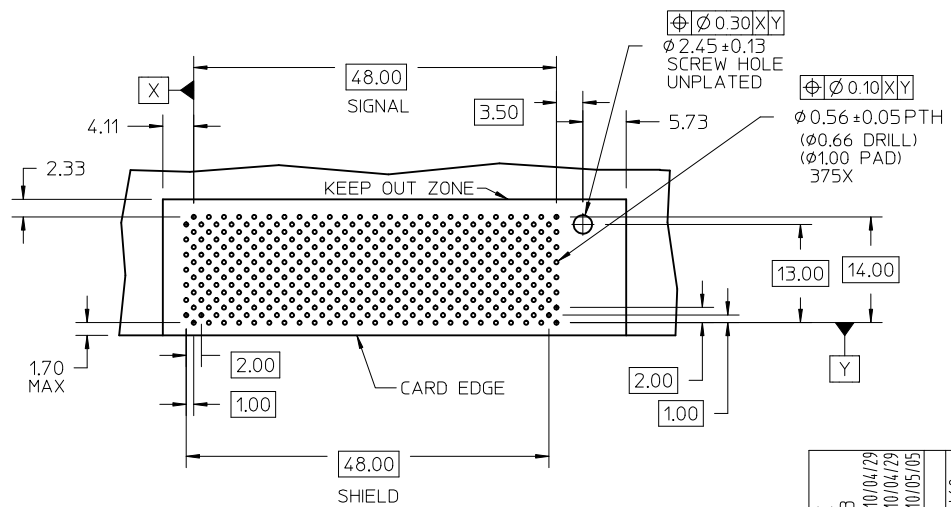
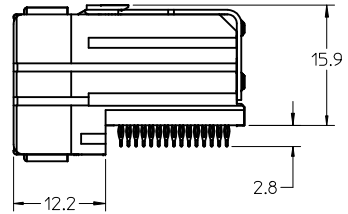
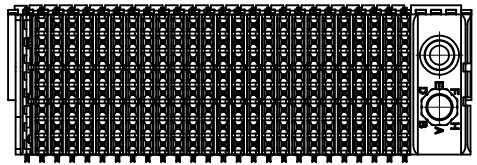
VHDM is a trademark of Amphenol Corporation

This document was generated on 06/07/2010

PLEASE CHECK WWW.MOLEX.COM FOR LATEST PART INFORMATION



- NOTES:
1. MATERIALS: HOUSING: LIQUID CRYSTAL POLYMER (LCP), GLASS-FILLED, UL94V-0, BLACK, TERMINALS: COPPER ALLOY
STIFFENER: STAINLESS STEEL
 2. FINISH: SELECTIVE GOLD (Au) IN CONTACT AREA, 0.76 micrometers MINIMUM THICKNESS, SELECTIVE TIN/LEAD (Sn/Pb) IN TAIL AREA, NICKEL (Ni) UNDERPLATE OVERALL.
 3. REFER TO MOLEX PRODUCT SPECIFICATION PS-74031-999 FOR PERFORMANCE SPECIFICATIONS.
 4. PARTS TO BE PACKAGED PER PK-70873-5041.
 5. THIS PART CONFORMS TO CLASS 'B' REQUIREMENTS OF MOLEX COSMETIC SPECIFICATION PS-45499-002.
 6. REFER TO MOLEX DOCUMENT SD-74041-002 FOR ADDITIONAL DETAIL ON THE SIGNAL WAFER.
 7. REFER TO MOLEX DOCUMENT SD-74037-006 FOR ADDITIONAL DETAIL ON THE GUIDANCE MODULE.
 8. SCREWS PACKED IN BAG INSIDE TUBE.
 9. LABEL MARKED WITH MOLEX PART NUMBER AND DATE CODE. LABEL MAY BE REPLACED BY LASER MARKING ON THE STIFFENER.



ITEM	PART NUMBER	DESCRIPTION	QTY
1	74046-0061	STIFFENER	1
2	74041-0001	SIGNAL WAFER	25
3	74037-0008	POLARIZING/GUIDE MODULE	1
4	74038-1001	END CAP	1
5	73726-0000	GUIDE MODULE MTG SCREW	1

DAUGHTERCARD BOARD LAYOUT
CONNECTOR SIDE

INITIAL RELEASE EC NO: UCP2010-2753 DRWNS:SDANNELLEY 2010/04/29 CHKD:JMELTON 2010/04/29 APPR:SMILLER 2010/05/05	QUALITY SYMBOLS	GENERAL TOLERANCES (UNLESS SPECIFIED)	DIMENSION STYLE MM ONLY	SCALE 2:1	DESIGN UNITS METRIC	THIRD ANGLE PROJECTION
	▽=0	4 PLACES ± --- ± ---	DRAWN BY DATE SDANNELLEY 2010/04/29	TITLE VHDM 8 ROW DAUGHTERCARD END CAP/25 WAFERS/GUIDE SALES DRAWING		
	▽=0	3 PLACES ± --- ± ---	CHECKED BY DATE JMELTON 2010/04/29	MOLEX MOLEX INCORPORATED		
	▽=0	2 PLACES ± 0.25 ± ---	APPROVED BY DATE SMILLER 2010/05/05	MATERIAL NO. 74040-1343	DOCUMENT NO. SD-74040-1343	SHEET NO. 1 OF 1
		1 PLACE ± 0.38 ± ---	DRAFT WHERE APPLICABLE MUST REMAIN WITHIN DIMENSIONS			
		ANGULAR ± 1/2°	THIS DRAWING CONTAINS INFORMATION THAT IS PROPRIETARY TO MOLEX INCORPORATED AND SHOULD NOT BE USED WITHOUT WRITTEN PERMISSION			