

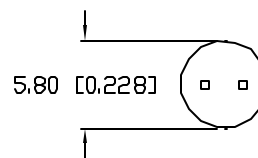
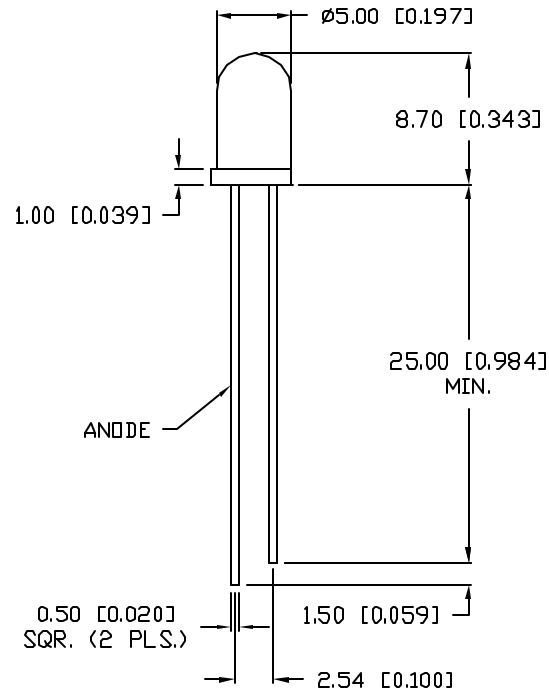
UNCONTROLLED DOCUMENT

PART NUMBER
OED-SP5093L30

REV.

REV. | E.C.N. NUMBER AND REVISION COMMENTS

DATE



NOTE:

1. ACTIVE AREA: 0.43 x 0.43mm.

ANODE $\circ \rightarrow \nabla$ CATHODE

ELECTRO-OPTICAL CHARACTERISTICS $T_A = 25^\circ\text{C}$

PARAMETER	SYMBOL	TEST CONDITION	MIN	TYP	MAX	UNIT
OPEN CIRCUIT VOLTAGE	V_{oc}	$E_e = 0.5\text{mw}/\text{cm}^2$		0.39		V
SHORT CIRCUIT CURRENT	I_{sc}	$E_e = 0.5\text{mw}/\text{cm}^2$		50		μA
DARK CURRENT	I_d	$V_r = 10\text{V}$ $E_e = 0.5\text{mw}/\text{cm}^2$			10	nA
TERMINAL CAPACITANCE	C_t	$V_r = 3\text{V}, F = 1\text{MHz}$		5		pF
RESPONSE TIME	T_r/T_f	$V_r = 10\text{V}, R_l = 1000 \Omega$		6/6		nS
SPECTRAL SENSITIVITY	λ			700~1000		nm
PEAK WAVELENGTH	λ_p			940		nm
HALF ANGLE	$\Delta\theta$			± 15		DEG
LENS COLOR:	BLACK					

LIMITS OF SAFE OPERATION AT 25°C

PARAMETER	MAX	UNITS
REVERSE VOLTAGE	20	V
POWER DISSIPATION	20	mW
OPERATING TEMP.	-20 TO +70	$^\circ\text{C}$
STORAGE TEMP.	-30 TO +80	$^\circ\text{C}$
SOLDERING TEMP.	+230	$^\circ\text{C}$
2.0mm FROM BODY		3 SEC. MAX

UNCONTROLLED DOCUMENT

*UNLESS OTHERWISE SPECIFIED TOLERANCE IS $\pm 0.25\text{mm}$ ($\pm 0.010''$)

REV.

PART NUMBER
OED-SP5093L30

CONFIDENTIAL INFORMATION
THE INFORMATION CONTAINED IN THIS DOCUMENT IS THE PROPERTY OF LUMEX INC. EXCEPT AS SPECIFICALLY AUTHORIZED IN WRITING BY LUMEX INC., THE HOLDER OF THIS DOCUMENT SHALL KEEP ALL INFORMATION CONTAINED HEREIN CONFIDENTIAL AND SHALL PROTECT SAME IN WHOLE OR IN PART FROM DISCLOSURE AND DISSEMINATION TO ALL THIRD PARTIES.

LUMEX
INCORPORATED

290 E. HELLEN ROAD
PALATINE, ILLINOIS 60067
PHONE: 1-847-359-2790
WEB: [HTTP://WWW.LUMEX.COM](http://www.lumex.com)

T-5mm PHOTODIODE WITH DAYLIGHT FILTER.

RELIABILITY NOTE
OUR MANY YEARS OF EXPERIENCE DATA ACCUMULATION INDICATE THAT SOLDER HEAT IS A MAJOR CAUSE OF EARLY AND FUTURE FAILURE. PLEASE PAY ATTENTION TO YOUR SOLDERING PROCESS.

DRAWN BY: | CHECKED BY: | APPROVED BY: | DATE: 8-9-99

PAGE: 1 OF 1

TM/BC

SCALE: N/A