

# TANK-600-D2550 ■ Fanless Embedded System

# TANK-600-N2600 ■ Intel® Celerarview Dual Core Atom™ CPU



## Features

- ◆ Intel® Dual Core D2550 1.86 GHz processor
- ◆ Intel® Dual Core N2600 1.6 GHz processor
- ◆ 8 COM model: 6 x RS-232, 2 x RS-232/422/485
- ◆ 6 x USB 2.0
- ◆ Dual PCIe GbE LAN for high-speed network applications



## Specifications

| Model Name     |                         | TANK-600-D2550  | TANK-600-N2600  |
|----------------|-------------------------|---|---|
| Chassis        | Color                   | Black C + Silver  |   |
|                | Dimensions (WxDxH) (mm) | 193.4 x 200 x 57  |   |
|                | System Fan              | Fanless   |   |
|                | Chassis Construction    | Aluminum alloys   |   |
| Motherboard    | Processor CPU           | Intel® Atom™ D2550 1.86 GHz   | Intel® Atom™ N2600 1.6 GHz                            |
|                | Chipset                 | Intel® NM10   |   |
|                | System Memory           | On-board DDR3 4 GB  | On-board DDR3 2 GB                                    |
| Storage        | Hard Drive              | 1 x 2.5" SATA 3Gb/s HDD/SSD bay   |   |
|                | mSATA                   | 1 x mSATA (SATA 3Gb/s signal)   |   |
| I/O Interfaces | USB 2.0                 | 6   |   |
|                | Ethernet                | 2 x RJ-45<br>PCIe GbE by Realtek 8111E  |   |
|                | RS-232                  | 6 COM: 6 x DB-9   |   |
|                | RS-422/485              | 2 x RS-232/422/485 by DB-9  |   |
|                | Display                 | 1 x VGA   |   |
|                | Resolution              | VGA: Up to 2048 x 1536@75Hz   |   |
|                | Audio                   | 1 x Line-out, 1 x Mic-in  |   |
|                | Expansions              | PCIe Mini   | 1 x Full Size (Co-lay mSATA)<br>1 x Half size         |
| Power          | Power Input             | DC Jack: 9 V~36 V DC  |   |
|                | Power Consumption       | 12 V@2.2 A<br>(Intel® Atom™ D2550 with 4 GB DDR3 memory)                      | 2 V@2 A<br>(Intel® Atom™ N2600 with 2 GB DDR3 memory) |
| Reliability    | Mounting                | VESA 100, DIN-Rail  |   |
|                | Operating Temperature   | -20°C ~70°C with air flow (SSD),<br>5% ~ 95%, non-condensing                  |   |
|                | Operating Shock         | Half-sine wave shock 5G, 11ms, 3 shocks per axis                              |   |
|                | Operating Vibration     | MIL-STD-810F 514.5C-2 (with SSD)  |   |
|                | Weight (Net/Gross)      | 2.2 kg/3 kg   |   |
|                | Safety/EMC              | CE/FCC  |   |
| OS             | Supported OS            | Microsoft® Windows® Embedded Standard 7 E,<br>Microsoft® Windows® XP Embedded |   |

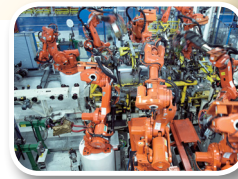
## Fulfill a great variety of applications



AFC



ATM



Automation



Kiosk

## Wide range temperature



The TANK-600 supports -20°C~70°C wide range environment.

The best choice for some ruggedize applications.

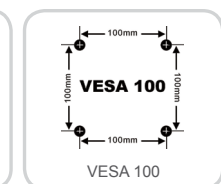
## RS-232



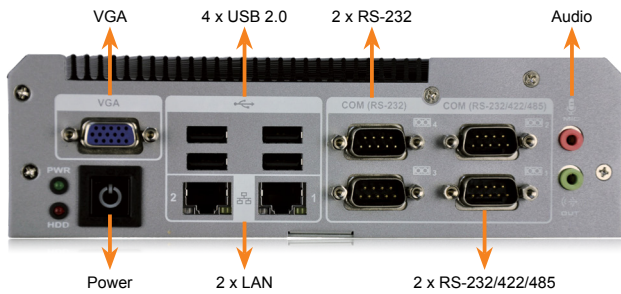
RS-232 is a standard serial port to connect between DTE (Data Terminal Equipment) and DCE (Data Communication Equipment). With the advantage of long distance transmission and simple transmission line, the TANK-600 can fulfill users' demand to connect a large number of devices through the RS-232 serial ports.

## Versatile mounting ways

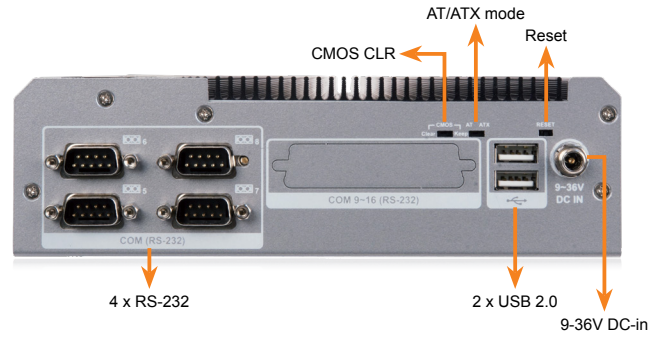
The TANK-600 series can fulfill VESA 100/DIN-rail/Wall mount, providing users different ways to meet their applications.



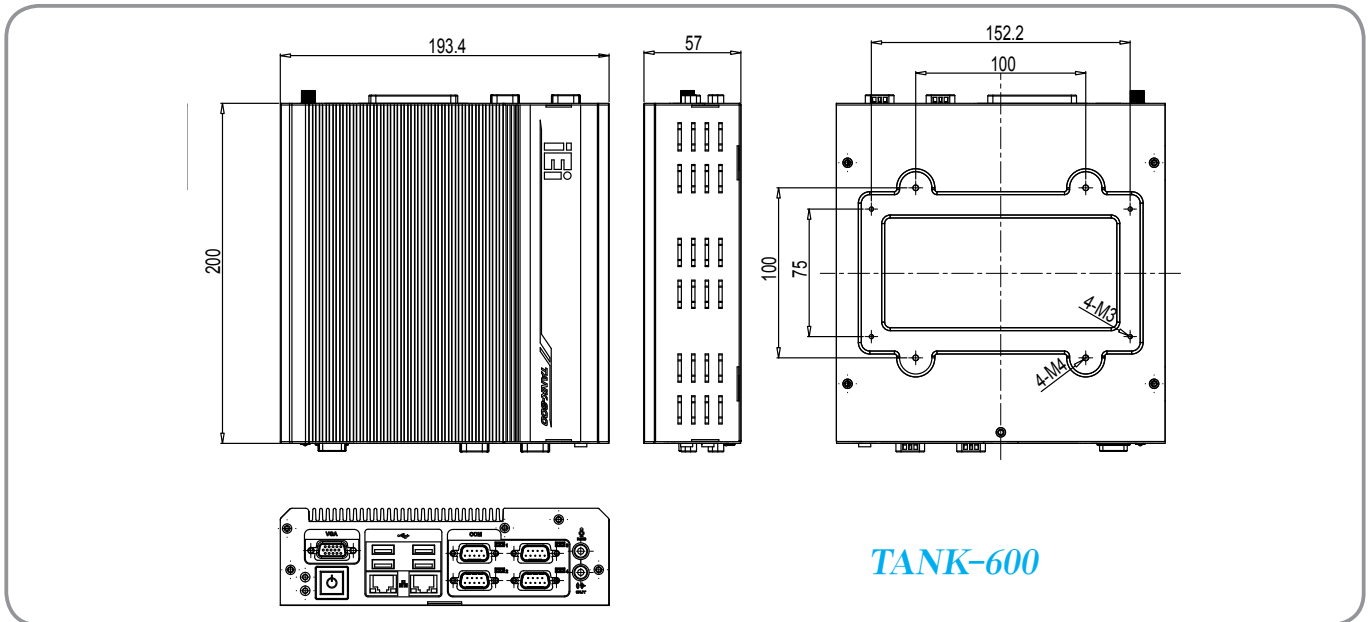
Front View



Rear View



Dimensions (Unit: mm)



TANK-600

Ordering information

| Part No.                    | Description  |
|-----------------------------|--|
| TANK-600-CV-D2550-8C/4G-R11 | Extend temperature Fanless embedded system with Intel® Cedarview D2550 1.86 GHz processor dual core CPU, with 4G DDR3 RAM on-board, 1 x VGA, Dual GbE LAN, 6 x USB 2.0, 2 x RS-232/422/485, 6 x RS-232, RoHS |
| TANK-600-CV-N2600-8C/2G-R11 | Extend temperature Fanless embedded system with Intel® Cedarview N2600 1.6 GHz processor dual core CPU, with 2G DDR3 RAM on-board, 1 x VGA, Dual GbE LAN, 6 x USB2.0, 2 x RS-232/422/485, 6 x RS-232, RoHS   |

Options

| Item                  | Part No. | Qty | Description                                    |
|-----------------------|----------|-----|--|
| DIN-rail mounting kit | DK-84MB  | 1   | DIN mount kit for embedded system, black, RoHS |
| VESA kit              | AFLWK-19 | 1   | VESA 100 mount kit                             |

Packing list

| Item                           | Part No.            | Qty | Description   |
|--------------------------------|---------------------|-----|---|
| Utility CD                     |                     | 1   | Drivers and user manual   |
| One Key recovery CD            | 7B000-000938-RS     | 1   | CD-ROM Disk, V1.3, RECOVERYV13.ISO, FOR ONE KEY RECOVERY, RoHS  |
| Screw set                      |                     | 1   |   |
| Wall mount bracket             | 41019-1106L5-00-RS  | 1   | WALL MOUNT BRACKET, HOLDER, NCT processing formation, TANK-600-CV, PAINTING, PMS 8401C, 41019-1106XX, NCT(N), SECC, VER:00, CCL, RoHS |
| Power adapter (Meet PSE & ErP) | 63040-010065-200-RS | 1   | FSP065-REBN2, 90 V~264 V AC input, 65 W, 19 V DC output, ErP  |
| Power cord                     | 32702-000200-100-RS | 1   | POWER CORD, EUROPEAN CODE(VDE), 2, 1830MM, (A)PLUG(16 A 250 V)SH-005, (B)CONNECTOR(10 A 250 V)SH-006, Self-Man, CCL, RoHS             |