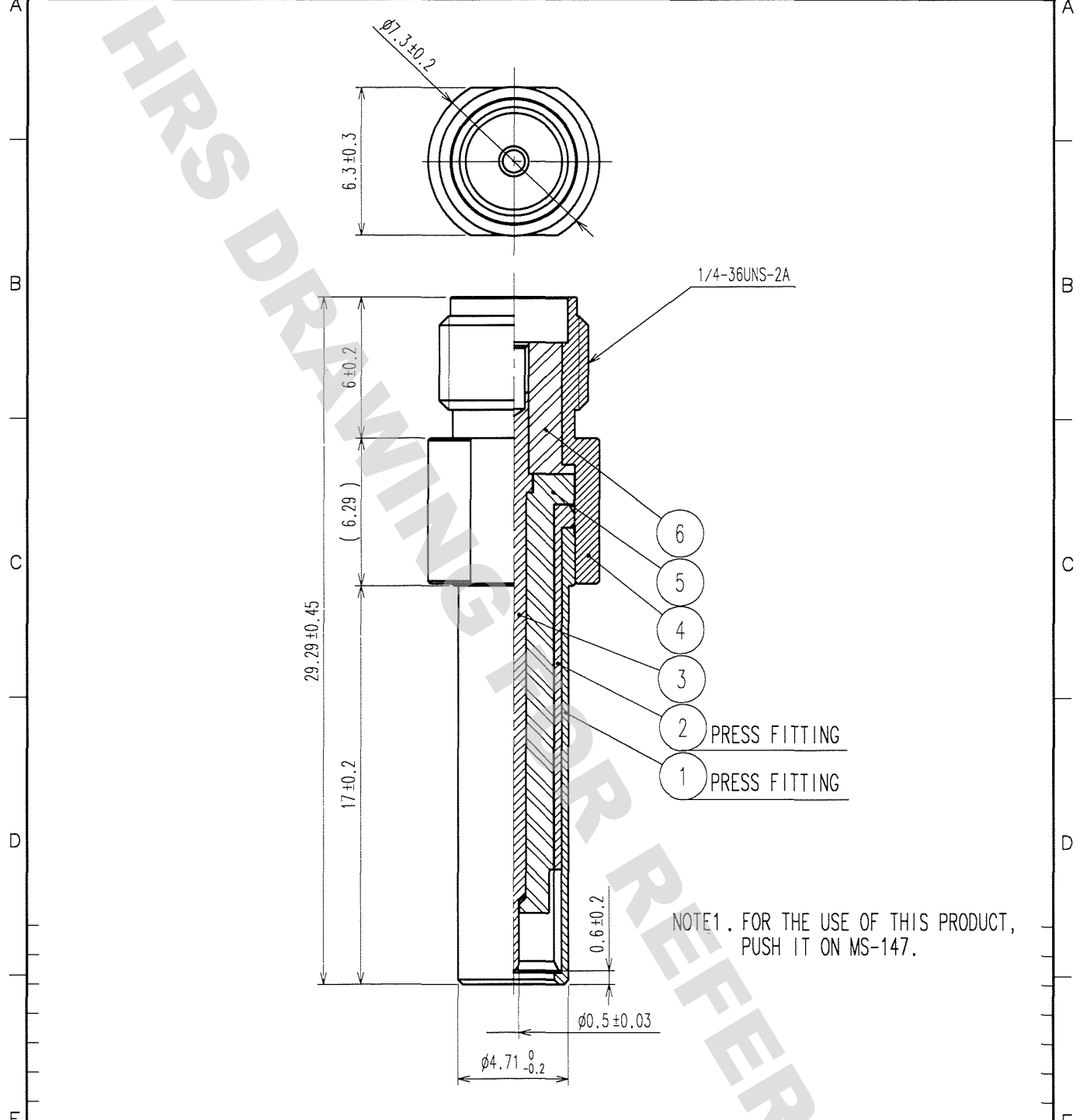


DRAWING FOR REFERENCE: This is subject to change without notice
08/11/2012

1		2			3			4		
COUNT	DESCRIPTION OF REVISIONS	BY	CHKD	DATE	COUNT	DESCRIPTION OF REVISIONS	BY	CHKD	DATE	
△					△					
△					△					
△					△					



NOTE 1. FOR THE USE OF THIS PRODUCT, PUSH IT ON MS-147.

3	BERYLLIUM COPPER	GOLD PLATING	6	PTFE	
2	PHOSFOR BRONZE	NICKEL PLATING	5	PTFE	
1	PHOSFOR BRONZE	NICKEL PLATING	4	STAINLESS STEEL	PASSIVATE
NO.	MATERIAL	FINISH, REMARKS	NO.	MATERIAL	FINISH, REMARKS

CODE NO. (OLD)	DRAWN	DESIGNED	CHECKED	APPROVED	RELEASED
	<i>J. Noda</i> 07.1.17	<i>Y. Matsuo</i> 07.1.17	<i>R. Kano</i> 07.1.17	<i>H. Kawamura</i> 07.1.17	

TO
RFD

SCALE	DRAWING NO.	PART NO.
4 : 1	EDC4-180532	MS-147-HRMJ-3
UNITS		CODE NO.
mm	HRS HIROSE ELECTRIC CO., LTD.	CL358-0218-7

1
1

