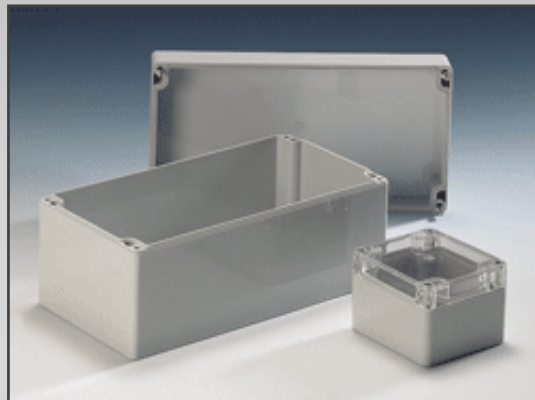


Polycarbonate 03

Polycarbonate 33

ABS 09



For Finishing Services, Product Support, or to Order

Call 1-301-696-9800



UL 50



### Technical data

**Material:**

Polycarbonate

ABS

**Color:**

similar to RAL 7035, light gray

special color on request

**Ingress protection:**

IP 66 to EN 60529

**Surface resistance:**

PC:  $>10^{15}$  Ohm / VDE 0303

ABS:  $4 \times 10^{14}$  Ohm / VDE 0303

**Dielectric strength:**

PC:  $>30$  KV/mm VDE 0303

ABS: 24 KV/mm VDE 0303

**Temperature range:**

PC:  $-40^{\circ}\text{C}$  to  $+100^{\circ}\text{C}$

ABS:  $-40^{\circ}\text{C}$  to  $+80^{\circ}\text{C}$

**Insulation:**

full protective insulation to VDE 0100

**Flammability:**

PC: V2 / UL 94

ABS: HB / UL 94

**Toxicity:**

free of halogen

- Light-weight plastic enclosures for industrial applications
- Polycarbonate enclosure with standard or transparent lid
- ABS enclosure with standard lid
- Optional: EMC coated

### Included in delivery

Plastic enclosure consisting of lid, seal, incl. captive +/- stainless steel screws, base with 2 self-tapping fastening screws for internal mounting

# Polycarbonate / ABS

## Program range

Polycarbonate enclosure	Polycarbonate enclosure with transparent lid	ABS enclosure	Dimensions (mm) W x L x H	External mounting brackets	Mounting plate Pertinax Thickness in mm	Silicone lid seal	Small rubber table feet	PC external hinge approx. 150° <sup>1)</sup>	Sealable lid seal <sup>2)</sup>	EMC version aluminum flashed
03.05 05 04	33.05 05 04	09.05 05 04	50 x 52 x 35		1.5					•
03.05 07 04	33.05 07 04	09.05 07 04	50 x 65 x 35		1.5	•				•
03.08 08 06	33.08 08 06	09.08 08 06	80 x 82 x 55	•	1.5	•	•		•	•
03.08 08 09	33.08 08 09	09.08 08 09	80 x 82 x 85	•	1.5	•	•		•	•
03.08 12 06	33.08 12 06	09.08 12 06	80 x 120 x 55	•	1.5	•	•	•	•	•
03.08 12 09	33.08 12 09	09.08 12 09	80 x 120 x 85	•	1.5	•	•	•	•	•
03.08 16 06	33.08 16 06	09.08 16 06	80 x 160 x 55	•	1.5	•	•	•	•	•
03.08 16 09	33.08 16 09	09.08 16 09	80 x 160 x 85	•	1.5	•	•	•	•	•
03.08 23 09	33.08 23 09	09.08 23 09	80 x 230 x 85	•	1.5	•	•	•	•	•
03.12 12 06	33.12 12 06	09.12 12 06	120 x 122 x 55	•	2	•	•	•	•	•
03.12 12 09	33.12 12 09	09.12 12 09	120 x 122 x 85	•	2	•	•	•	•	•
03.12 12 11	33.12 12 11	09.12 12 11	120 x 122 x 105	•	2	•	•	•		•
03.12 16 09	33.12 16 09	09.12 16 09	120 x 160 x 90	•	2	•	•	•		•
03.12 16 14	33.12 16 14	09.12 16 14	120 x 160 x 140	•	2	•	•	•		•
03.12 20 08	33.12 20 08	09.12 20 08	120 x 200 x 75	•	2	•	•	•	•	•
03.12 20 09	33.12 20 09	09.12 20 09	120 x 200 x 90	•	2	•	•	•		•
03.12 24 10	33.12 24 10	09.12 24 10	120 x 240 x 100	•	2	•	•	•		•
03.15 20 08	33.15 20 08	09.15 20 08	150 x 200 x 75	•	2.5	•	•	•	•	•
03.16 24 09	33.16 24 09	09.16 24 09	160 x 240 x 90	•	2.5 <sup>3)</sup>	•	•	•	•	•
03.16 24 12	33.16 24 12	09.16 24 12	160 x 240 x 120	•	2.5	•	•	•		•
03.16 36 10	-	09.16 36 10	160 x 360 x 100	•	2.5	•	•	•		•
03.20 36 15	33.20 36 15	09.20 36 15	200 x 360 x 150		2.5	•		•		•
03.23 30 09	33.23 30 09	09.23 30 09	230 x 300 x 85	•	2	•	•	•		•
03.23 30 11	33.23 30 11	09.23 30 11	230 x 300 x 110	•	2	•	•	•		•
-	-	09.40 36 15	360 x 400 x 150		2 <sup>3)</sup>	•				•

<sup>1)</sup> Please quote mounting side A-D when ordering. <sup>2)</sup> Stainless steel <sup>3)</sup> Galvanized sheet steel Transparent lid for ABS enclosure not available.

## Other accessories

Small table feet (for sizes up to xx.15 20 08)	12.05 10 00 1
Small table feet (for sizes up to xx.16 24 19)	12.05 10 00 2
Threaded inserts M4 (10 pcs.)	10.03 70 04
Threaded inserts M3 (10 pcs.)	10.03 70 03
Set of external hinges (2 pcs.)	10.02 12 01



# Polycarbonate / ABS

## Terminal mounting

Weidmüller																	Earth conductor connections											
DIN rail TS 15				X	X	X	X																					
DIN rail TS 35								X	X	X	X	X	X	X	X													
Voltage (V)	400	400	400	250	275	250	400	500	800	800	800	800	1000	1000	1000	1000												
Current (A)	32	32	32	17	15	24	32	24	24	32	41	57	76	125	192	232												
Nom. cross section (mm <sup>2</sup> )	4	4	4	1.5	1.5	2.5	4	2.5	2.5	4	6	10	16	35	70	95												
Terminal width (mm)	38	52	92	5	3.5	5	6	5	5	6	8	10	12	16	20.5	27												
Terminal type																												
Type	BK 4 (4-polig)	BK 6 (6-polig)	BK 12 (12-polig)	AKZ 1.5	WDU 1.5 / R 3.5	AKZ 2.5	AKZ 4	WDU 2.5 N	WDU 2.5	WDU 4	WDU 6	WDU 10	WDU 16	WDU 35	WDU 70 N	WDU 70 / 95	WPE 2.5 green/yellow	WPE 4 green/yellow	WPE 6 green/yellow	WPE 10 green/yellow	WPE 16 green/yellow	WPE 35 green/yellow	WPE 70 / 95 green/yellow	Earthing bar 2.5 mm <sup>2</sup> with cable lug max. 10 mm <sup>2</sup>	Earthing screw M4 with cable lug max. 6 mm <sup>2</sup>	M6 with cable lug max. 35 mm <sup>2</sup>		
03.05 05 04	1																											
03.05 07 04	1																											1
03.08 08 06	1	1		9	13	9	7	9	9	7	5	4	3	2	2	1											2	
03.08 08 09	1	1		9	13	9	7	9	9	7	5	4	3	2	2	1											2	
03.08 12 06				17	25	17	14	17	17	14	11	8	7	5	4	3											2	
03.08 12 09				17	25	17	14	17	17	14	11	8	7	5	4	3											2	
03.08 16 06				25	36	25	21	25	25	21	16	12	10	8	6	4											2	
03.08 16 09				25	36	25	21	25	25	21	16	12	10	8	6	4											2	
03.08 23 09				39	56	39	32	39	39	32	24	19	16	12	9	7											2	
03.12 12 06				16	24	16	14	16	16	14	10	8	7	5	4	3											2	
03.12 12 09				16	24	16	14	16	16	14	10	8	7	5	4	3											2	
03.12 12 11				16	24	16	14	16	16	14	10	8	7	5	4	3											2	
03.12 16 09				24	35	24	20	24	24	20	15	12	10	7	6	4											2	
03.12 16 14				24	35	24	20	24	24	20	15	12	10	7	6	4												
03.12 20 08				32	46	32	27	32	32	27	20	16	13	10	8	6											5	
03.12 20 09				32	46	32	27	32	32	27	20	16	13	10	8	6											13	
03.12 24 10				40	58	40	34	40	40	34	25	20	17	12	10	7											8	
03.15 20 08				28	41	28	24	28	28	24	18	14	12	9	7	5											16	
03.16 24 09				40	58	40	34	40	40	34	25	20	17	12	9	7											38	
03.16 24 12				40	58	40	34	40	40	34	25	20	17	12	9	7											16	
03.16 36 10				63	91	63	53	63	63	53	39	31	26	19	15	11											16	
03.20 36 15				63	91	63	53	63	63	53	39	31	26	19	15	11											16	
03.23 30 09				52	95	52	44	52	52	44	33	26	22	16	12	9											26	
03.23 30 11				52	95	52	44	52	52	44	33	26	22	16	12	9											26	
09.40 36 15				63*	91*	63*	53*	63*	63*	53*	39*	31*	26*	19*	15*	11*											23	
09.40 36 15				63**	91**	63**	53**	63**	63**	53**	39**	31**	26**	19**	15**	11**											26	

\* 2 DIN rails possible = double number of terminals

\*\* 3 DIN rails possible = triple number of terminals



Type: . . .05 05 04

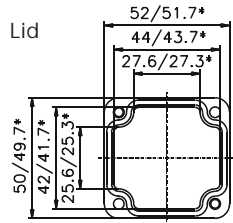
External dimensions: 50 x 52 x 35 mm

Weight: 40 g

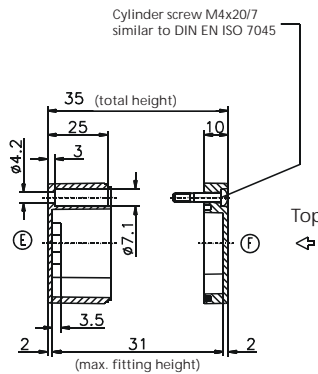
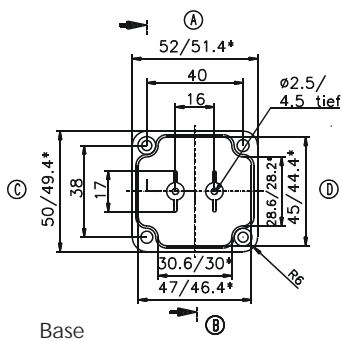
DIN rail length in mm	max. fitting length in mm	Mounting plate (thickness in mm)	External mounting brackets	External hinge* set	EMC version	Self-adhesive rubber feet set	Silicone lid seal	Sealable lid screw in steel
		1.5			•			

Maximum number of cable glands to *DIN 50262\**

M	Corner dim.	Side		PG	Corner dim.	Side	
		A/B	C/D			A/B	C/D
12	17.25	2	1	7	17.25	2	1
16	25.30			9	21.85	1	1
20	27.60			11	25.30		
25	37.95			13.5	27.60		
32	48.30			16	31.05		
40	60.95			21	37.95		
50	69.00			29	48.30		
63	74.75			36	60.95		
				42	69.00		
				48	74.75		



\* = Conical form tapering downwards  
Free dimensions-tolerance to DIN 16901 - 130



Type: . . .05 07 04

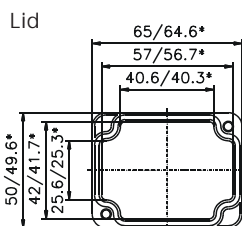
External dimensions: 50 x 65 x 35 mm

Weight: 50 g

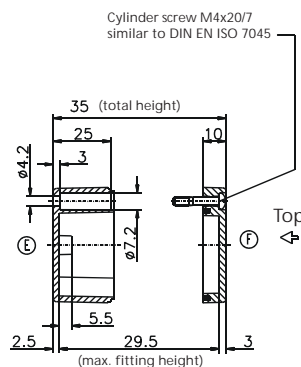
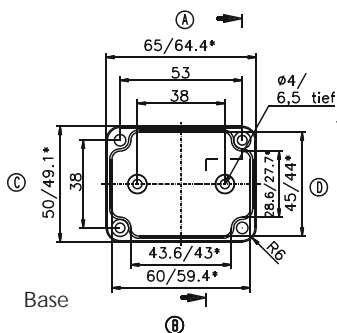
DIN rail length in mm	max. fitting length in mm	Mounting plate (thickness in mm)	External mounting brackets	External hinge* set	EMC version	Self-adhesive rubber feet set	Silicone lid seal	Sealable lid screw in steel
TS 15		1.5			•			•
45								

Maximum number of cable glands to *DIN 50262\**

M	Corner dim.	Side		PG	Corner dim.	Side	
		A/B	C/D			A/B	C/D
12	17.25	2	2	7	17.25	2	2
16	25.30			9	21.85	2	1
20	27.60			11	25.30		
25	37.95			13.5	27.60		
32	48.30			16	31.05		
40	60.95			21	37.95		
50	69.00			29	48.30		
63	74.75			36	60.95		
				42	69.00		
				48	74.75		



\* = Conical form tapering downwards  
Free dimensions-tolerance to DIN 16901 - 130



Type: . . .08 08 06

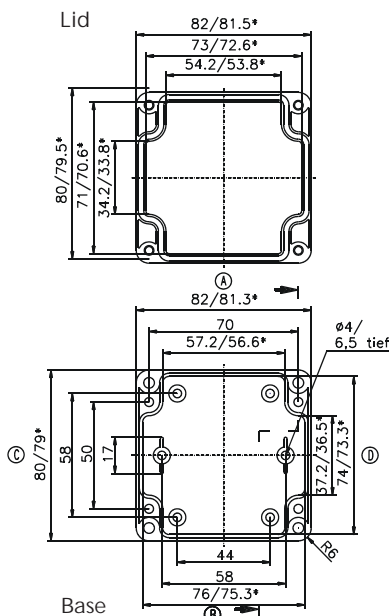
External dimensions: 80 x 82 x 55 mm

Weight: 140 g

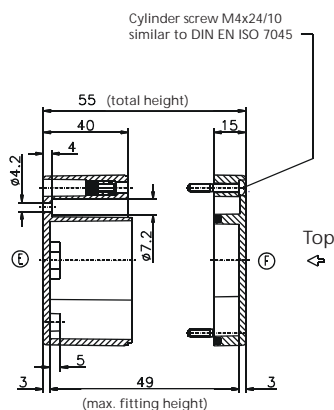
DIN rail length in mm	max. fitting length in mm	Mounting plate (thickness in mm)	External mounting brackets	External hinge* set	EMC version	Self-adhesive rubber feet set	Silicone lid seal	Sealable lid screw in steel
TS 15								
68	56	1.5	•		•	•	•	•

Maximum number of cable glands to *DIN 50262\**

M	Corner dim.	Side		PG	Corner dim.	Side	
		A/B	C/D			A/B	C/D
12	17.25	6	4	7	17.25	6	4
16	25.30	2	2	9	21.85	3	2
20	27.60	2	1	11	25.30	2	1
25	37.95	1	1	13.5	27.60	2	1
32	48.30			16	31.05	2	1
40	60.95			21	37.95	1	1
50	69.00			29	48.30		
63	74.75			36	60.95		
				42	69.00		
				48	74.75		



\* = Conical form tapering downwards  
Free dimensions-tolerance to DIN 16901 - 130



Type: . . .08 08 09

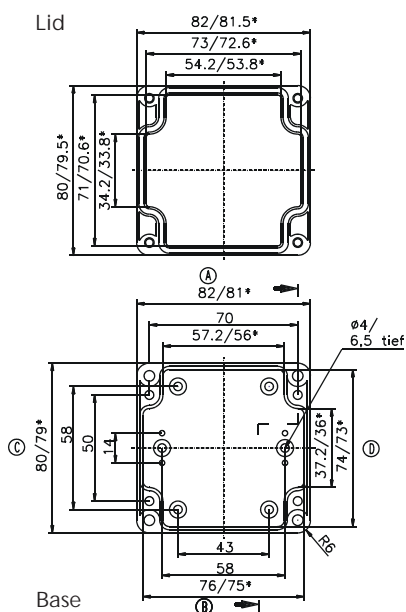
External dimensions: 80 x 82 x 85 mm

Weight: 175 g

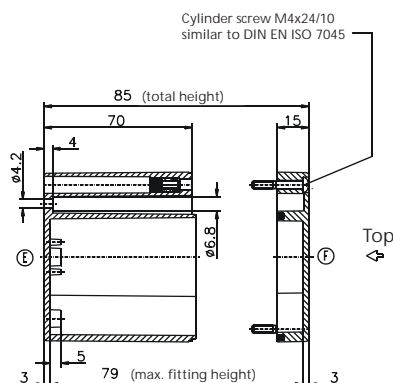
DIN rail length in mm	max. fitting length in mm	Mounting plate (thickness in mm)	External mounting brackets	External hinge* set	EMC version	Self-adhesive rubber feet set	Silicone lid seal	Sealable lid screw in steel
TS 15								
68	56	1.5	•		•	•	•	•

Maximum number of cable glands to *DIN 50262\**

M	Corner dim.	Side		PG	Corner dim.	Side	
		A/B	C/D			A/B	C/D
12	17.25	10	6	7	17.25	10	6
16	25.30	5	2	9	21.85	6	3
20	27.60	4	2	11	25.30	5	2
25	37.95	2	1	13.5	27.60	4	2
32	48.30	1	1	16	31.05	4	2
40	60.95	1		21	37.95	1	1
50	69.00			29	48.30	1	
63	74.75			36	60.95	1	
				42	69.00		
				48	74.75		



\* = Conical form tapering downwards  
Free dimensions-tolerance to DIN 16901 - 130





Type: . . .08 12 06

External dimensions: 80 x 120 x 55 mm

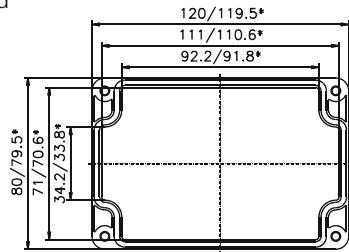
Weight: 180 g

DIN rail length in mm	max. fitting length in mm	Mounting plate (thickness in mm)	External mounting brackets	External hinge* set	EMC version	Self-adhesive rubber feet set	Silicone lid seal	Sealable lid screw in steel
TS 15								
110	94	1.5	•	•	•	•	•	•

Maximum number of cable glands to *DIN 50262\**

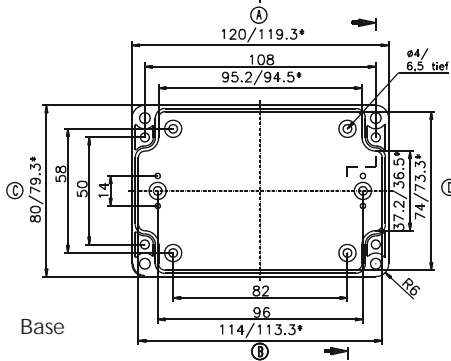
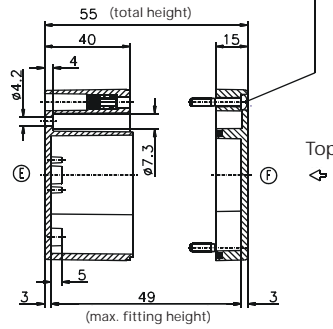
M	Corner dim.	Side		PG	Corner dim.	Side	
		A/B	C/D			A/B	C/D
12	17.25	10	3	7	17.25	10	3
16	25.30	4	1	9	21.85	6	2
20	27.60	3	1	11	25.30	4	1
25	37.95	2		13.5	27.60	3	1
32	48.30			16	31.05	3	1
40	60.95			21	37.95	2	
50	69.00			29	48.30		
63	74.75			36	60.95		
				42	69.00		
				48	74.75		

Lid



\* = Conical form tapering downwards  
Free dimensions-tolerance to DIN 16901 - 130

Cylinder screw M4x24/10 similar to DIN EN ISO 7045



Base

Type: . . .08 12 09

External dimensions: 80 x 120 x 85 mm

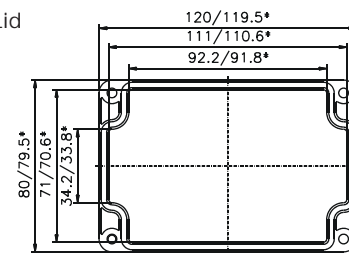
Weight: 225 g

DIN rail length in mm	max. fitting length in mm	Mounting plate (thickness in mm)	External mounting brackets	External hinge* set	EMC version	Self-adhesive rubber feet set	Silicone lid seal	Sealable lid screw in steel
TS 15								
110	94	1.5	•	•	•	•	•	•

Maximum number of cable glands to *DIN 50262\**

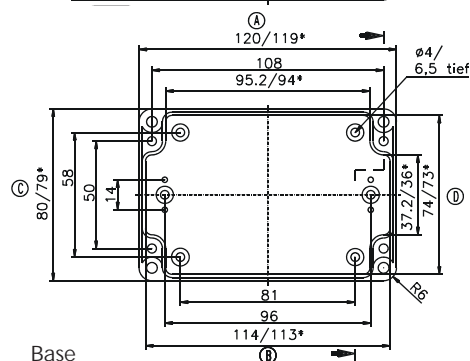
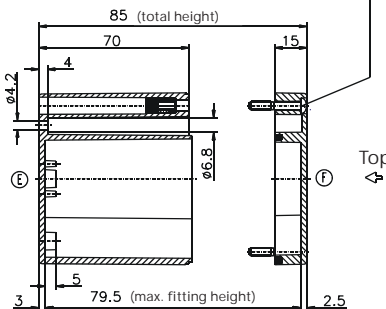
M	Corner dim.	Side		PG	Corner dim.	Side	
		A/B	C/D			A/B	C/D
12	17.25	16	6	7	17.25	16	6
16	25.30	8	2	9	21.85	11	3
20	27.60	6	2	11	25.30	8	2
25	37.95	3	1	13.5	27.60	6	2
32	48.30	2	1	16	31.05	6	2
40	60.95	1		21	37.95	3	1
50	69.00			29	48.30	2	
63	74.75			36	60.95	1	
				42	69.00		
				48	74.75		

Lid



\* = Conical form tapering downwards  
Free dimensions-tolerance to DIN 16901 - 130

Cylinder screw M4x24/10 similar to DIN EN ISO 7045



Base

Type: . . .08 16 06

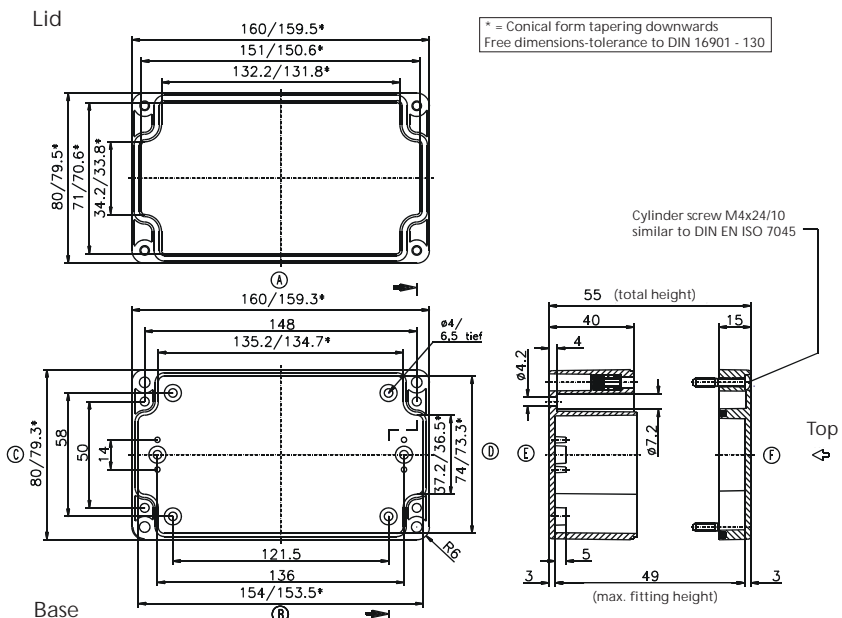
External dimensions: 80 x 160 x 55 mm

Weight: 235 g

DIN rail length in mm	max fitting length in mm	Mounting plate (thickness in mm)	External mounting brackets	External hinge* set	EMC version	Self-adhesive rubber feet set	Silicone lid seal	Sealable lid screw in steel	
TS 15									
150	134	1.5	•	•	•	•	•	•	

Maximum number of cable glands to *DIN 50262\**

M	Corner dim.	Side		PG	Corner dim.	Side	
		A/B	C/D			A/B	C/D
12	17.25	16	4	7	17.25	14	4
16	25.30	6	2	9	21.85	8	2
20	27.60	5	1	11	25.30	6	1
25	37.95	3	1	13.5	27.60	5	1
32	48.30			16	31.05	4	1
40	60.95			21	37.95	3	
50	69.00			29	48.30		
63	74.75			36	60.95		
				42	69.00		
				48	74.75		



Type: . . .08 16 09

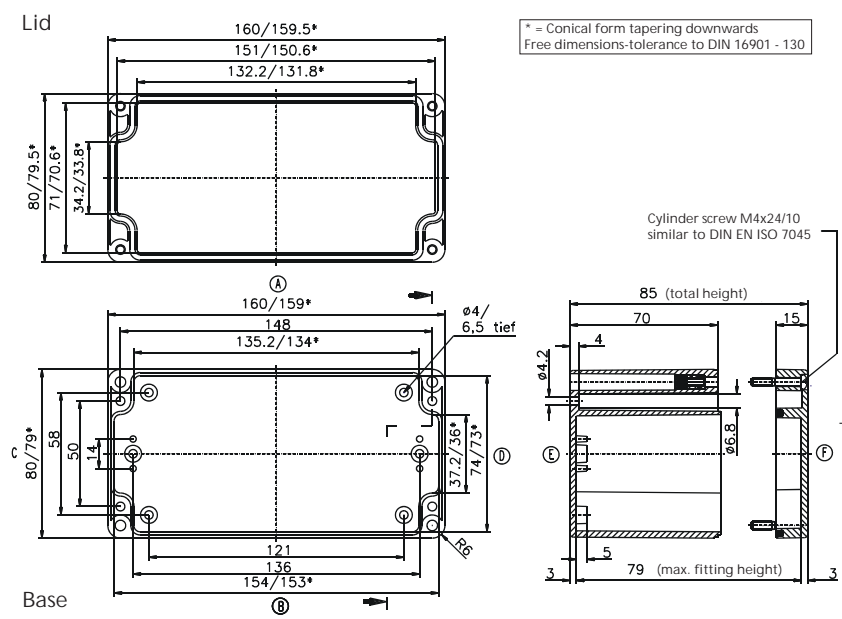
External dimensions: 80 x 160 x 85 mm

Weight: 295 g

DIN rail length in mm	max fitting length in mm	Mounting plate (thickness in mm)	External mounting brackets	External hinge* set	EMC version	Self-adhesive rubber feet set	Silicone lid seal	Sealable lid screw in steel	
TS 15									
150	134	1.5	•	•	•	•	•	•	

Maximum number of cable glands to *DIN 50262\**

M	Corner dim.	Side		PG	Corner dim.	Side	
		A/B	C/D			A/B	C/D
12	17.25	28	6	7	17.25	28	6
16	25.30	14	3	9	21.85	18	4
20	27.60	9	2	11	25.30	12	2
25	37.95	5	1	13.5	27.60	9	2
32	48.30	3	1	16	31.05	8	2
40	60.95	2		21	37.95	5	1
50	69.00	2		29	48.30	3	
63	74.75			36	60.95	2	
				42	69.00	2	
				48	74.75		



Type: **. . .08 23 09**

External dimensions: **80 x 230 x 85 mm**

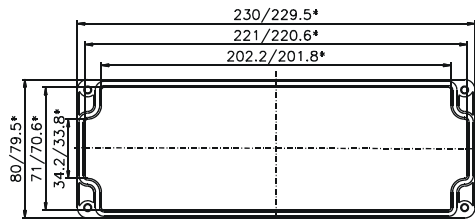
Weight: **338 g**

DIN rail length in mm	max. fitting length in mm	Mounting plate (thickness in mm)	External mounting brackets	External hinge* set	EMC version	Self-adhesive rubber feet set	Silicone lid seal	Sealable lid screw in steel
TS 15	204	1.5	•	•	•	•	•	•
218	204	1.5	•	•	•	•	•	•

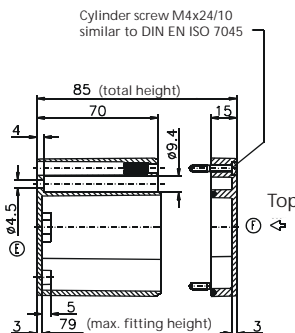
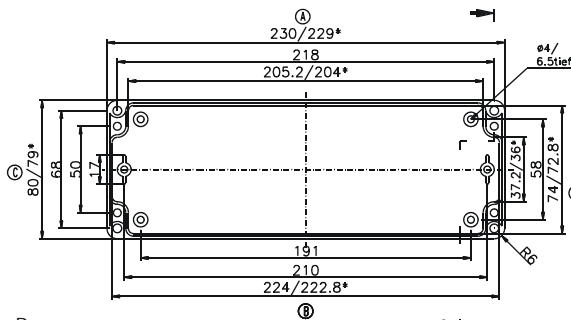
Maximum number of cable glands to **DIN 50262\***

M	Corner dim.	Side		PG	Corner dim.	Side	
		A	C			B	D
12	17.25	40	6	7	17.25	40	6
16	25.30	18	3	9	21.85	27	3
20	27.60	14	2	11	25.30	17	2
25	37.95	7	1	13.5	27.60	14	2
32	48.30	4	1	16	31.05	12	2
40	60.95	3		21	37.95	7	1
50	69.00			29	48.30	4	
63	74.75			36	60.95	3	
				42	69.00		
				48	74.75		

Lid



\* = Conical form tapering downwards  
Free dimensions-tolerance to DIN 16901 - 130



Base

Type: **. . .12 12 06**

External dimensions: **120 x 122 x 55 mm**

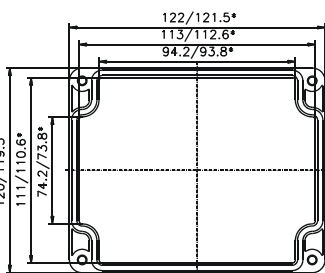
Weight: **240 g**

DIN rail length in mm	max. fitting length in mm	Mounting plate (thickness in mm)	External mounting brackets	External hinge* set	EMC version	Self-adhesive rubber feet set	Silicone lid seal	Sealable lid screw in steel
TS 35	96	2	•	•	•	•	•	•
110	96	2	•	•	•	•	•	•

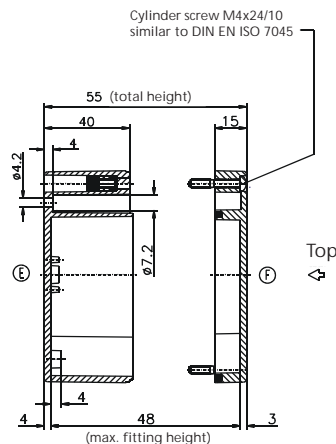
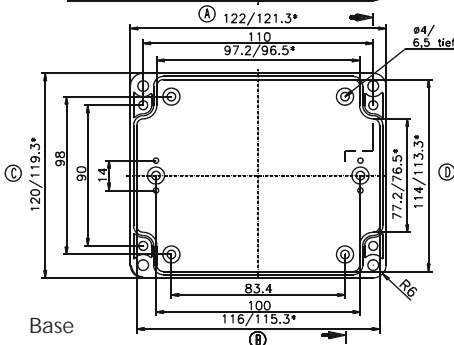
Maximum number of cable glands to **DIN 50262\***

M	Corner dim.	Side		PG	Corner dim.	Side	
		A	C			B	D
12	17.25	11	8	7	17.25	11	8
16	25.30	4	3	9	21.85	6	4
20	27.60	4	3	11	25.30	4	3
25	37.95	2	2	13.5	27.60	4	3
32	48.30			16	31.05	3	2
40	60.95			21	37.95	2	2
50	69.00			29	48.30		
63	74.75			36	60.95		
				42	69.00		
				48	74.75		

Lid



\* = Conical form tapering downwards  
Free dimensions-tolerance to DIN 16901 - 130



Base

Type: . . .12 12 09

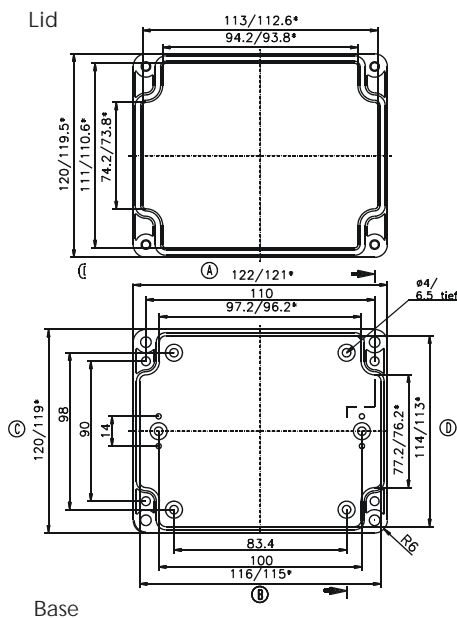
External dimensions: 120 x 122 x 85 mm

Weight: 300 g

DIN rail length in mm	max. fitting length in mm	Mounting plate (thickness in mm)	External mounting brackets	External hinge* set	EMC version	Self-adhesive rubber feet set	Silicone lid seal	Sealable lid screw in steel
TS 35								
110	96	2	•	•	•	•	•	•

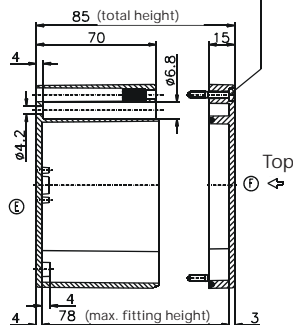
Maximum number of cable glands to *DIN 50262\**

M	Corner dim.	Side		PG	Corner dim.	Side	
		A/B	C/D			A/B	C/D
12	17.25	20	14	7	17.25	20	14
16	25.30	9	6	9	21.85	12	9
20	27.60	6	5	11	25.30	9	6
25	37.95	4	2	13.5	27.60	6	5
32	48.30	2	1	16	31.05	6	4
40	60.95	1	1	21	37.95	3	2
50	69.00	1		29	48.30	2	1
63	74.75			36	60.95	1	1
				42	69.00		
				48	74.75		



\* = Conical form tapering downwards  
Free dimensions-tolerance to DIN 16901 - 130

Cylinder screw M4x24/10 similar to DIN EN ISO 7045



Type: . . .12 12 11

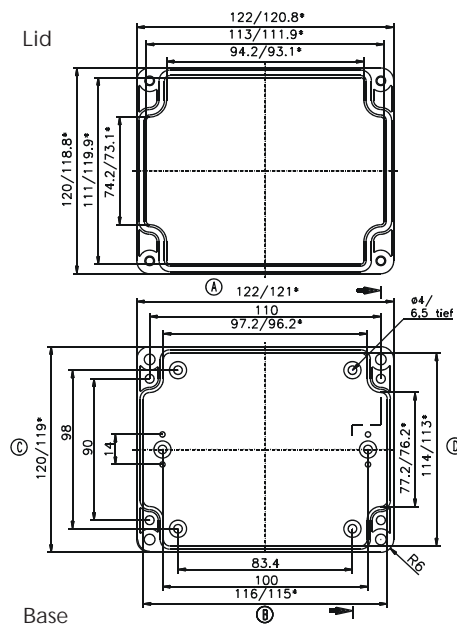
External dimensions: 120 x 122 x 105 mm

Weight: 350 g

DIN rail length in mm	max. fitting length in mm	Mounting plate (thickness in mm)	External mounting brackets	External hinge* set	EMC version	Self-adhesive rubber feet set	Silicone lid seal	Sealable lid screw in steel
TS 35								
110	96	2	•	•	•	•	•	•

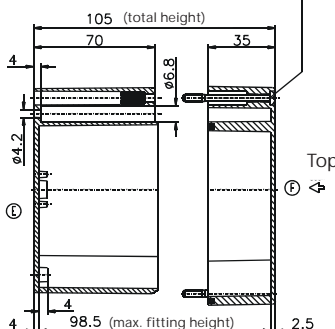
Maximum number of cable glands to *DIN 50262\**

M	Corner dim.	Side		PG	Corner dim.	Side	
		A/B	C/D			A/B	C/D
12	17.25	20	14	7	17.25	20	14
16	25.30	9	6	9	21.85	12	9
20	27.60	6	5	11	25.30	9	6
25	37.95	4	2	13.5	27.60	6	5
32	48.30	2	1	16	31.05	6	4
40	60.95	1	1	21	37.95	3	2
50	69.00	1		29	48.30	2	1
63	74.75			36	60.95	1	1
				42	69.00		
				48	74.75		



\* = Conical form tapering downwards  
Free dimensions-tolerance to DIN 16901 - 130

Cylinder screw M4x45/10 similar to DIN EN ISO 7045



Type: . . .12 16 09

External dimensions: 120 x 160 x 90 mm

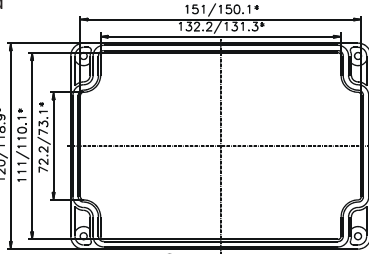
Weight: 400 g

DIN rail length in mm	max. fitting length in mm	Mounting plate (thickness in mm)	External mounting brackets	External hinge* set	EMC version	Self-adhesive rubber feet set	Silicone lid seal	Sealable lid screw in steel
TS 35								
150	134	2	•	•	•	•	•	

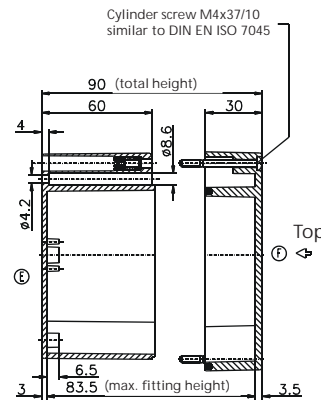
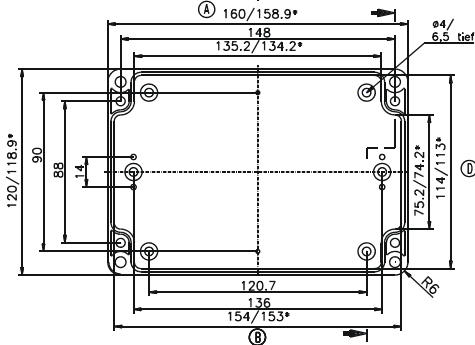
Maximum number of cable glands to *DIN 50262\**

M	Corner dim.	Side		PG	Corner dim.	Side	
		A/B	C/D			A/B	C/D
12	17.25	21	12	7	17.25	21	12
16	25.30	10	6	9	21.85	12	6
20	27.60	9	4	11	25.30	10	6
25	37.95	4	2	13.5	27.60	9	4
32	48.30	3	1	16	31.05	5	3
40	60.95			21	37.95	3	2
50	69.00			29	48.30	2	1
63	74.75			36	60.95		
				42	69.00		
				48	74.75		

Lid



\* = Conical form tapering downwards  
Free dimensions-tolerance to DIN 16901 - 130



Base

Type: . . .12 16 14

External dimensions: 120 x 160 x 140 mm

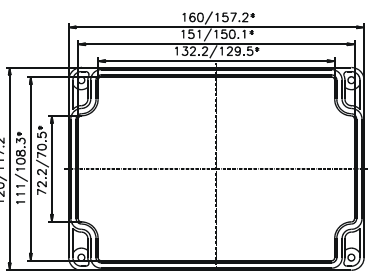
Weight: 600 g

DIN rail length in mm	max. fitting length in mm	Mounting plate (thickness in mm)	External mounting brackets	External hinge* set	EMC version	Self-adhesive rubber feet set	Silicone lid seal	Sealable lid screw in steel
TS 35								
150	134	2	•	•	•	•	•	

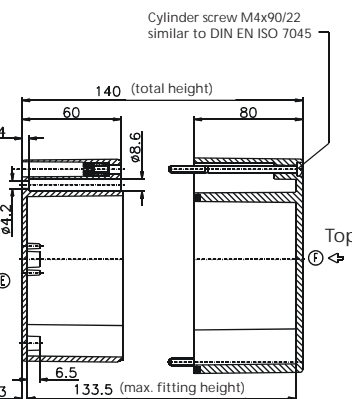
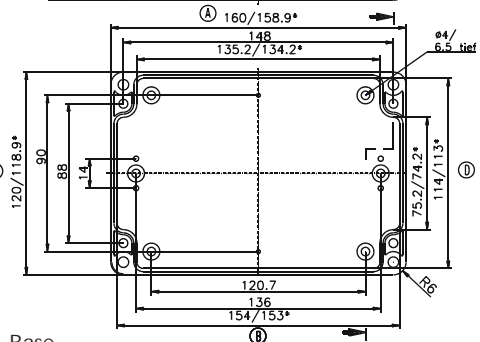
Maximum number of cable glands to *DIN 50262\**

M	Corner dim.	Side		PG	Corner dim.	Side	
		A/B	C/D			A/B	C/D
12	17.25	21	12	7	17.25	21	12
16	25.30	10	6	9	21.85	12	6
20	27.60	9	4	11	25.30	10	6
25	37.95	4	2	13.5	27.60	9	4
32	48.30	3	1	16	31.05	5	3
40	60.95			21	37.95	3	2
50	69.00			29	48.30	2	1
63	74.75			36	60.95		
				42	69.00		
				48	74.75		

Lid



\* = Conical form tapering downwards  
Free dimensions-tolerance to DIN 16901 - 130



Base

Type: . . . 12 20 08

External dimensions: 120 x 200 x 75 mm

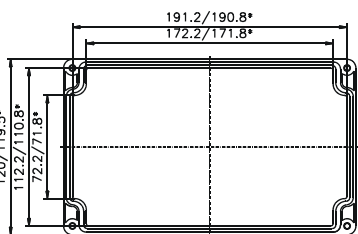
Weight: 400 g

DIN rail length in mm	max. fitting length in mm	Mounting plate (thickness in mm)	External mounting brackets	External hinge* set	EMC version	Self-adhesive rubber feet set	Silicone lid seal	Sealable lid screw in steel
TS 35								
190	174	2	•	•	•	•	•	•

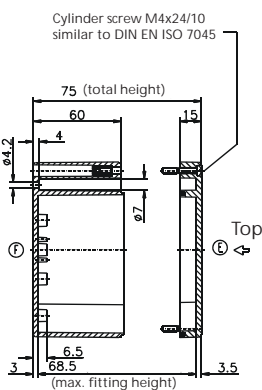
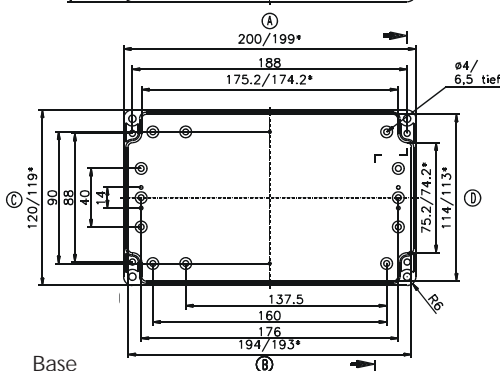
Maximum number of cable glands to *DIN 50262\**

M	Corner dim.	Side		PG	Corner dim.	Side	
		A/B	C/D			A/B	C/D
12	17.25	30	15	7	17.25	30	15
16	25.30	14	6	9	21.85	20	9
20	27.60	12	6	11	25.30	12	6
25	37.95	5	3	13.5	27.60	12	6
32	48.30	3	2	16	31.05	10	4
40	60.95			21	37.95	5	2
50	69.00			29	48.30	3	2
63	74.75			36	60.95		
				42	69.00		
				48	74.75		

Lid



\* = Conical form tapering downwards  
Free dimensions-tolerance to DIN 16901 - 130



Type: . . . 12 20 09

External dimensions: 120 x 200 x 90 mm

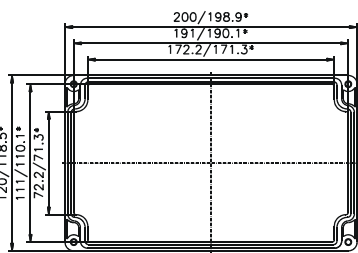
Weight: 475 g

DIN rail length in mm	max. fitting length in mm	Mounting plate (thickness in mm)	External mounting brackets	External hinge* set	EMC version	Self-adhesive rubber feet set	Silicone lid seal	Sealable lid screw in steel
TS 35								
190	174	2	•	•	•	•	•	•

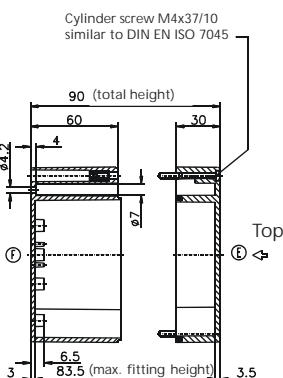
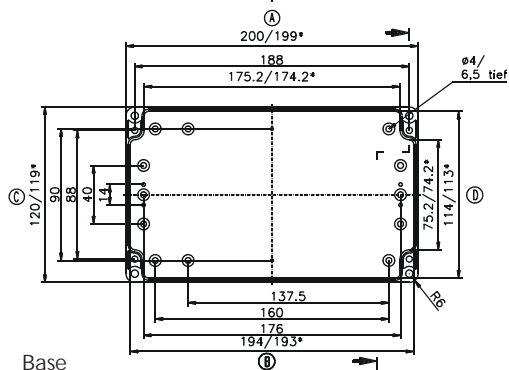
Maximum number of cable glands to *DIN 50262\**

M	Corner dim.	Side		PG	Corner dim.	Side	
		A/B	C/D			A/B	C/D
12	17.25	30	12	7	17.25	30	11
16	25.30	14	6	9	21.85	18	6
20	27.60	12	4	11	25.30	12	6
25	37.95	5	2	13.5	27.60	12	4
32	48.30	3	1	16	31.05	10	3
40	60.95			21	37.95	5	2
50	69.00			29	48.30	3	1
63	74.75			36	60.95		
				42	69.00		
				48	74.75		

Lid



\* = Conical form tapering downwards  
Free dimensions-tolerance to DIN 16901 - 130



Type: . . . 12 24 10

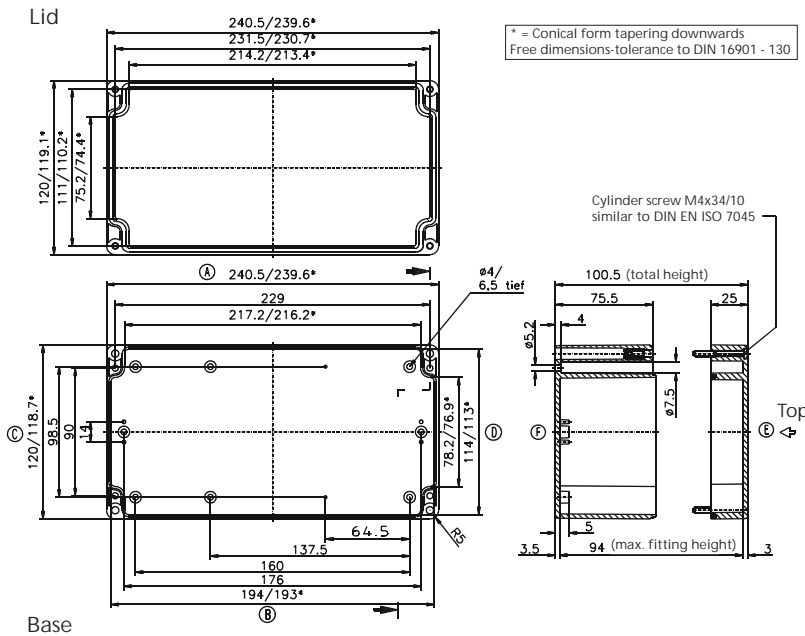
External dimensions: 120 x 240 x 100 mm

Weight: 520 g

DIN rail length in mm	max. fitting length in mm	Mounting plate (thickness in mm)	External mounting brackets	External hinge* set	EMC version	Self-adhesive rubber feet set	Silicone lid seal	Sealable lid screw in steel	
TS 35									
230	216	2	•	•	•	•	•		

Maximum number of cable glands to *DIN 50262\**

M	Corner dim.	Side		PG	Corner dim.	Side	
		A/B	C/D			A/B	C/D
12	17.25	48	16	7	17.25	48	16
16	25.30	24	8	9	21.85	30	9
20	27.60	17	5	11	25.30	21	6
25	37.95	10	3	13.5	27.60	17	5
32	48.30	5	1	16	31.05	14	5
40	60.95	3	1	21	37.95	9	3
50	69.00	3	1	29	48.30	5	1
63	74.75			36	60.95	3	1
				42	69.00	3	1
				48	74.75		



Type: . . . 15 20 08

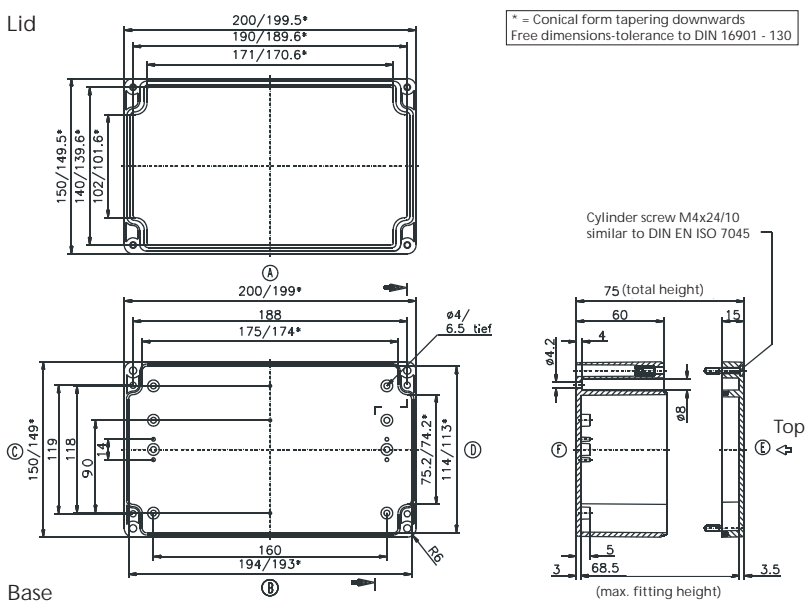
External dimensions: 150 x 200 x 75 mm

Weight: 525 g

DIN rail length in mm	max. fitting length in mm	Mounting plate (thickness in mm)	External mounting brackets	External hinge* set	EMC version	Self-adhesive rubber feet set	Silicone lid seal	Sealable lid screw in steel	
TS 35									
170	174	2	•	•	•	•	•		

Maximum number of cable glands to *DIN 50262\**

M	Corner dim.	Side		PG	Corner dim.	Side	
		A/B	C/D			A/B	C/D
12	17.25	30	17	7	17.25	30	17
16	25.30	14	8	9	21.85	20	9
20	27.60	12	6	11	25.30	14	8
25	37.95	5	3	13.5	27.60	12	6
32	48.30	3	2	16	31.05	10	4
40	60.95			21	37.95	5	3
50	69.00			29	48.30	3	2
63	74.75			36	60.95		
				42	69.00		
				48	74.75		



Type: **. . .16 24 09**

External dimensions: **160 x 240 x 90 mm**

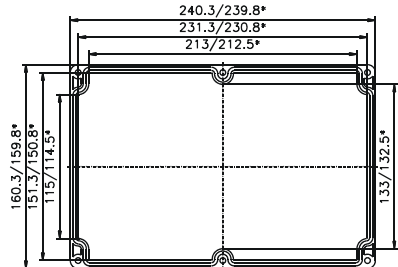
Weight: **650 g**

DIN rail length in mm	max. fitting length in mm	Mounting plate (thickness in mm)	External mounting brackets	External hinge* set	EMC version	Self-adhesive rubber feet set	Silicone lid seal	Sealable lid screw in steel
TS 35								
230	214	2.5	•	•	•	•	•	•

Maximum number of cable glands to *DIN 50262\**

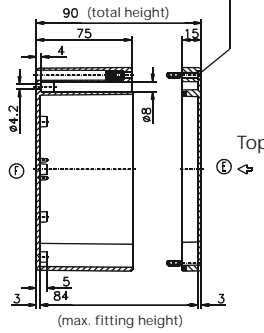
M	Corner dim.	Side		PG	Corner dim.	Side	
		A/B	C/D			A/B	C/D
12	17.25	40	26	7	17.25	40	26
16	25.30	18	11	9	21.85	24	15
20	27.60	12	8	11	25.30	16	11
25	37.95	8	4	13.5	27.60	12	8
32	48.30	4	2	16	31.05	12	8
40	60.95	2	2	21	37.95	6	4
50	69.00	2	1	29	48.30	4	2
63	74.75			36	60.95	2	2
				42	69.00	2	1
				48	74.75		

Lid

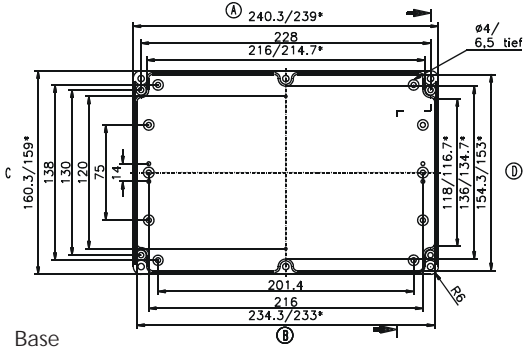


\* = Conical form tapering downwards  
Free dimensions-tolerance to DIN 16901 - 130

Cylinder screw M4x24/10 similar to DIN EN ISO 7045



Base



Type: **. . .16 24 12**

External dimensions: **160 x 240 x 120 mm**

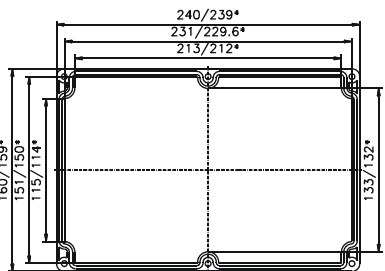
Weight: **795 g**

DIN rail length in mm	max. fitting length in mm	Mounting plate (thickness in mm)	External mounting brackets	External hinge* set	EMC version	Self-adhesive rubber feet set	Silicone lid seal	Sealable lid screw in steel
TS 35								
230	214	2.5	•	•	•	•	•	•

Maximum number of cable glands to *DIN 50262\**

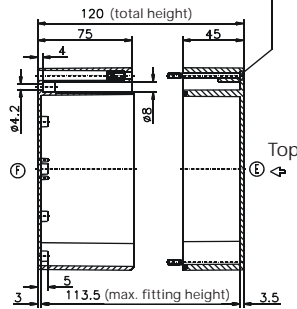
M	Corner dim.	Side		PG	Corner dim.	Side	
		A/B	C/D			A/B	C/D
12	17.25	40	26	7	17.25	40	26
16	25.30	22	12	9	21.85	24	15
20	27.60	16	9	11	25.30	18	12
25	37.95	8	5	13.5	27.60	16	9
32	48.30	4	3	16	31.05	12	8
40	60.95	2	2	21	37.95	8	5
50	69.00	2	1	29	48.30	4	2
63	74.75			36	60.95	2	2
				42	69.00	2	1
				48	74.75		

Lid

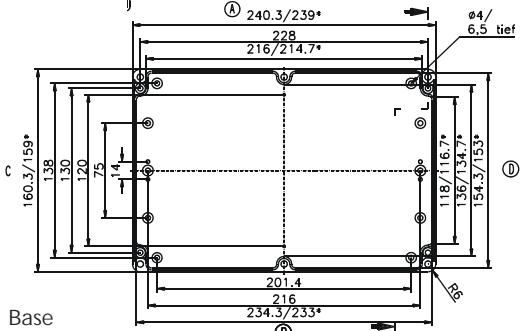


\* = Conical form tapering downwards  
Free dimensions-tolerance to DIN 16901 - 130

Cylinder screw M4x55/10 similar to DIN EN ISO 7045



Base





Type: **...16 36 10**

External dimensions: **160 x 360 x 100 mm**

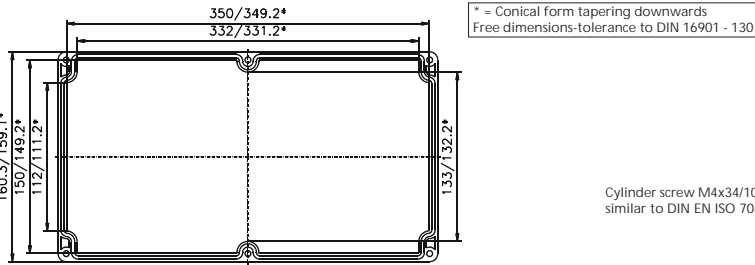
Weight: **985 g**

DIN rail length in mm	max. fitting length in mm	Mounting plate (thickness in mm)	External mounting brackets	External hinge* set	EMC version	Self-adhesive rubber feet set	Silicone lid seal	Sealable lid screw in steel
TS 35	345	333	2.5	•	•	•	•	•

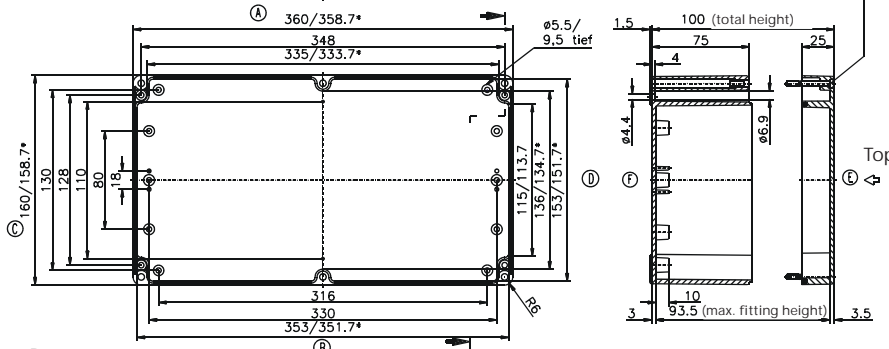
Maximum number of cable glands to **DIN 50262\***

M	Corner dim.	Side		PG	Corner dim.	Side	
		A/B	C/D			A/B	C/D
12	17.25	72	24	7	17.25	72	24
16	25.30	36	12	9	21.85	44	15
20	27.60	28	9	11	25.30	36	11
25	37.95	16	5	13.5	27.60	28	9
32	48.30	8	2	16	31.05	20	6
40	60.95	4	2	21	37.95	16	5
50	69.00	4	1	29	48.30	6	2
63	74.75	4		36	60.95	4	2
				42	69.00	4	1
				48	74.75	4	

Lid



Base



Type: **...20 36 15**

External dimensions: **200 x 360 x 150 mm**

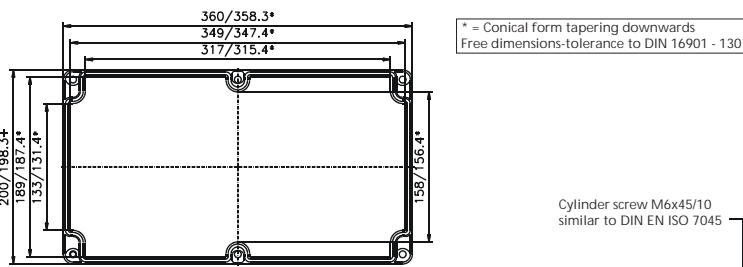
Weight: **1550 g**

DIN rail length in mm	max. fitting length in mm	Mounting plate (thickness in mm)	External mounting brackets	External hinge* set	EMC version	Self-adhesive rubber feet set	Silicone lid seal	Sealable lid screw in steel
TS 35	345	333	2.5	•	•	•	•	•

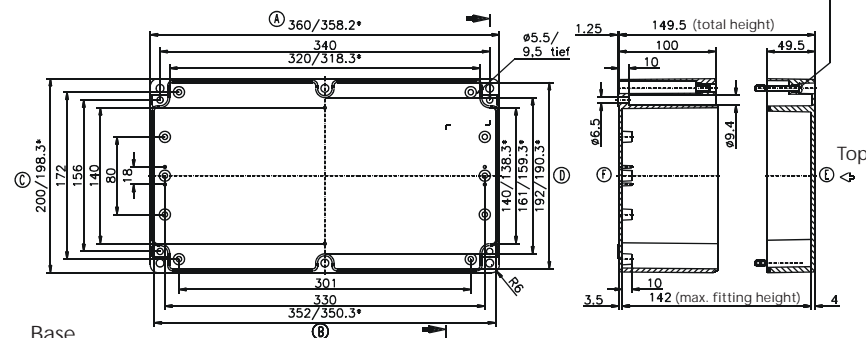
Maximum number of cable glands to **DIN 50262\***

M	Corner dim.	Side		PG	Corner dim.	Side	
		A/B	C/D			A/B	C/D
12	17.25	96	35	7	17.25	96	35
16	25.30	44	18	9	21.85	56	24
20	27.60	32	15	11	25.30	44	16
25	37.95	18	6	13.5	27.60	32	15
32	48.30	12	5	16	31.05	30	12
40	60.95	6	2	21	37.95	16	6
50	69.00	4	2	29	48.30	12	4
63	74.75	4	1	36	60.95	6	2
				42	69.00	4	2
				48	74.75	4	1

Lid

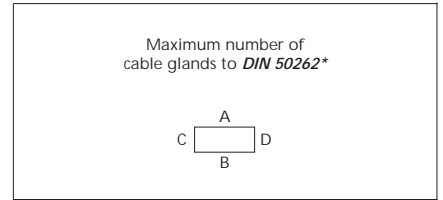


Base

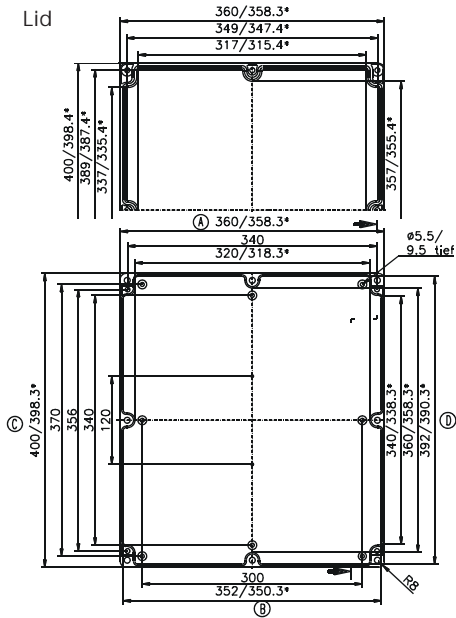




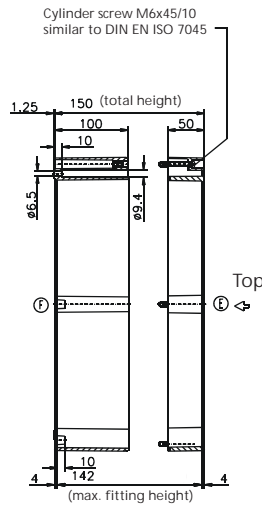
DIN rail length in mm	max. fitting length in mm	Mounting plate (thickness in mm)	External mounting brackets	External hinge* set	EMC version	Self-adhesive rubber feet set	Silicone lid seal	Sealable lid screw in steel	
TS 35	300	2	•	•	•		•		
345									



Lid



\* = Conical form tapering downwards  
Free dimensions-tolerance to DIN 16901 - 130



Base

M	Corner dim.	Side		PG	Corner dim.	Side	
		A/B	C/D			A/B	C/D
12	17.25	102	108	7	17.25	96	102
16	25.30	48	48	9	21.85	66	66
20	27.60	40	40	11	25.30	44	48
25	37.95	18	22	13,5	27.60	36	40
32	48.30	12	12	16	31.05	30	30
40	60.95	6	6	21	37.95	18	18
50	69.00	4	4	29	48.30	12	12
63	74.75	4	4	36	60.95	6	6
				42	69.00	4	4
				48	74.75	4	4