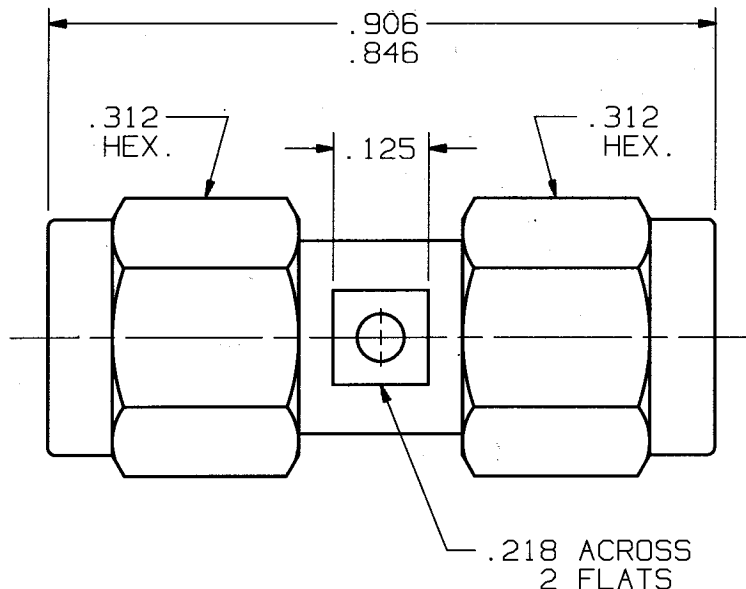


CONFIGURATION: [TOLERANCE ± .005 UNLESS OTHERWISE SPECIFIED]

DWG. NO.

SF2993-6001

ENG. FILE COPY



SMA, PLUG TO PLUG, STRAIGHT ADAPTER
CAPTIVE CONTACT

ELECTRICAL:

NOMINAL IMPEDANCE (OHMS)	50
FREQUENCY RANGE (GHZ)	DC TO 18.0
VOLTAGE RATING (MAX. VRMS)	335
VSWR (MAX.)	1.05 + .005f x GHz
INSERTION LOSS (DB MAX. x \sqrt{fGHz})	.04
RF LEAKAGE (MIN. DB DOWN)	60
RF HIGH POTENTIAL (MAX. VRMS)	670 AT 5 MHz
DIELECTRIC WITHSTANDING VOLT. (MAX. VRMS)	1000
INSULATION RESISTANCE (MIN. MEGOHMS)	5000
CONTACT RESISTANCE:	
CENTER CONTACT (MAX. MILLIOHMS)	6.0
OUTER CONTACT (MAX. MILLIOHMS)	4.0

MECHANICAL:

	PER MIL-STD 348 AND S/V MD-107
INTERFACE DIMENSIONS	
RECOMMENDED MATING TORQUE	7 TO 10 IN. LB.
CENTER CONTACT AXIAL FORCES:	
INSERTION (MAX. OUNCES)	N/A
WITHDRAWAL (MIN. OUNCES)	N/A
CONNECTOR DURABILITY (MIN. CYCLES)	500
CONNECTOR ENGAGEMENT AND DISENGAGEMENT (MAX. INCH LBS.)	2.0
CENTER CONTACT CAPTIVATION	6.0 LBS. MIN. AXIAL FORCE

MATERIAL & FINISH:

BODY & COUPLING NUTS: STAINLESS STEEL PER AMS 5640, UNS S30300;
PASSIVATED PER QQ-P-35C, TYPE II.

CONTACT: BERYLLIUM COPPER PER ASTM-B-196, ALLOY C17300, COND. TD04
GOLD PER MIL-G-45204, TYPE I, GRADE C, CLASS 1 OVER NICKEL
PER QQ-N-290, CLASS 1.

LOCK RING: BERYLLIUM COPPER PER ASTM B196, COND. TD04, ALLOY
UNS-C17300.

GASKET: SILICONE RUBBER PER ZZ-R-765, CLASS IIB, GRADE 50-60.

INSULATOR: TEFLON PER ASTM D1457

ENVIRONMENTAL:

TEMP. RATING (DEGREES CENTIGRADE)	-65° TO +165°C
VIBRATION (MIL-STD-202, METHOD 204, CONDITION D, 20G'S)	
SHOCK (MIL-STD-202, METHOD 213, COND. I, 100G'S)	
TEMP. CYCLING (MIL-STD-202, METHOD 107, COND. B, -65c TO 125° C)	
MOISTURE RESISTANCE (MIL-STD-202, METHOD 106, LESS STEP 7B)	
BAROMETRIC PRESSURE (ALTITUDE) MIL-STD-202, METHOD 105, COND. C. 70,000 FT., 250 VRMS)	
HERMETICITY	N/A

SYM.	DESCRIPTION	DATE	APPR.	REDRAWN:	APPROVED:
-	REL. DCN F-7112	5/79	DGG	BRT	DGG
A	REV. DCN 23270	3/97	Am	DATE 3/13/97	DATE 12/3/76

**SOLITRON/VECTOR
MICROWAVE**
3301 ELECTRONICS WAY
WEST PALM BEACH, FL., 33407

DWG. NO.

SF2993-6001