

**PLEASE CHECK WWW.MOLEX.COM FOR LATEST PART INFORMATION**

**Part Number:** [0943285001](#)  
**Status:** **Active**  
**Description:** Surface Mount Micro Spring Contact for Board-to-Board Connection

**Documents:**

[Drawing \(PDF\)](#) [RoHS Certificate of Compliance \(PDF\)](#)  
[Product Specification PS-94328-001 \(PDF\)](#)

**General**

Product Family	Accessories
Series	<a href="#">94328</a>
Component Type	Spring Contact
Product Name	N/A
UPC	822350765367

**Physical**

Circuits (Loaded)	1
Net Weight	9.500/mg
Packaging Type	Reel

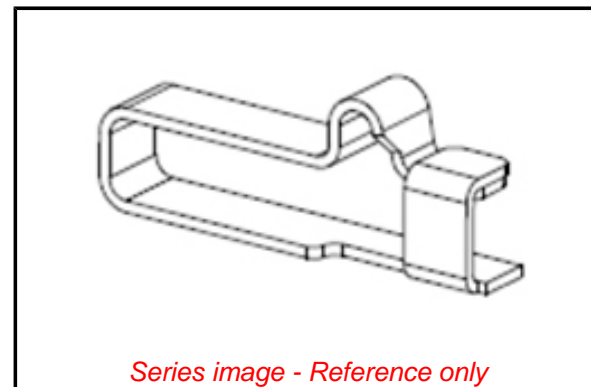
**Solder Process Data**

Duration at Max. Process Temperature (seconds)	015
Lead-freeProcess Capability	REFLOW
Max. Cycles at Max. Process Temperature	004
Process Temperature max. C	265

**Material Info**

**Reference - Drawing Numbers**

Product Specification	PS-94328-001, RPS-94328-001
Sales Drawing	SD-94328-001



**EU ELV**

**Compliant**

**EU RoHS**

**Compliant**

**REACH SVHC**

Not Contained Per  
-ED/79/2015 (17  
December 2015)

**Halogen-Free**

**Status**

**Not Relevant**

**Need more information on product environmental compliance?**

Email [productcompliance@molex.com](mailto:productcompliance@molex.com)  
Please visit the [Contact Us](#) section for any non-product compliance questions.

China ROHS

ELV

Not Relevant

Compliant

**Search Parts in this Series**

[94328](#) Series