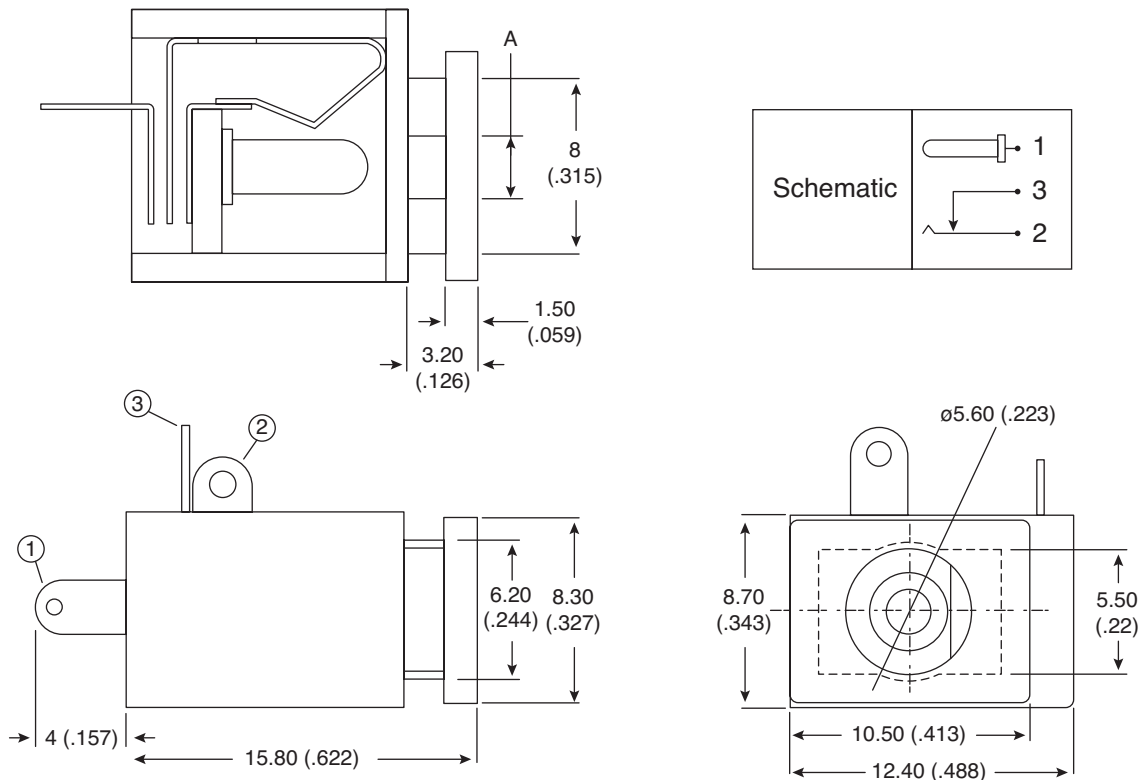


DC Power Jacks

163-2111-E, 163-2531-E

KOBICONN

DC Power Jacks



DIMENSIONS: mm (in.)

SPECIFICATIONS	
Housing:	POM Black
Terminals:	Phosphor bronze silver plated
Pin:	Copper nickel plated
Rating:	16VDC 2A
Dielectric Strength:	500VAC for 1 min.
Insulation Resistance:	100M ohm minimum
Contact Resistance:	30m ohms max
Dimension "A":	2.0mm 163-2111-E 2.5mm 163-2531-E
RoHS Compliant	

Date Last Revised: 6-22-07

Available from Mouser Electronics
1-800-346-6873 / www.mouser.com

KC-301092

Specifications are subject to change without notice. No liability or warranty implied by this information. Environmental compliance based on producer documentation.

163-2111-E, 163-2531-E