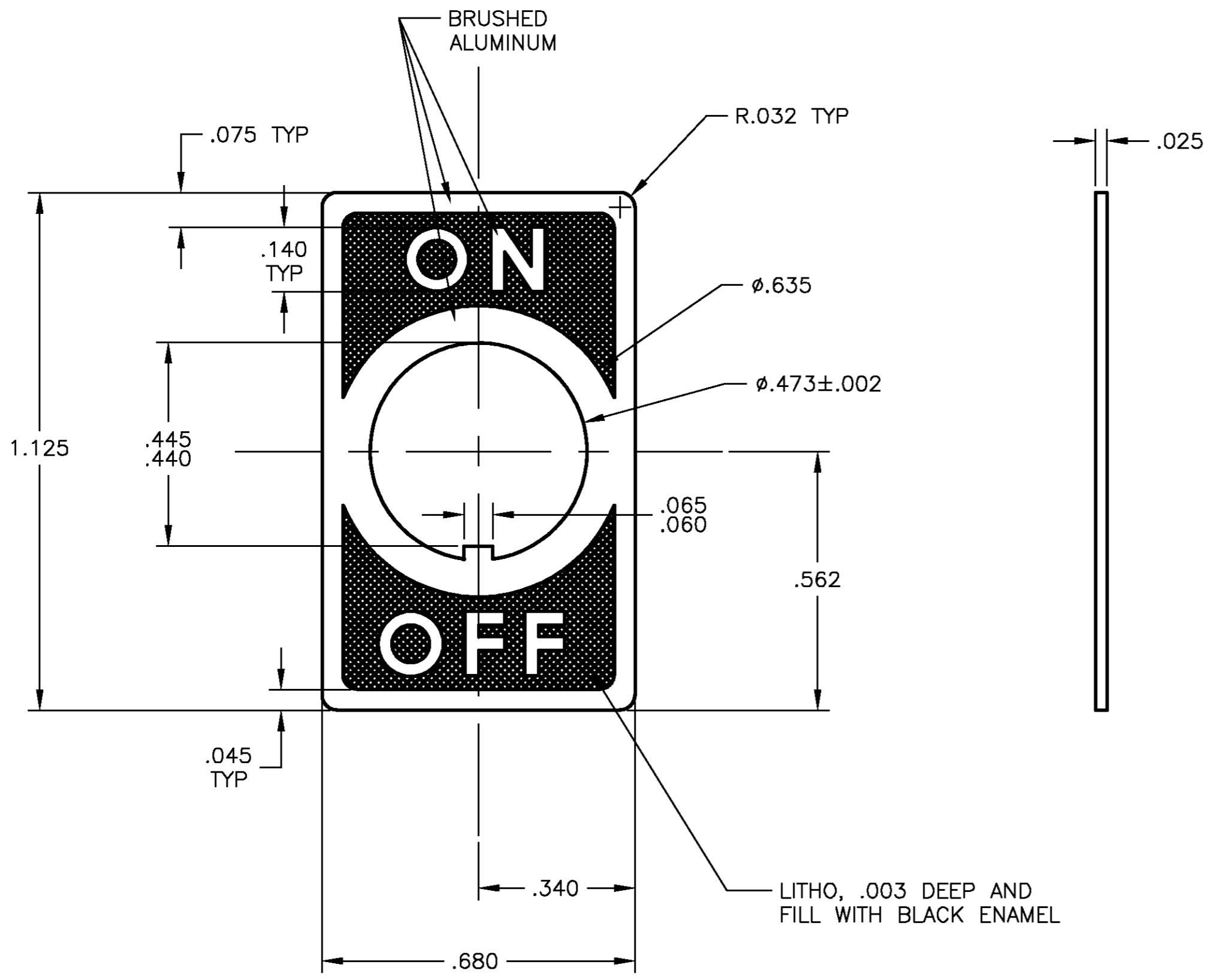
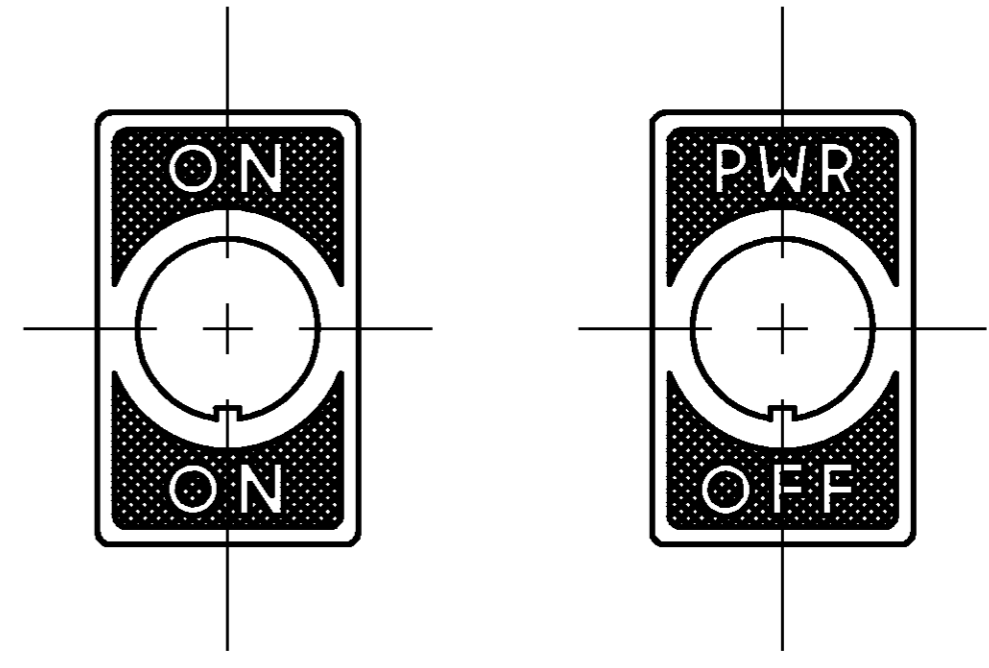


THIS DRAWING IS UNPUBLISHED. RELEASED FOR PUBLICATION
 © COPYRIGHT BY TYCO ELECTRONICS CORPORATION. ALL RIGHTS RESERVED.

| LDC | | DIST | | REVISIONS | | | |
|-----|-----|----------------------|--|-----------|-----|------|--|
| P | LTR | DESCRIPTION | | DATE | DWN | APVD | |
| | A | REV PER OG3C-0242-02 | | 19NOV02 | RB | MZ | |



SPA-42



SCALE 2:1

| | |
|--------------|--------------|
| SPA-43 | 2-1437628-7 |
| SPA-42 | 2-1437628-6 |
| SPA-41 | 2-1437628-5 |
| ALCO PT. NO. | TYCO PT. NO. |

| | | | | |
|--|--------------|----------------------------|--|--------------------|
| THIS DRAWING IS A CONTROLLED DOCUMENT. | | DWN R BROWN 19NOV02 | Tyco Electronics Corporation Harrisburg, PA | |
| DIMENSIONS: INCHES | | CHK M ZITTO 19NOV02 | NAME SWITCH PLATE SPA 41, 42 & 43 | |
| TOLERANCES UNLESS OTHERWISE SPECIFIED: | | APVD M ZITTO 19NOV02 | SIZE A2 | CAGE CODE 00779 |
| 0 PLC ± - | 1 PLC ± - | PRODUCT SPEC | DRAWING NO C-2-1437628-5 | RESTRICTED TO |
| 2 PLC ± - | 3 PLC ± .005 | APPLICATION SPEC | SCALE 4:1 | SHEET 1 OF 1 |
| 4 PLC ± - | ANGLES ± - | WEIGHT | REV A | |
| MATERIAL | FINISH | CUSTOMER DRAWING | | |

2-1437628-5