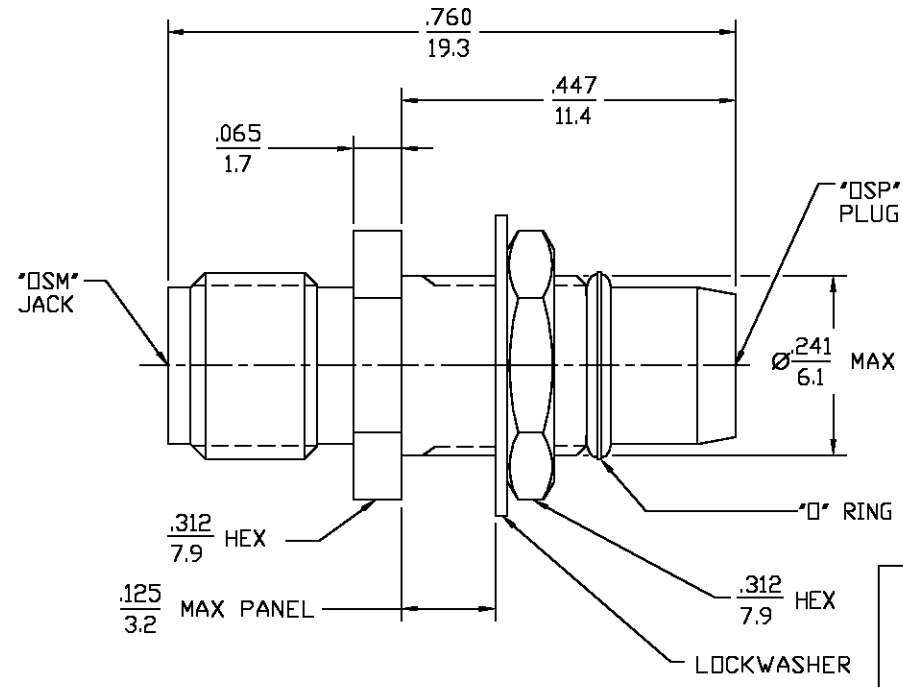


REVISIONS			
REV	DESCRIPTION	DATE	APPROVED
01 0	RELEASED	1/15/97	PCW
B	REVISED PER ECN 0020-0262-01	GV 01/06/03	JGH



HOUSING	STAINLESS STEEL PER ASTM-A484 AND ASTM-A582, TYPE 303	PASSIVATE PER QQ-P-35
MOUNTING NUT		
LOCKWASHER		
DIELECTRIC	TFE FLUOROCARBON PER ASTM-D-1457	N/A
CENTER CONTACT	BERYLLIUM COPPER PER ASTM-B-196 OR ASTM-B-197, ALLOY C17300, CONDITION H	GOLD PLATE PER MIL-G-45204
O-RING	FLOUROSILICONE PER MIL-R-25988, CLASS I, TYPE I.	N/A

COMPONENT	MATERIAL	FINISH
-----------	----------	--------

NOTE:

- CAPTURED CENTER CONTACT

.XXX = in  
XX.X = mm (REF)

UNLESS OTHERWISE SPECIFIED DIMENSIONS ARE IN INCHES	DRAWN BY: <i>PCW</i>	DATE: 12/18/96	<b>AMP</b> AMP Incorporated 140 Fourth Avenue Waltham, MA 02451-7599
	CHECKED BY:		
	APPROVED BY: <i>PCW</i>	1/15/97	
These drawings and specifications are the property of M/A COM Interconnect Div. and shall not be reproduced or copied or used in whole or in part as the basis for the manufacture or sale of item(s) without written permission.	USE ASS'Y PROCEDURE	TITLE: DSM JACK TO DSP BULKHEAD FEEDTHROUGH PLUG ADAPTER	
	NO. A.P. N/A	SIZE: B	CODE IDENT NO.: 26805
		4585-4030-02	REV: 01 0
	SCALE 5:1	N/A	SHEET 1 OF 1

CUSTOMER DRAWING

AMP PART # 1083442-1  
SHEET 1 OF 1 REV B