

PLEASE CHECK WWW.MOLEX.COM FOR LATEST PART INFORMATION

Part Number: [0731713231](#)
Status: **Active**
Overview: [BNC RF Connectors](#)
Description: 75 Ohms, BNC Vertical Jack, 3 Ghz, One Piece Per Bag

Documents:

[Drawing \(PDF\)](#) [RoHS Certificate of Compliance \(PDF\)](#)

General

Product Family	RF/Coax Connectors
Series	73171
Comments	Optimized 3 GHz
Overview	BNC RF Connectors
Product Name	BNC 3 GHz
Style	PCB
UPC	884982650886
Wire/Cable Type	N/A

Physical

Gender	Jack
Keying to Mating Part	Yes
Orientation	Straight
PCB Mounting	Through Hole
Packaging Type	Bag
Panel Mount	No
Panel Mount Method	N/A
Reverse Polar	No

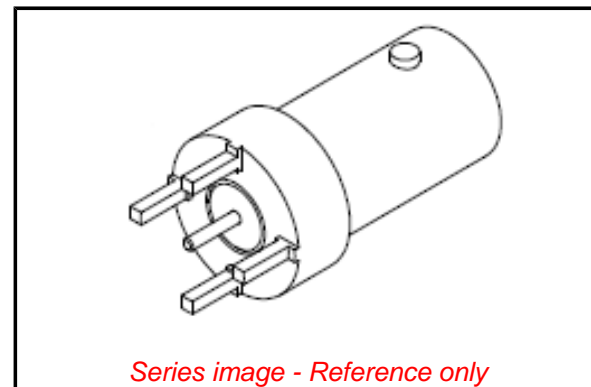
Electrical

Impedance	75#
-----------	-----

Material Info

Reference - Drawing Numbers

Sales Drawing	SD-73171-323
---------------	--------------



Series image - Reference only

EU ELV

Not Reviewed

EU RoHS

Not Reviewed

REACH SVHC

Not Reviewed

Halogen-Free

Status

Not Reviewed

Need more information on product environmental compliance?

Email productcompliance@molex.com
Please visit the [Contact Us](#) section for any non-product compliance questions.

China ROHS

Not Reviewed

ELV

Not Reviewed

Search Parts in this Series

[73171](#) Series

PLEASE CHECK WWW.MOLEX.COM FOR LATEST PART INFORMATION