

TS series

Proportional Hall effect thumbsticks

Distinctive features and specifications



- 1 or 2 axis
- Pushbutton handle option
- Non-contact Hall effect technology
- Submersible to 1m (3.28ft) per IP68
- Threaded metal housing option
- Redundant outputs available
- USB outputs available

MECHANICAL (FOR X, Y AXIS)

- Operating Force: 3.1N±0.5N (0.70lbf±0.11lbf)¹
- Maximum Vertical Load: 200N (45lbf)¹
- Maximum Horizontal Load: 150N (33.7lbf)¹
- Mechanical Angle of Movement: 50°
- Expected Life: 1 million cycles
- Mass/weight: 18.25g ± 5.0g (0.64oz±0.18oz)
- Lever Action (Centering): Spring centering

ENVIRONMENTAL

- Operating Temperature: -40°C to +85°C (-40°F to +185°F)
- Storage Temperature: -40°C to +85°C (-40°F to +185°F)
- Sealing: IP68, IP69K²
- EMC Immunity Level: EN61000-4-3
- EMC Emissions Level: EN61000-6-3:2001
- ESD: EN61000-4-2

ELECTRICAL SENSOR

- Resolution: 1.22mV
- Supply Voltage Range: 5.00V±0.01V
- Reverse Polarity Max: -10V
- Overvoltage Max: 20V
- Output Impedance: 2Ω
- Return to Center Voltage Tolerance: ±200mV initial

PUSHBUTTON SWITCH (Option 6 Handle)

- Electrical life: 100,000 cycles
- Rating: 50mA, 12VDC.
- Terminal: Brass with silver plating
- Contact resistance: 100mΩ max
- Insulation resistance: 100MΩ min. 500VDC
- Dielectric strength: 250VAC /1 minute
- Contact arrangement: 1 pole 1 throw
- Operation force: 1.5lbf
- Stop strength: Max 3kgf vertical static load for 15 seconds
- Operating temperature: -25°C to +70°C (-13°F to +158°F)
- Storage temperature: -30°C to +85°C (-22°F to +185°F)
- Vibration resistance: MIL-STD-202F METHOD 201A
- Shock resistance: MIL-STD-202F METHOD 213B

MATERIALS

- Body: Glass filled nylon
- Threaded Body: Black oxide plated brass
- Boot: Silicone
- Handles: 1, 2, 3 - Glass filled nylon
4, 5, 6, 7, 8 - Silicone

NOTES:



Mounting accessories.

Standard hardware includes:

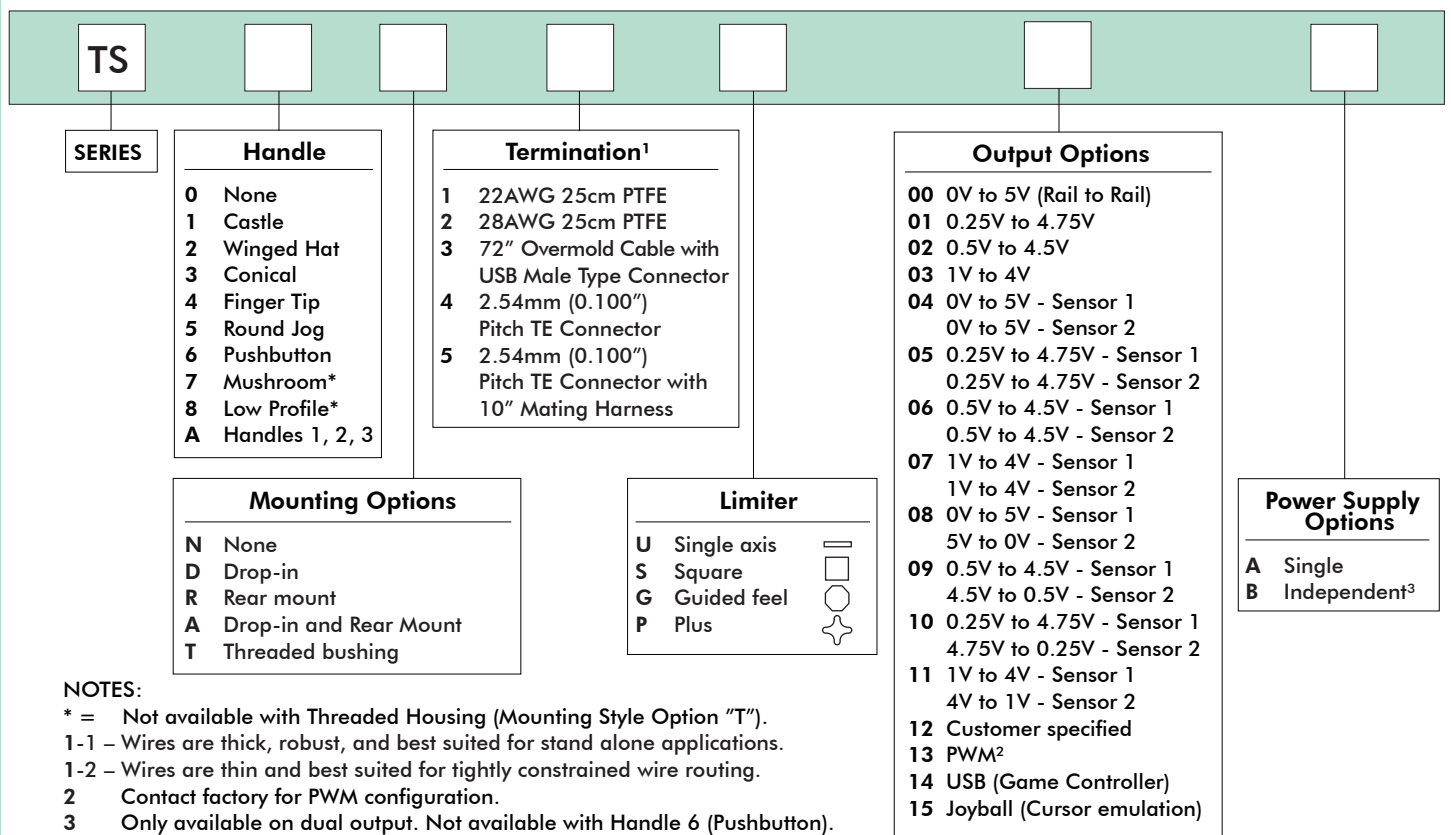
- For the Drop-in option – 4 push in connectors, drop-in bezel and an O-ring.
 - For the Rear mount option: 4x1/2 FH SS Phil Screws and a rear mount bezel.
- 1 Force applied to the top of the castle cap.
 - 2 All options are IP68 and IP69K rated, however Drop-in mounting does not prevent panel ingress.
- All values are nominal.



TS series

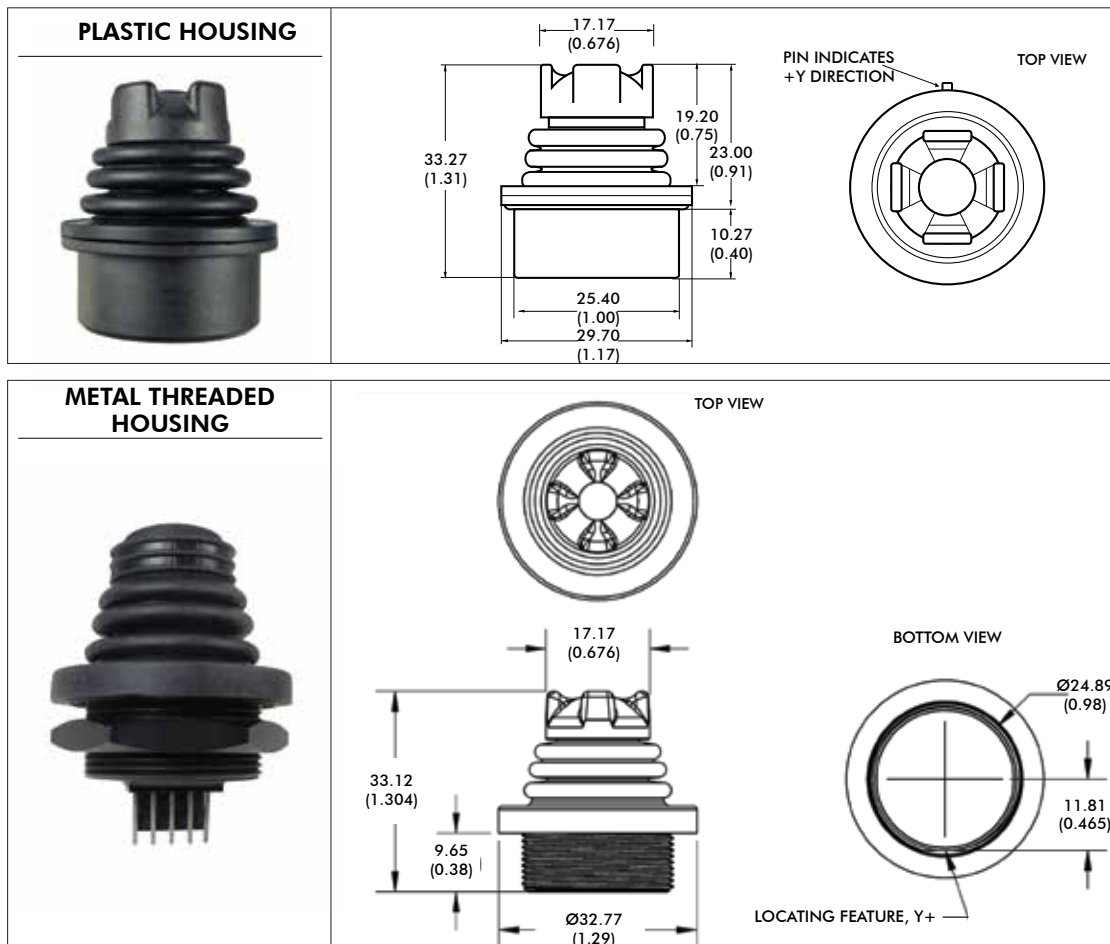
Proportional Hall effect thumbsticks

Overview



NOTES:

- * = Not available with Threaded Housing (Mounting Style Option "T").
- 1-1 – Wires are thick, robust, and best suited for stand alone applications.
- 1-2 – Wires are thin and best suited for tightly constrained wire routing.
- 2 – Contact factory for PWM configuration.
- 3 – Only available on dual output. Not available with Handle 6 (Pushbutton). Not available with Termination Options 4 or 5.



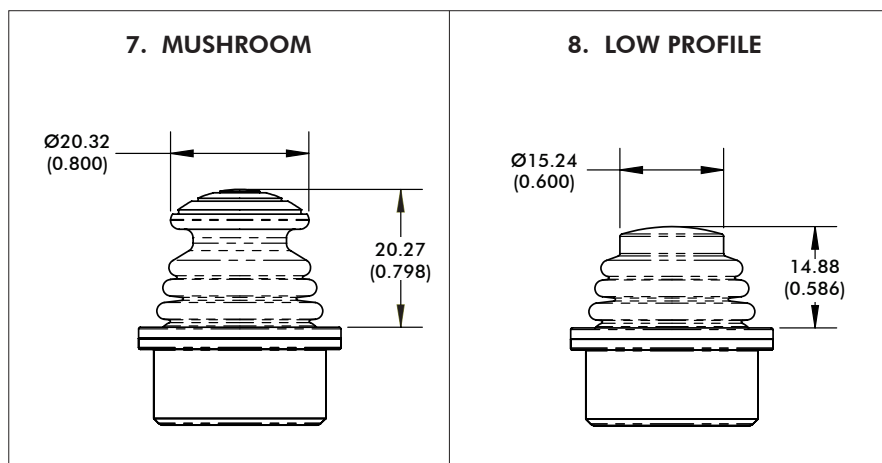
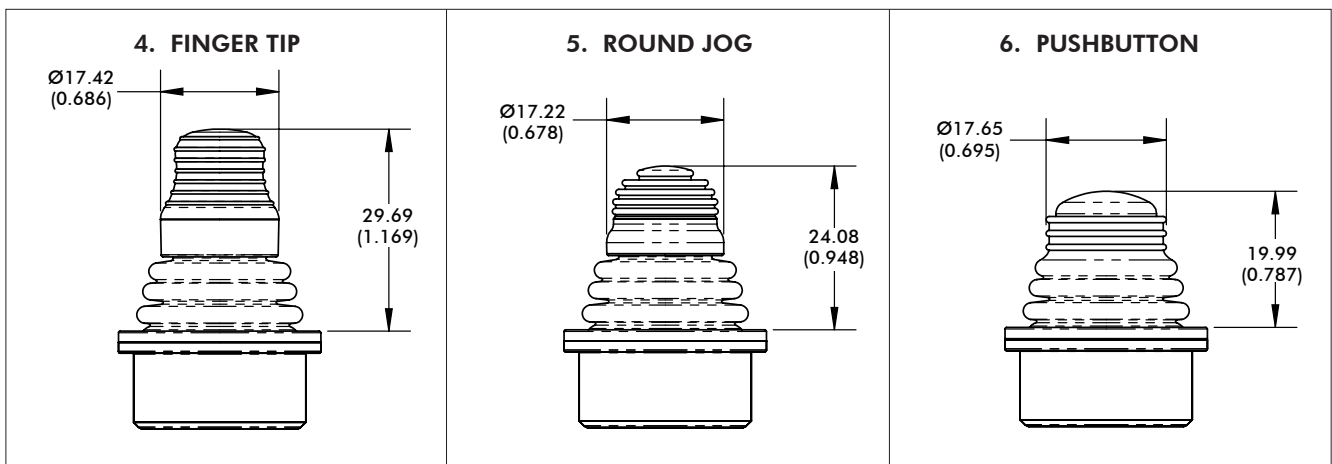
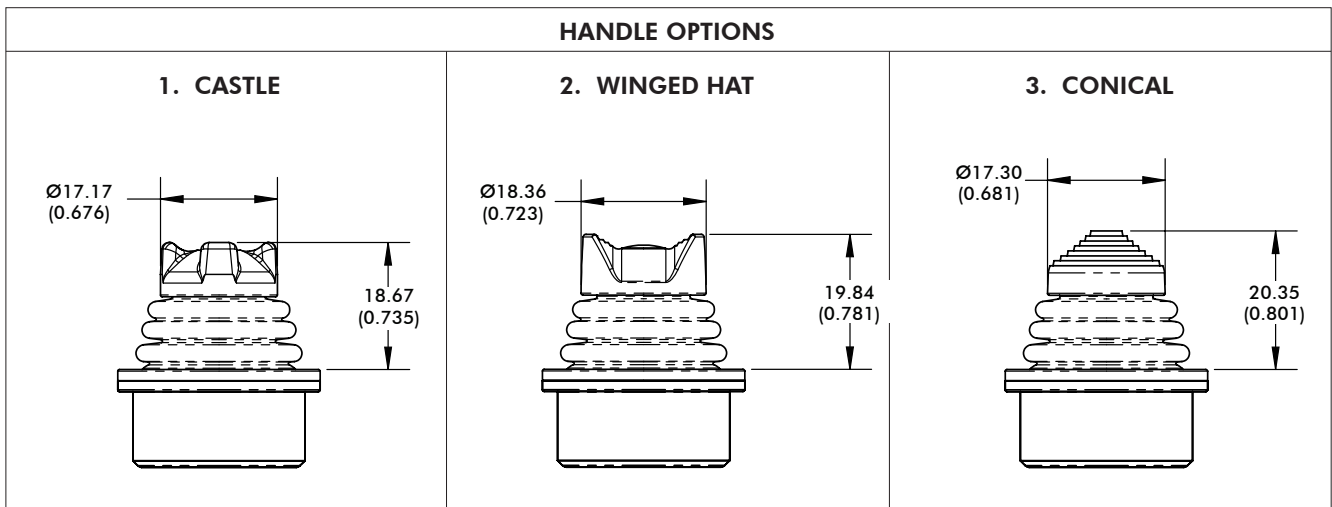
NOTE: Dimensions are in mm/(inch).

Note: The company reserves the right to change specifications without notice.

TS series

Proportional Hall effect thumbsticks

Models and dimensions



NOTES:

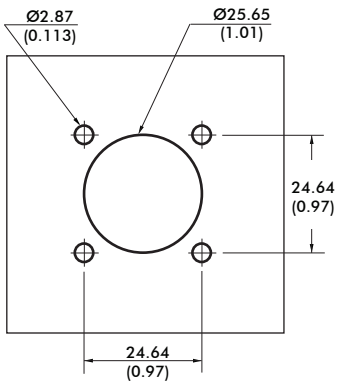
- Option 7 and 8 handles not available with the "T" threaded housing mounting style.
- Dimensions are in mm/(inch).

TS series

Proportional Hall effect thumbsticks

Models and dimensions – continued

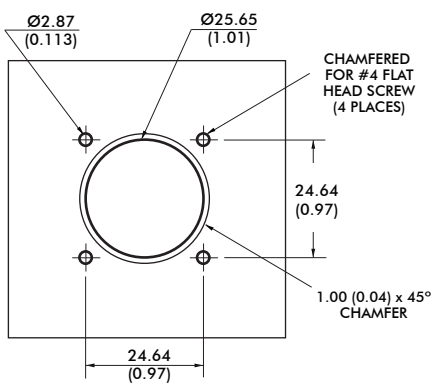
PLASTIC HOUSING - DROP-IN OPTION CUTOUT DIMENSIONS



4 x PUSH IN CONNECTORS



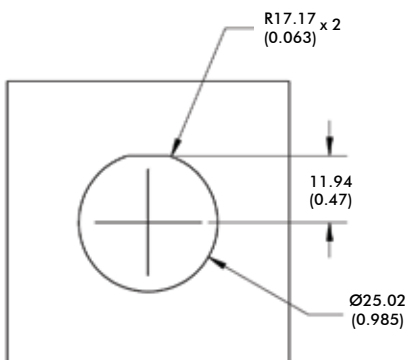
PLASTIC HOUSING - REAR MOUNT OPTION CUTOUT DIMENSIONS



4 x 1/2 FH SS PHIL SCREW



METAL THREADED HOUSING - DROP-IN OPTION CUTOUT DIMENSIONS



NOTES:

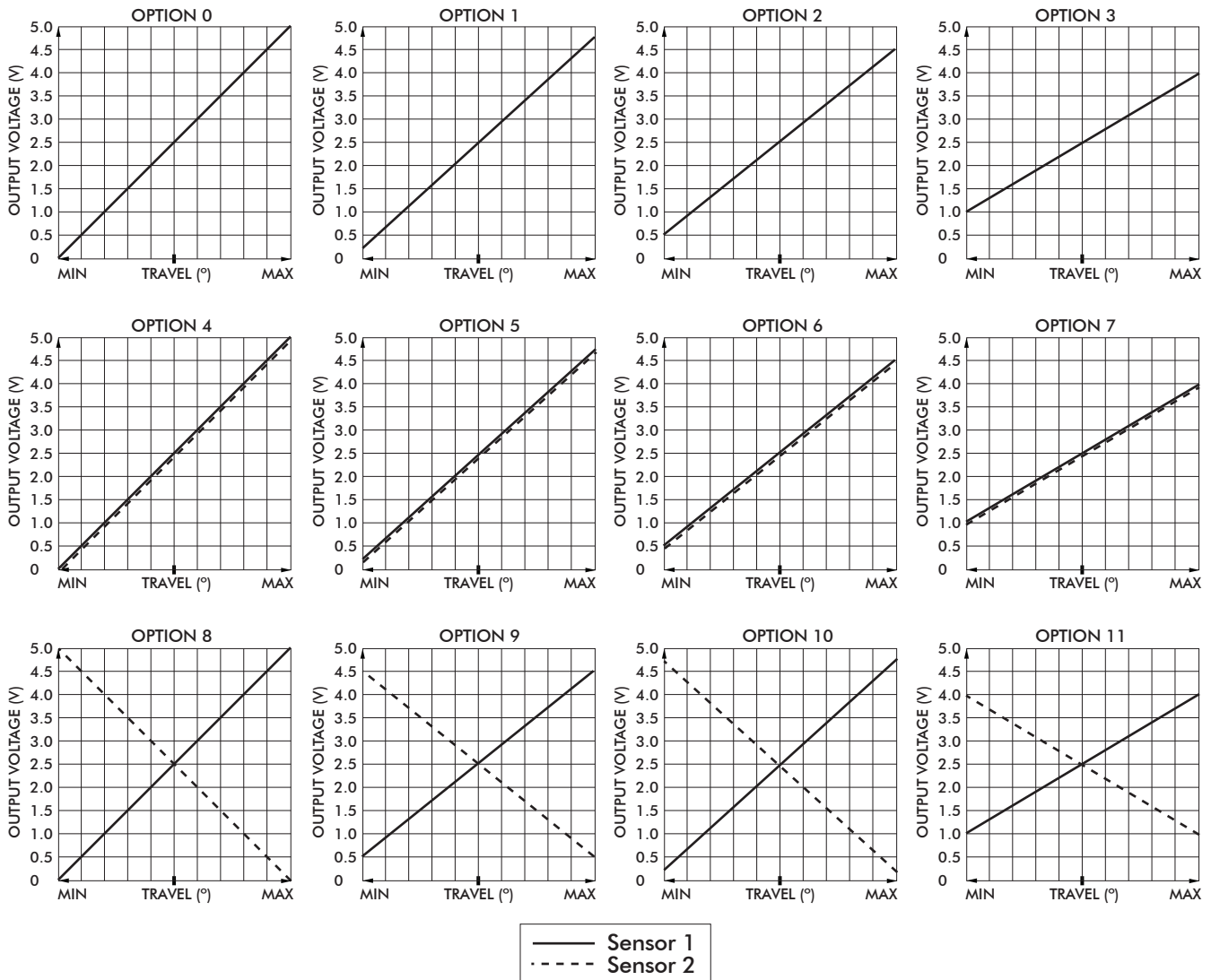
- 1 The maximum panel thickness for the Rear Mount configuration is 2.032mm (0.08in)
- 2 The under panel depth for the Drop-in configuration is 16.02mm/(0.631in).
- 2 The under panel depth for the Metal Threaded Housing configuration is 14.55mm/(0.573in).
- 3 Dimensions are in mm/(inch).

TS series

Proportional Hall effect thumbsticks

Models and dimensions – continued

VOLTAGE OUTPUT OPTIONS



WIRING SPECIFICATION

- Black: Ground & button common
- Red: Power (5V)
- Blue: X axis output (alpha)
- Yellow: Y axis output (alpha)
- Orange: Pushbutton switch (option 6 handle)
- Blue/White Stripe: X axis output (beta)
- Yellow/Black Stripe: Y axis output (beta)
- Red/White Stripe: Power (5V) (beta)
- Black/White Stripe: Ground (beta)

TS series

Proportional Hall effect thumbsticks

Overview

CONNECTOR TERMINATION OPTION

Single output configurations feature a five position TE 3-647166-5 connector. Dual output configurations feature a seven position TE 3-647166-7 connector. A mating harness is not included, but may be specified for single output configurations at the time of order for an additional charge. The five function harness is part number 505-499. The seven function harness is part number 505-500.

PINOUT SPECIFICATION		
	TE 3-647166-5	TE 3-647166-7
PIN 1	Y (alpha)	Pushbutton
PIN 2	5VDC	GND/ Pushbutton common
PIN 3	X (alpha)	X (alpha)
PIN 4	GND/ Pushbutton common	Y (beta)
PIN 5	Pushbutton	Y (alpha)
PIN 6	–	5VDC
PIN 7	–	X (beta)

USB

USB

Featuring USB 1.1 HID compliant interface, APEM's USB joysticks are recognized as standard HID "game controller" devices. Adhering to the HID specification, APEM's USB joysticks are plug-and-play with most versions of Windows. Joystick button and axis assignments are dependent upon the controlled application.

FEATURES

- USB 1.1 HID compliant "game controller" device
- Easy to install and operate
- Functions determined by controlled application

SUPPLIED WIRING

USB: USB Male Type A Connector with 72" overmolded cable

CURSOR EMULATION

The Cursor Emulation option converts multi-axis joystick output into a mouse, trackball, or cursor control device. The joystick's internal microprocessor converts absolute axis position into a cursor velocity, which is translated as a relative trackball or mouse position.

APPLICATIONS

The Cursor Emulation option is ideal for vehicle applications subjected to dirt and high vibration which makes operating a traditional cursor control device difficult. The Cursor Emulation option is widely used in shipboard and military applications.

FEATURES

- HID compliant "pointing device"
- Plug-and-play with USB option

SUPPLIED WIRING

USB: USB Male Type A Connector with overmolded cable