

PLEASE CHECK WWW.MOLEX.COM FOR LATEST PART INFORMATION

Part Number: [64016-2000](#)
Status: **Active**
Description: Taped Terminal Crimp Module used with TM-3000™ and TM-4000™ presses with ATP-201™ and ATP-301™ die sets.

Documents:
[RoHS Certificate of Compliance \(PDF\)](#)

General

Product Family	Application Tooling
Series	T9999
Comments	The 64016-2000 Air Tape Press (ATP) replacement module is used in one of the three Molex crimp presses only; 63801-7200 , 63801-7300 , or 63801-7600. This ATP replacement module will not work in any other industry standard crimp press. The 64016-2000 module uses the existing ATP-201 and ATP-301 die sets in the field.
Function	Crimp
Geographic Area	Global
Level of Automation	Semi-Automatic
Product Name	N/A
Survey	www.molex.com//review/apptool_survey.html
Tool Type	Base Unit
UPC	883906683634

Physical

Net Weight	6.720/g
------------	---------

Material Info

Reference - Drawing Numbers

Application Tooling Documents	TM-638017299, TM-640162000, TM-640162000SP
-------------------------------	--

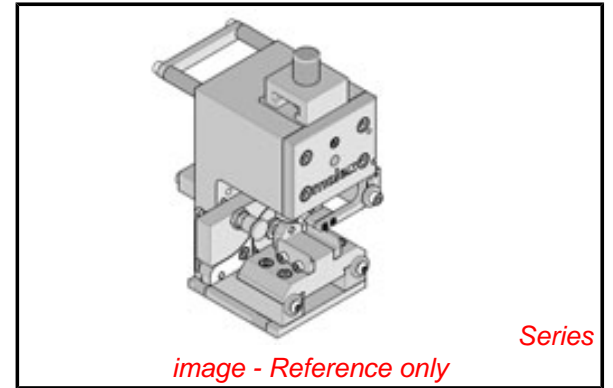


image - Reference only

EU RoHS	China RoHS
----------------	-------------------

Compliance Status

Not Reviewed

REACH SVHC

Not Reviewed

Low-Halogen Status

Not Reviewed

Need more information on product environmental compliance?

Email productcompliance@molex.com
 For a multiple part number RoHS Certificate of Compliance, [click here](#)

Please visit the [Contact Us](#) section for any non-product compliance questions.

Search Parts in this Series

[T9999Series](#)

Use With

TM-3000™ Universal Press [63801-7200](#) , [63801-7300](#). TM-4000™ Universal Press [63801-7600](#) . One of the three above press part numbers are required for the tape crimp module to function. . . ATP-201™ and ATP-301™ die sets are used in the Taped Terminal Crimp Module.