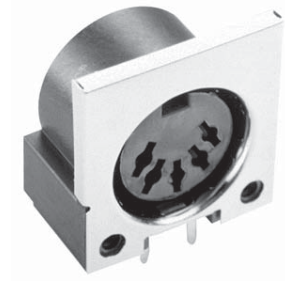
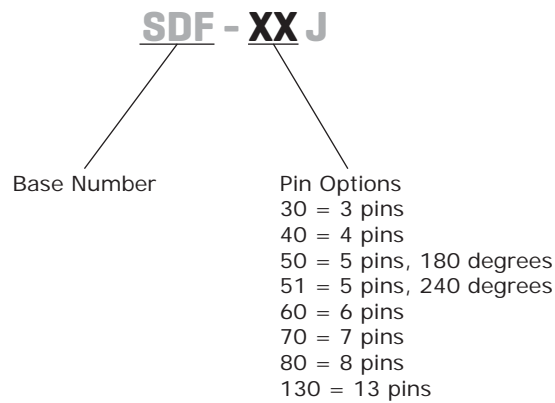


SERIES: SDF-XXJ | **DESCRIPTION:** STANDARD DIN CONNECTOR

FEATURES

- PCB mount
- front shielded
- right angle


PART NUMBER KEY

SPECIFICATIONS

parameter	conditions/description	min	typ	max	units
rated input voltage	all models		100		Vac
	130 model		12		Vdc
	all other models		24		Vdc
rated input current	130 model, at 100 Vac			1	A
	all other models, at 100 Vac			2	A
	130 model, at 12 Vdc			2	A
	all other models, at 24 Vdc			1	A
contact resistance				20	mΩ
insulation resistance	at 500 Vdc	100			MΩ
voltage withstand	for 1 minute			500	Vac
insertion force	80 model			6.5	kg
	130 model			3	kg
	all other models			5	kg
withdrawl force	40 model	0.6		3	kg
	80 model	1		5	kg
	130 model	0.5		2	kg
	all other models	1		3.5	kg
operating temperature		-40		85	°C
life			1,000		cycles

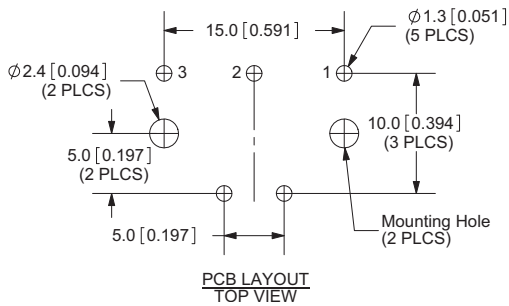
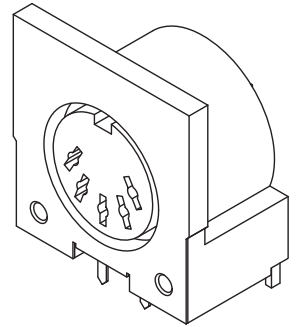
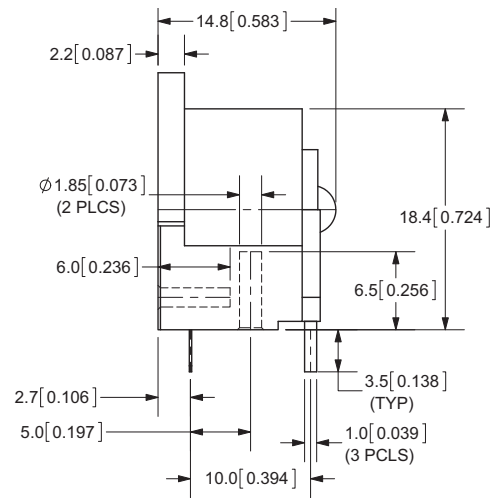
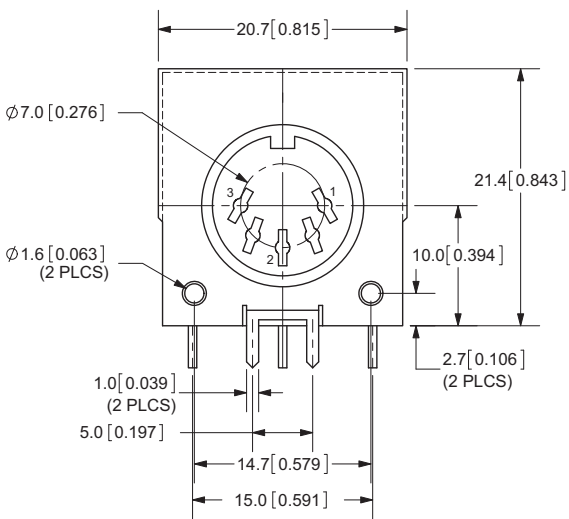
MECHANICAL DRAWINGS

units: mm[inches]

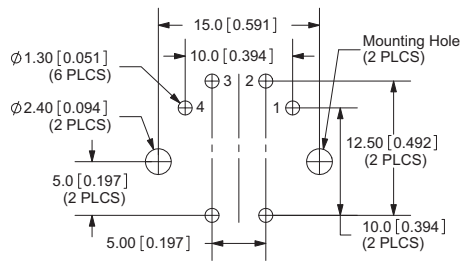
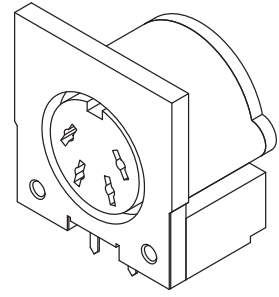
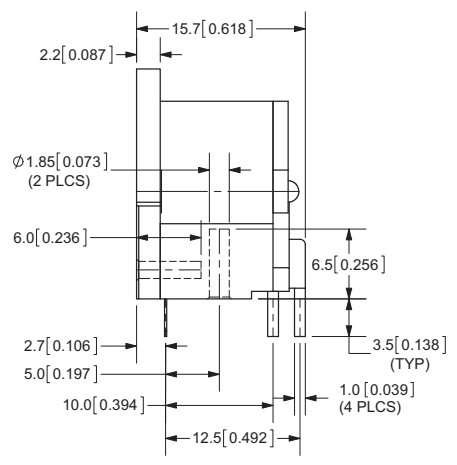
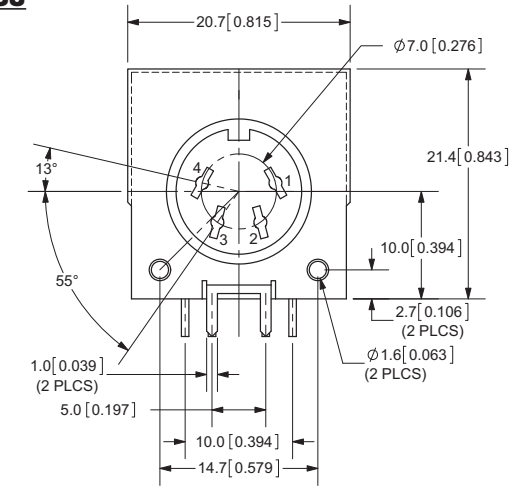
TOLERANCE: ±0.2mm

	MATERIAL	PLATING
shield terminal (30-80)	brass	nickel
shield terminal (130)	phosphor bronze	tin
contact terminals (30-80)	brass	tin
contact terminals (130)	phosphor bronze	silver
plate (30-60)	bakelite	
plate (70, 80, 130)	N/A	
plastic	PBT	

SDF-30J

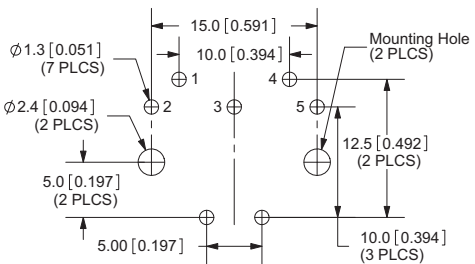
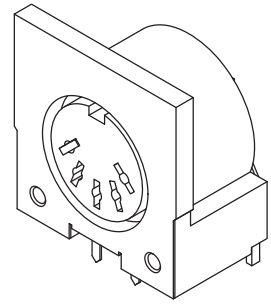
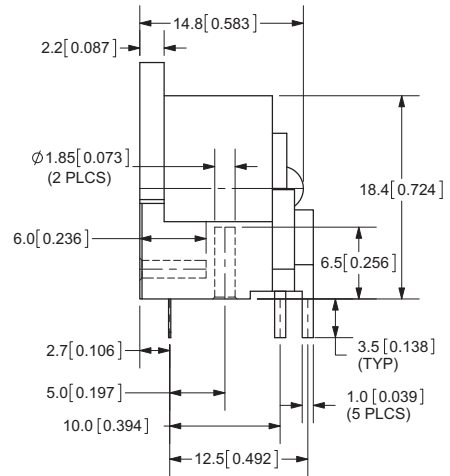
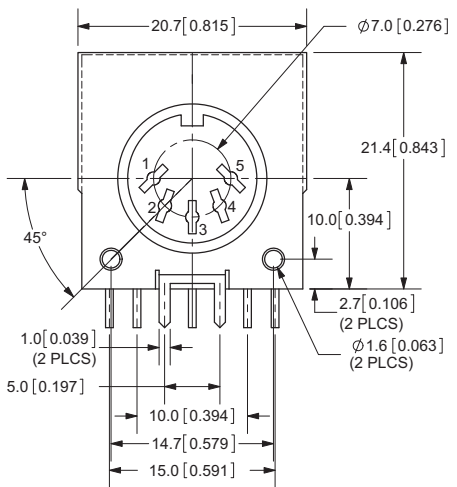


SDF-40J



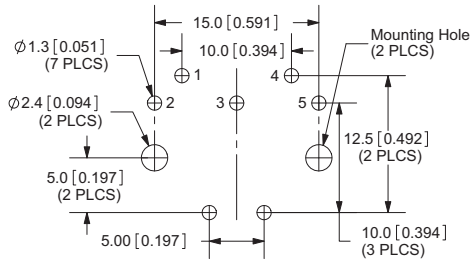
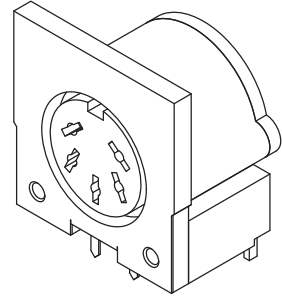
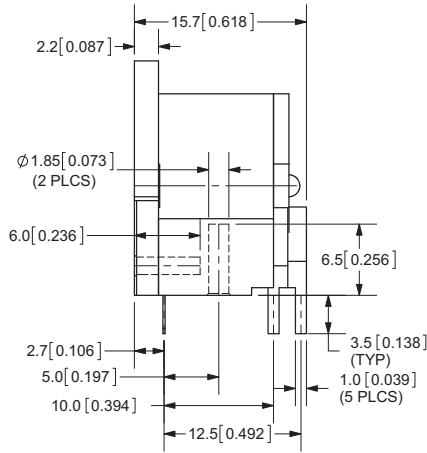
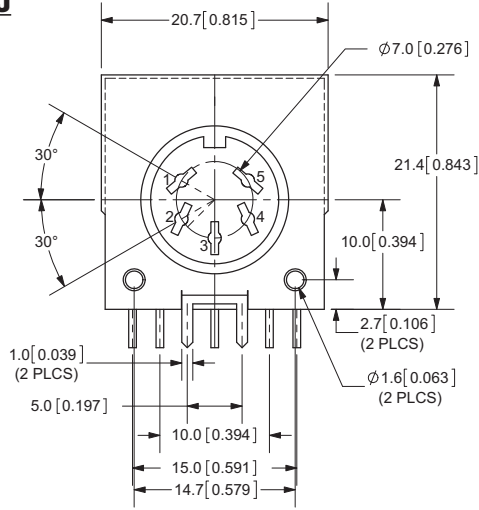
PCB LAYOUT TOP VIEW

SDF-50J



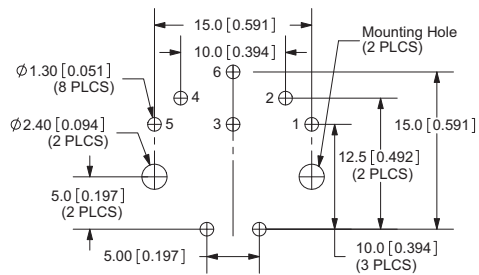
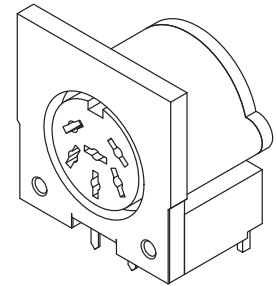
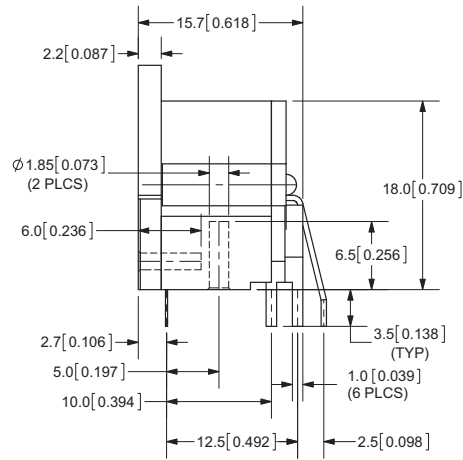
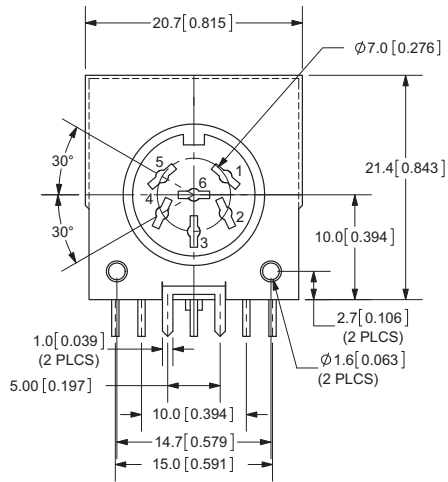
PCB LAYOUT TOP VIEW

SDF-51J



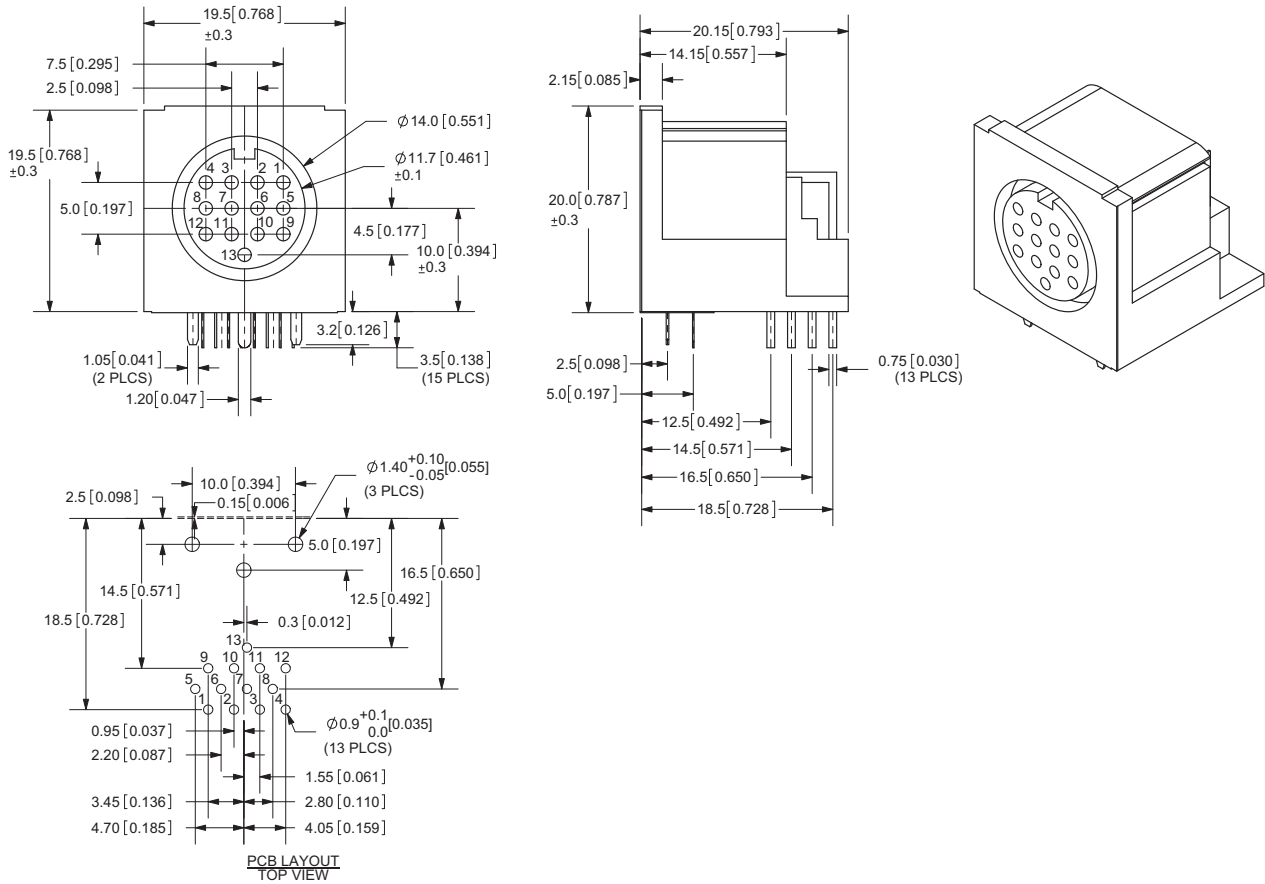
PCB LAYOUT
TOP VIEW

SDF-60J



PCB LAYOUT
TOP VIEW

SDF-130J



REVISION HISTORY

rev.	description	date
1.0	initial release	02/23/2006
1.01	new template applied	04/02/2012
1.02	updated housings	04/05/2012

The revision history provided is for informational purposes only and is believed to be accurate.



Headquarters
 20050 SW 112th Ave.
 Tualatin, OR 97062
800.275.4899

Fax 503.612.2383
cui.com
 techsupport@cui.com

CUI offers a one (1) year limited warranty. Complete warranty information is listed on our website.

CUI reserves the right to make changes to the product at any time without notice. Information provided by CUI is believed to be accurate and reliable. However, no responsibility is assumed by CUI for its use, nor for any infringements of patents or other rights of third parties which may result from its use.

CUI products are not authorized or warranted for use as critical components in equipment that requires an extremely high level of reliability. A critical component is any component of a life support device or system whose failure to perform can be reasonably expected to cause the failure of the life support device or system, or to affect its safety or effectiveness.