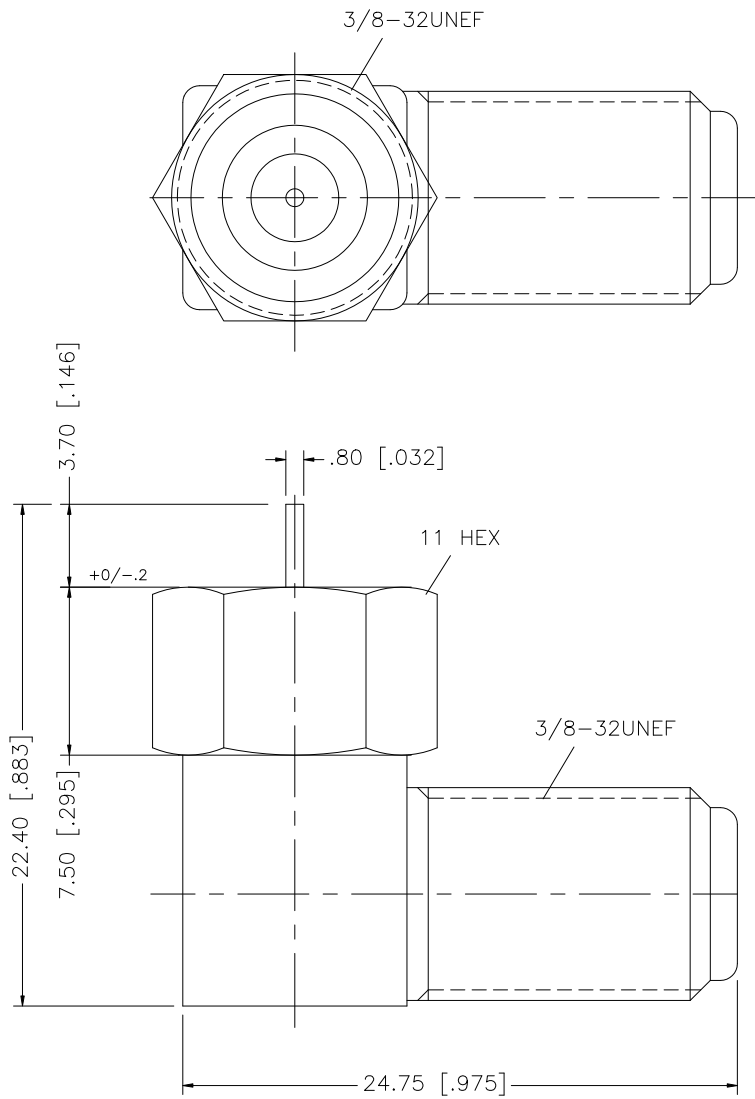


REV.	DATE	DESCRIPTION
NC	11/30/04	INITIAL RELEASE
A	10/30/07	REVISE BODY MATERIAL TO ZINC DIE CAST
		ADD COUPLING NUT TO PART TABLE



8				
7				
6				
5	COUPLING NUT	BRASS	NICKEL	1
4	MALE CONTACT PIN	BRASS	NICKEL	1
3	FEMALE CONTACT PIN	PHOS. BRONZE	BRT. TIN	1
2	DIELECTRIC	DELRIN/P.P.	NATURAL	1
1	BODY	ZINC DIE CAST	NICKEL	1
	DESCRIPTION	MATERIAL	FINISH	QTY

UNLESS OTHERWISE SPECIFIED DIMENSIONS ARE IN MILLIMETERS. DIMENSIONS IN [] ARE IN INCHES AND FOR CUSTOMER REFERENCE ONLY.

UNLESS OTHERWISE SPECIFIED TOLERANCES FOR MILLIMETERS ARE:
0.5 - 8mm ± 0.20mm
8 - 30mm ± 0.40mm
30 - 120mm ± 0.50mm

UNLESS OTHERWISE SPECIFIED TOLERANCES FOR INCHES ARE:
.020 - .315 = ± 0.007"
.315 - 1.180 = ± 0.015"
1.180 - 4.724 = ± 0.020"

DO NOT SCALE DRAWING

APPROVALS	DATE
DRAWN G.R.S.	10/30/07
CHECKED	
ISSUED	
SHEET 1 OF 1	
CAD FILE	C:/222/222F-90.DWG

Amphenol Connex			
PART DESCRIPTION F MALE TO FEMALE R/A ADAPTER			
PART NO. 222F-90			
DWG. NO.	222F-90.DWG	REV. A	SCALE NA