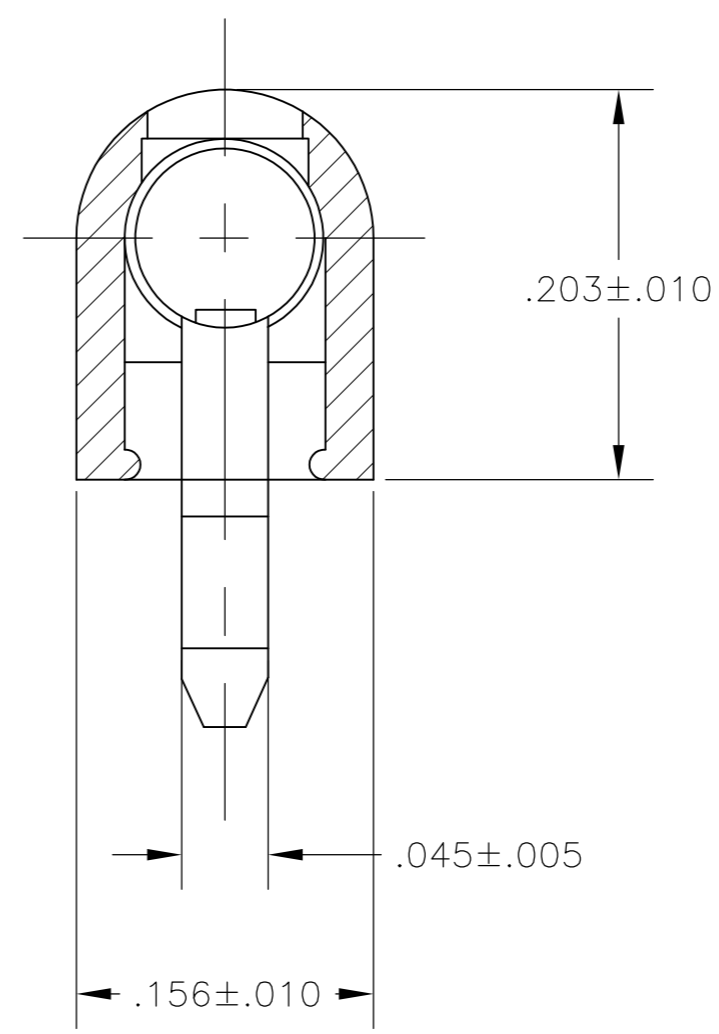
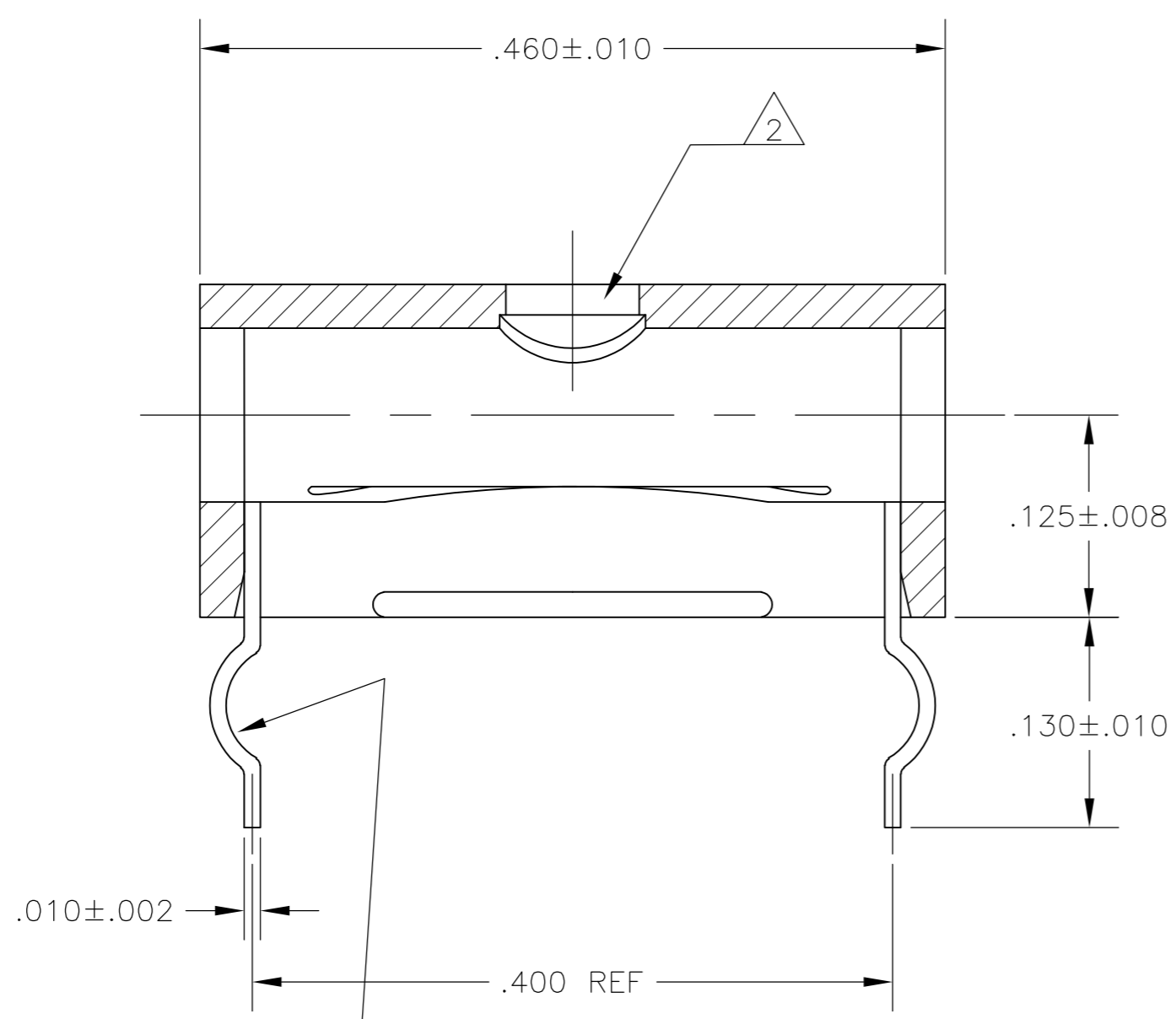


THIS DRAWING IS UNPUBLISHED. RELEASED FOR PUBLICATION  
 © COPYRIGHT - By - ALL RIGHTS RESERVED.

LOC	DIST	REVISIONS					
AD	00	P	LTR	DESCRIPTION	DATE	DWN	APVD
		A		RELEASED	17JUN13	W.W	C.W



- 1 INSULATION: NYLON COLOURED AS SHOWN  
CONTACT: BERY. CU, NICKEL & GOLD PLATED.
- 2 G1 THRU G11 SUPPLIED WITHOUT "TOP-ENTRY" HOLE  
G1-1 THRU G11-1 SUPPLIED WITH "TOP-ENTRY" HOLE.

SLIGHT 'DAP' FOR RETENTION  
IN .050 DIA MOUNTING HOLE

8041-1G6=TEST JACK ASSY	1-1437502-8
8041-1G4-1=TEST JACK ASSY	1-1437502-6
DESCRIPTION	TE P/N

THIS DRAWING IS A CONTROLLED DOCUMENT.		DWN	17JUN2013		
DIMENSIONS: INCHES		W.WANG	17JUN2013		
TOLERANCES UNLESS OTHERWISE SPECIFIED:		S.LI	17JUN2013		
0 PLC ± - 1 PLC ± - 2 PLC ± - 3 PLC ± .005 4 PLC ± - ANGLES ± 1°		C.WANG	17JUN2013		
MATERIAL		APVD	17JUN2013	NAME	
FINISH		PRODUCT SPEC		TEST JACK ASSY	
		APPLICATION SPEC		SIZE	CAGE CODE
		WEIGHT	-	A2	00779
		CUSTOMER DRAWING		DRAWING NO	1-1437502-8
		SCALE	10:1	SHEET	1 of 1
		REV	A	RESTRICTED TO	

1-1437502-8