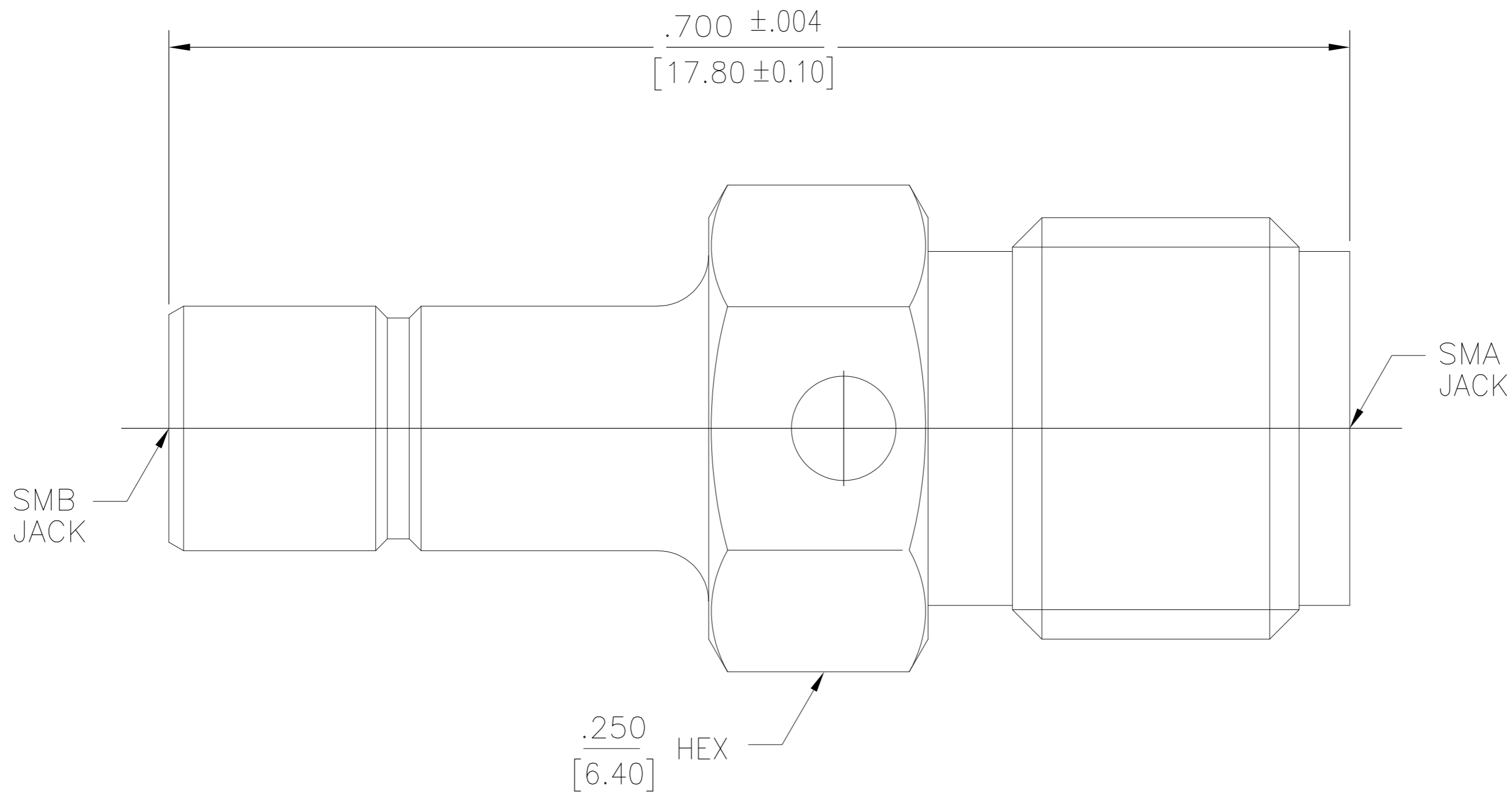


THIS DRAWING IS UNPUBLISHED. RELEASED FOR PUBLICATION  
 © COPYRIGHT BY TYCO ELECTRONICS CORPORATION. ALL RIGHTS RESERVED.

LOC		DIST		REVISIONS					
AJ		00		P	LTR	DESCRIPTION	DATE	DWN	APVD
				B		REV PER ECO 07-027477	12DEC2007	DW	JL



1060487-1  
 PART NUMBER

HOUSING	STAINLESS STEEL PER ASTM-A484 AND ASTM-A582, TYPE 303	GOLD PLATE PER MIL-G-45204
DIELECTRIC	PTFE FLUOROCARBON PER ASTM-D-1457	N/A
CENTER CONTACT	BERYLLIUM COPPER PER ASTM-B-196 OR ASTM-B-197, ALLOY C17300, CONDITION H	GOLD PLATE PER MIL-G-45204
COMPONENT	MATERIAL	FINISH

NOTES:  
 1. CAPTURED CENTER CONTACT.

THIS DRAWING IS A CONTROLLED DOCUMENT.		DWN	4-20-77	Tyco Electronics Corporation Harrisburg, PA 17105-3608	
DIMENSIONS: INCHES		DRW	4-25-77		
TOLERANCES UNLESS OTHERWISE SPECIFIED:		CHK	KWW		
0 PLC ± - 1 PLC ± - 2 PLC ± - 3 PLC ± .005 [0.13] 4 PLC ± - ANGLES ± 1°		APVD	RMF		4/25/77
MATERIAL	FINISH	PRODUCT SPEC	APPLICATION SPEC	NAME	
-	-	-	-	SMA JACK TO SMB JACK ADAPTER (5180-2240-00)	
WEIGHT		SIZE	CAGE CODE	DRAWING NO	RESTRICTED TO
-		A2	00779	C=1060487-1	-
CUSTOMER DRAWING		SCALE	SHEET	REV	
		1:1	1 of 1	B	