

**PLEASE CHECK WWW.MOLEX.COM FOR LATEST PART INFORMATION**

**Part Number:** [0751948501](#)  
**Status:** **Active**  
**Description:** VHDM BP 6R 25 COL OPEN 4.75 PINS Pb FREE

**Documents:**

<a href="#">Drawing (PDF)</a>	<a href="#">Packaging Specification PK-74057-003 (PDF)</a>
<a href="#">Product Specification PS-74031-999 (PDF)</a>	<a href="#">RoHS Certificate of Compliance (PDF)</a>

**General**

Product Family	Backplane Connectors
Series	<a href="#">75194</a>
UPC	822350313278

**Physical**

Net Weight	6.085/g
------------	---------

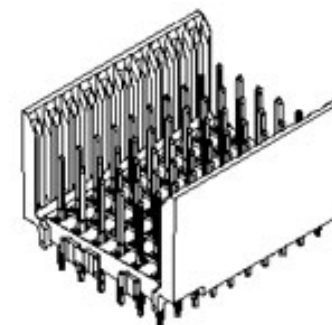
**Solder Process Data**

Lead-freeProcess Capability	N/A
-----------------------------	-----

**Material Info**

**Reference - Drawing Numbers**

Packaging Specification	PK-74057-003
Product Specification	PS-74031-999
Sales Drawing	SD-75194-001



*Series image - Reference only*

**EU ELV**

**Not Relevant**

**EU RoHS**

**Compliant**

**REACH SVHC**

Not Contained Per  
-ED/79/2015 (17  
December 2015)

**Halogen-Free**

**Status**

**Low-Halogen**

**Need more information on product environmental compliance?**

Email [productcompliance@molex.com](mailto:productcompliance@molex.com)  
Please visit the [Contact Us](#) section for any non-product compliance questions.

China ROHS  
ELV

Green Image  
Not Relevant

**Search Parts in this Series**

[75194 Series](#)

**Application Tooling | [FAQ](#)**

*Tooling specifications and manuals are found by selecting the products below. Crimp Height Specifications are then contained in the Application Tooling Specification document.*

**Global**

Description	Product #
Signal Pin Inserter Repair Tool	<a href="#">0622015700</a>
Insertion Module for Standard Shield Signal Header, 6-Row by 25-Wide, 50.00mm	<a href="#">0622020208</a>

**PLEASE CHECK [WWW.MOLEX.COM](http://WWW.MOLEX.COM) FOR LATEST PART INFORMATION**