

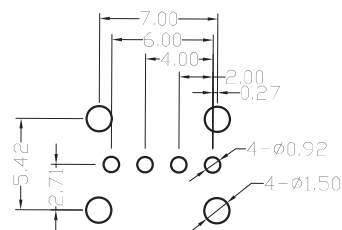
1

2

3

4

5



PCB LAYOUT - COMPONENT VIEW

## TECHNICAL CHARACTERISTICS

MATERIAL  
 INSULATOR: PBT  
 FLAMMABILITY RATING: UL94-V0  
 COLOR: BLACK  
 CONTACT MATERIAL: COPPER ALLOY  
 CONTACT TYPE: STAMPED  
 CONTACT PLATING: SELECTIVE GOLD  
 SHIELDING: BRASS Ni PLATED  
 QUALITY CLASS: 1500 MATING CYCLES

ENVIRONMENTAL  
 OPERATING TEMPERATURE: -40°C UP TO +105°C  
 COMPLIANCE: LEAD FREE AND ROHS

ELECTRICAL  
 CURRENT RATING: 1.5 A MAX  
 WORKING VOLTAGE: 30 V  
 INSULATOR RESISTANCE: >1000 MΩ  
 DIELECTRIC WITHSTANDING VOLTAGE: 750 VAC/MIN  
 CONTACT RESISTANCE: 20 mΩ MAX

SOLDERING  
 JEDEC LEAD FREE WAVE SOLDERING

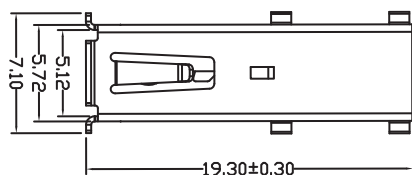
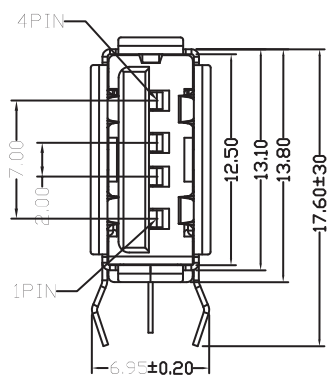
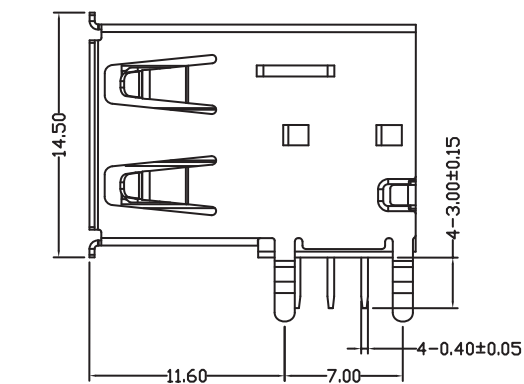
PACKAGING  
 TRAY

A

B

C

D



19.30±0.30

RoHS Compliant

PROJECTION:



GENERAL TOLERANCE

.X =  $\pm 0.2$ .XX =  $\pm 0.15$ 

APPROVAL: NPr

UNIT: MM

DESCRIPTION: USB 2.0 TYPE A UP RIGHT

SIZE

SCALE:

SHEET: 1/1

WERI PART NO: 614 004 134 726 1

**A4**

REV

DATE

FILE

BY

DRAW: QL

B

27-OCT-14

REVIEW

QL

A

02-01-14

DRAWING

QP