

RED INDICATES ORIGINAL

DATA CONTAINED IN THIS DOCUMENT IS PROPRIETARY TO TROMPETER ELECTRONICS, INC. AND SHALL NOT BE DISCLOSED, COPIED OR USED FOR REPRODUCTION OR MANUFACTURE WITHOUT EXPRESS WRITTEN PERMISSION.

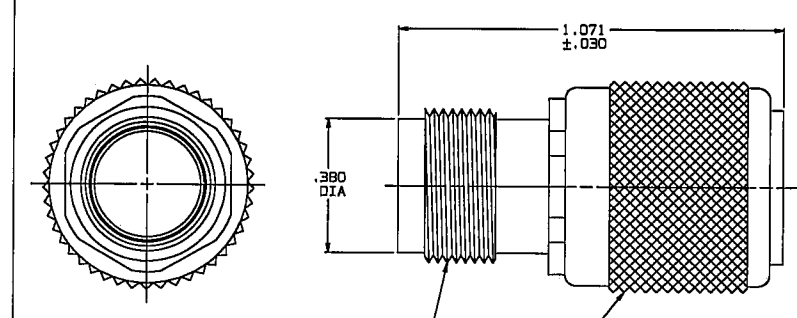
REV		EQ	DESCRIPTION	DWN	APPROVED	DATE
D	12435		ADDED VIEW "SST ROPE & D LUG ASSY", -15 THRU -17 & DD8, NOTE A; SEE ECD	DKC	<i>M.M.</i>	7/24/98

REVISIONS 105-1027 SH 1

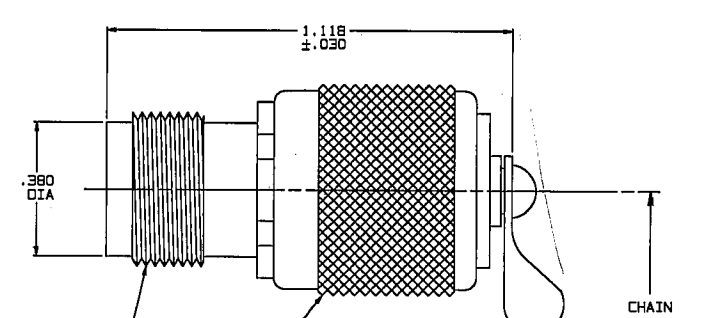
DASH NO	DESCRIPTION
-1	CAP (NO CHAIN)
-2	CAP WITH 2.50 BRASS CHAIN
-3	CAP WITH 2.50 NYLON CHAIN
-4	CAP WITH 3.00 BRASS CHAIN
-5	CAP WITH 3.00 NYLON CHAIN
-6	CAP WITH 6.00 BRASS CHAIN
-7	CAP WITH 6.00 NYLON CHAIN
-8	CAP WITH 4.00 BRASS CHAIN
-9	CAP WITH 4.00 NYLON CHAIN
-10	CAP WITH 10.00 BRASS CHAIN
-11	CAP WITH 10.00 NYLON CHAIN
-12	CAP WITH 2.50 JACKETED STAINLESS STEEL ROPE
-13	CAP WITH 3.00 JACKETED STAINLESS STEEL ROPE
-14	CAP WITH 6.00 JACKETED STAINLESS STEEL ROPE
-15	CAP WITH 4.00 JACKETED STAINLESS STEEL ROPE
-16	CAP WITH 7.00 JACKETED STAINLESS STEEL ROPE
-17	CAP WITH 4.50 JACKETED STAINLESS STEEL ROPE

MODEL NO	LTR CODE
RF141	
RF1377	A

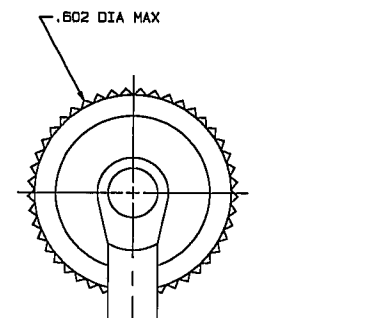
DASH NO	"A" DIA	"B" DIA	"C" DIM	"D" DIA	INCH	MM	INCH	MM	INCH	MM	INCH	MM	INCH	MM
-02	.630	.750	1.068	.450	.010	0.25	.290	7.37	.437	11.10	.625	15.88	1.003	25.48
-03	.505	.625	.941	.388	.030	0.76	.317	8.05	.450	11.43	.687	17.45	1.071	27.20
-04	.439	.562	.878	.355	.032	0.81	.325	8.38	.500	12.70	.722	18.34	1.118	28.40
-05	.380	.500	.816	.325	.140	3.56	.330	8.83	.505	12.83	.750	19.05	2.5	63.50
-06	.317	.437	.753	.295	.200	5.08	.355	9.14	.56	14.22	.753	19.13	3.00	76.20
-07	.281	.406	.722	.278	.25	6.35	.380	9.65	.562	14.27	.816	20.73	4.00	101.60
-08	.610	.750	1.068	.450	.278	7.11	.388	9.81	.567	14.40	.878	22.30	4.50	114.30
-09	.567	.687	1.003	.419	.281	7.14	.406	10.31	.602	15.29	.925	23.50	6.00	152.40
-DD8	.330	.450	.925	.300	.295	7.67	.419	10.67	.610	15.49	.941	23.90	7.00	177.80



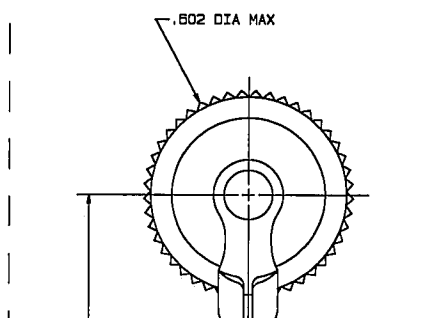
-1 SHOWN
NO CHAIN/ROPE OR MOUNTING LUG



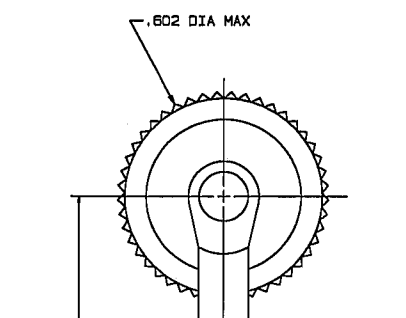
-2 THRU -11 SHOWN
STANDARD CHAIN AND MOUNTING LUG



-12-THRU
-17-SHOWN
STAINLESS STEEL ROPE AND BASIC MOUNTING LUG



-2-D2 THRU
-11-DD8 SHOWN
STANDARD CHAIN AND BULKHEAD JACK MOUNTING LUG



-12-D2 THRU
-17-DD8 SHOWN
SST ROPE AND BULKHEAD JACK MOUNTING LUG

NOTE THAT CHAIN LENGTH FOR SST ROPE WITH MOUNTING LUG OPTION IS NOT MEASURED TO CENTER OF BULKHEAD MOUNTING LUG

4. EXAMPLE OF COMPLETE MODEL NO:
RF141 - 1 - 02
BASIC MODEL NO: RF141 (SEE TABLE 2)
BULKHEAD JACK MOUNTING LUG (OPTIONAL) ONLY AVAILABLE WITH BRASS, NYLON CHAIN OR SST ROPE (SEE TABLE 3)
CHAIN/ROPE MATERIAL & LENGTH (SEE TABLE 1)

3. THREADED TNC/TRT STYLE DUST CAP WITH CHAIN/ROPE OR MOUNTING LUG OPTIONS.

2. FINISH: TFS-1A (NICKEL)

1. ALL DIMENSIONS ARE IN INCHES

QTY	DESCRIPTION	PART NUMBER	ITEM
TOL UNLESS SPECIFIED .XX ±.03 .XXX ±.005 ANGLES	TROMPETER ELECTRONICS, INC.	RF141/RF1377	
DWN DKC 6-9-98	MATERIAL	CODE IDENT	DRAWING NO.
CHK WJ 6-2-98		14949	105-1027
ENGR			REV D
APPR [Signature]	SCALE 4/1	DATE 10-2-80	SHEET 1 OF 2