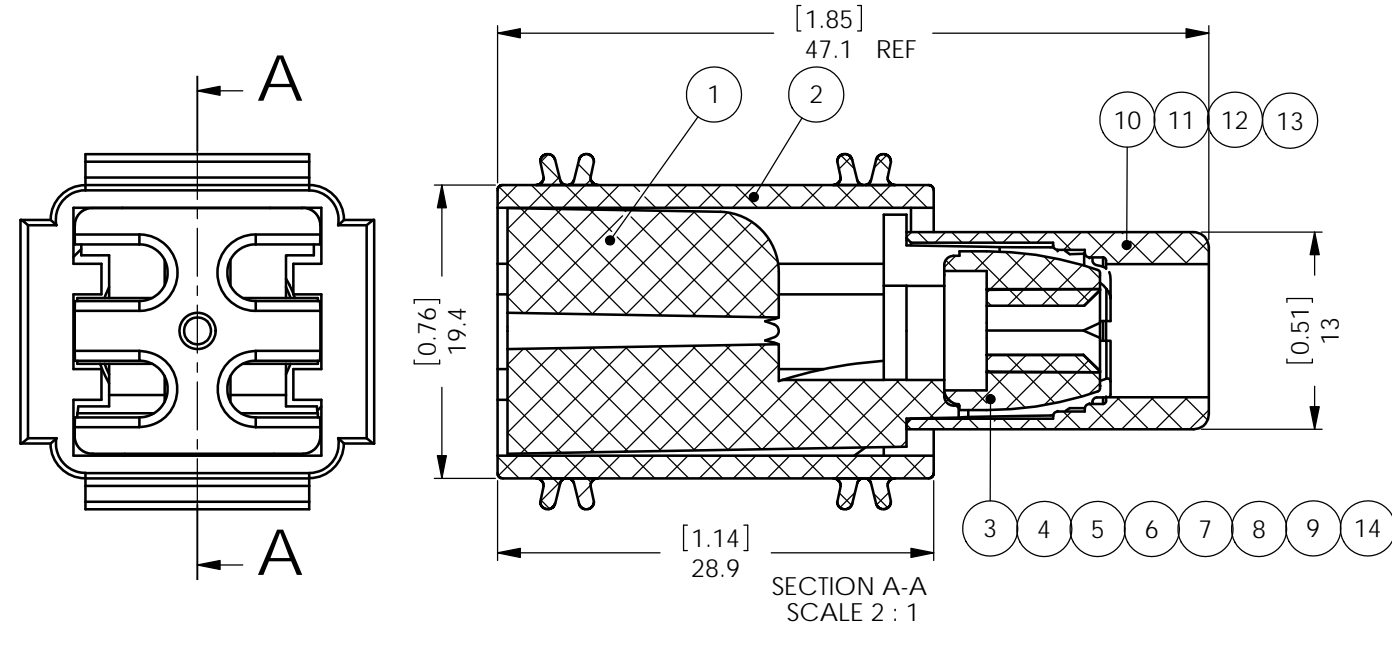


REV.	MODIFICATION.	DATE	DRN
01	NEW DRAWING	13/07/09	OW
02	CO-2010754	30/07/09	OW
03	CO-2011258	11/05/12	SF

ITEM No.	DWG No.	DESCRIPTION	QUANTITY OF EACH ITEM REQUIRED FOR ASSEMBLY LISTED									
			OFM-C-1-05-19BK	OFM-C-2-05-19BK	OFM-C-3-05-19BK	OFM-C-4-05-19BK	OFM-C-5-05-19BK	OFM-C-6-05-19BK	OFM-C-7-05-19BK	OFM-4-05-19BLK	OFM-T-05-19BLK	OFM-T-635-19BLK
1	X14226	BODY	1	1	1	1	1	1	1	1	1	1
2	X14227	COVER	1	1	1	1	1	1	1	1	1	1
3	X14239 BLACK	KEVLAR ANCHOR ADAPTER - Ø3.0 (BLACK)	1	-	-	-	-	-	-	1	-	-
4	X14239 BLUE	KEVLAR ANCHOR ADAPTER - Ø3.5 (BLUE)	-	1	-	-	-	-	-	1	-	-
5	X14239 BROWN	KEVLAR ANCHOR ADAPTER - Ø4.5 (BROWN)	-	-	1	-	-	-	-	1	-	-
6	X14239 GREEN	KEVLAR ANCHOR ADAPTER - Ø5.5 (GREEN)	-	-	-	1	-	-	-	1	-	-
7	X14239 RED	KEVLAR ANCHOR ADAPTER - Ø6.5 (RED)	-	-	-	-	1	-	-	1	-	-
8	X14229	SPLIT ADAPTER Ø5 FBLT (BLACK)	-	-	-	-	-	-	-	2	2	-
9	X14291	SPLIT ADAPTER Ø6.35 FBLT (BLUE)	-	-	-	-	-	-	-	2	-	2
10	X08205	CABLE ANCHOR RETAINING RING - Ø3.5	1	-	-	-	-	-	-	1	-	-
11	X08204	CABLE ANCHOR RETAINING RING - Ø5.8	-	1	1	-	-	-	-	1	1	-
12	X08202	CABLE ANCHOR RETAINING RING - Ø8.8	-	-	-	1	1	1	1	1	-	1
13	X08206	CABLE ANCHOR RETAINING RING - Ø10.8	-	-	-	-	-	-	1	1	-	-
14	X14254	SYNTHETIC RUBBER ADAPTOR	-	-	-	-	-	1	1	1	-	-
15	X14151	GRP CRIMP RING - Ø2.5	OPTIONAL EXTRA	OPTIONAL EXTRA	OPTIONAL EXTRA	OPTIONAL EXTRA	OPTIONAL EXTRA	OPTIONAL EXTRA	OPTIONAL EXTRA	OPTIONAL EXTRA	OPTIONAL EXTRA	OPTIONAL EXTRA
16	X14151	GRP CRIMP RING - Ø3.0	OPTIONAL EXTRA	OPTIONAL EXTRA	OPTIONAL EXTRA	OPTIONAL EXTRA	OPTIONAL EXTRA	OPTIONAL EXTRA	OPTIONAL EXTRA	OPTIONAL EXTRA	OPTIONAL EXTRA	OPTIONAL EXTRA
		FBLT Ø	Ø5MM	Ø5MM	Ø5MM	Ø5MM	Ø5MM	Ø5MM	Ø5MM	Ø5MM	Ø5MM	Ø5MM
		CABLE ANCHOR MAX.	3.5	4.0	5.0	6.0	7.0	8.5	10.8	10.8	Ø5.0 FBLT	Ø6.35 FBLT
		CABLE ANCHOR MIN.	2.5	3.0	4.1	5.1	6.1	7.0	8.5	2.5		



ALTERNATE UNITS FOR REFERENCE ONLY

INFORMATION CONTAINED IN THIS DOCUMENT IS CONFIDENTIAL TO RICHCO INTERNATIONAL Co. Ltd. AND MAY NOT BE DISCLOSED OR REPRODUCED IN WHOLE OR PART WITHOUT THEIR WRITTEN CONSENT.

**RICHCO, INC.**  
WWW.RICHCO-INC.COM

ALL DIMENSIONS IN mm  
GENERAL TOLERANCES ±0.25  
UNLESS OTHERWISE STATED  
1 DECIMAL PLACE ±  
2 DECIMAL PLACES ±  
ANGULAR ±1°

THIRD ANGLE

MATERIAL: NYLON 6/6 FR UL94 V-0 (RMS-19) COLOUR: BLACK

DESCRIPTION: 1 TO 4 MANIFOLD FBLT TO FBLT CABLE ASSEMBLIES PART No: SEE TABLE

DRG No: 09-021 NPR No: N/A SHEET SIZE A4

DRN OW DATE 09/07/09 CHKD TC DATE 13/07/09 SCALE NTS SHEET No. 1 OF 1