

TI *PanelBus*™ DIGITAL RECEIVER

 Check for Samples: [TFP401A-Q1](#)

FEATURES

- Qualified for Automotive Applications
- AEC-Q100 Qualified With the Following Results:
 - Device Temperature Grade 3: –40°C to 85°C Ambient Operating Temperature Range
 - Device HBM ESD Classification Level H2
 - Device HBM ESD Classification Level C3B
- Supports Pixel Rates Up to 165 MHz (Including 1080p and WUXGA at 60 Hz)
- Digital Visual Interface (DVI) Specification Compliant ⁽¹⁾
- True-Color, 24-Bit/Pixel, 16.7M Colors at 1 or 2 Pixels per Clock

(1) The Digital Visual Interface Specification, DVI, is an industry standard developed by the Digital Display Working Group (DDWG) for high-speed digital connection to digital displays. The TFP401A-Q1 is compliant with the DVI Specification Rev. 1.0.

- Laser Trimmed Internal Termination Resistors for Optimum Fixed Impedance Matching
- Skew Tolerant Up to One Pixel-Clock Cycle
- 4× Oversampling
- Reduced Power Consumption – 1.8-V Core Operation With 3.3-V I/Os and Supplies ⁽²⁾
- Reduced Ground Bounce Using Time-Staggered Pixel Outputs
- Low Noise and Good Power Dissipation Using TI PowerPAD™ Packaging
- Advanced Technology Using TI 0.18-μm EPIC-5™ CMOS Process
- TFP401A-Q1 Incorporates HSYNC Jitter Immunity ⁽³⁾

(2) The TFP401A-Q1 has an internal voltage regulator that provides the 1.8-V core power supply from the external 3.3-V supplies.

(3) The TFP401A-Q1 incorporates additional circuitry to create a stable HSYNC from DVI transmitters that introduce undesirable jitter on the transmitted HSYNC signal.

DESCRIPTION

The Texas Instruments TFP401A-Q1 is a TI *PanelBus*™ flat-panel display product, and is part of a comprehensive family of end-to-end DVI 1.0-compliant solutions. Targeted primarily at desktop LCD monitors and digital projectors, the TFP401A-Q1 device finds applications in any design requiring high-speed digital interface.

The TFP401A-Q1 device supports display resolutions up to 1080p and WUXGA in 24-bit true-color pixel format. It also offers design flexibility to drive one or two pixels per clock, supports TFT or DSTN panels, and provides an option for time-staggered pixel outputs for reduced ground bounce.

PowerPAD advanced packaging technology results in best-of-class power dissipation, footprint, and ultralow ground inductance.

The TFP401A-Q1 combines *PanelBus* circuit innovation with TI's advanced 0.18-μm EPIC-5™ CMOS process technology, along with TI PowerPAD package technology to achieve a reliable, low-powered, low-noise, high-speed digital interface solution.

ORDERING INFORMATION⁽¹⁾

T _A	ORDERABLE PART NUMBER ⁽²⁾	TOP-SIDE MARKING
–40°C to 85°C	TFP401AIPZPRQ1	TFP401AI

(1) For the most current package and ordering information, see the Package option Addendum at the end of this document, or see the TI web site at www.ti.com

(2) Package drawings, thermal data, and symbolization are available at www.ti.com/packaging.



Please be aware that an important notice concerning availability, standard warranty, and use in critical applications of Texas Instruments semiconductor products and disclaimers thereto appears at the end of this data sheet.

PanelBus, PowerPAD, EPIC-5 are trademarks of Texas Instruments.

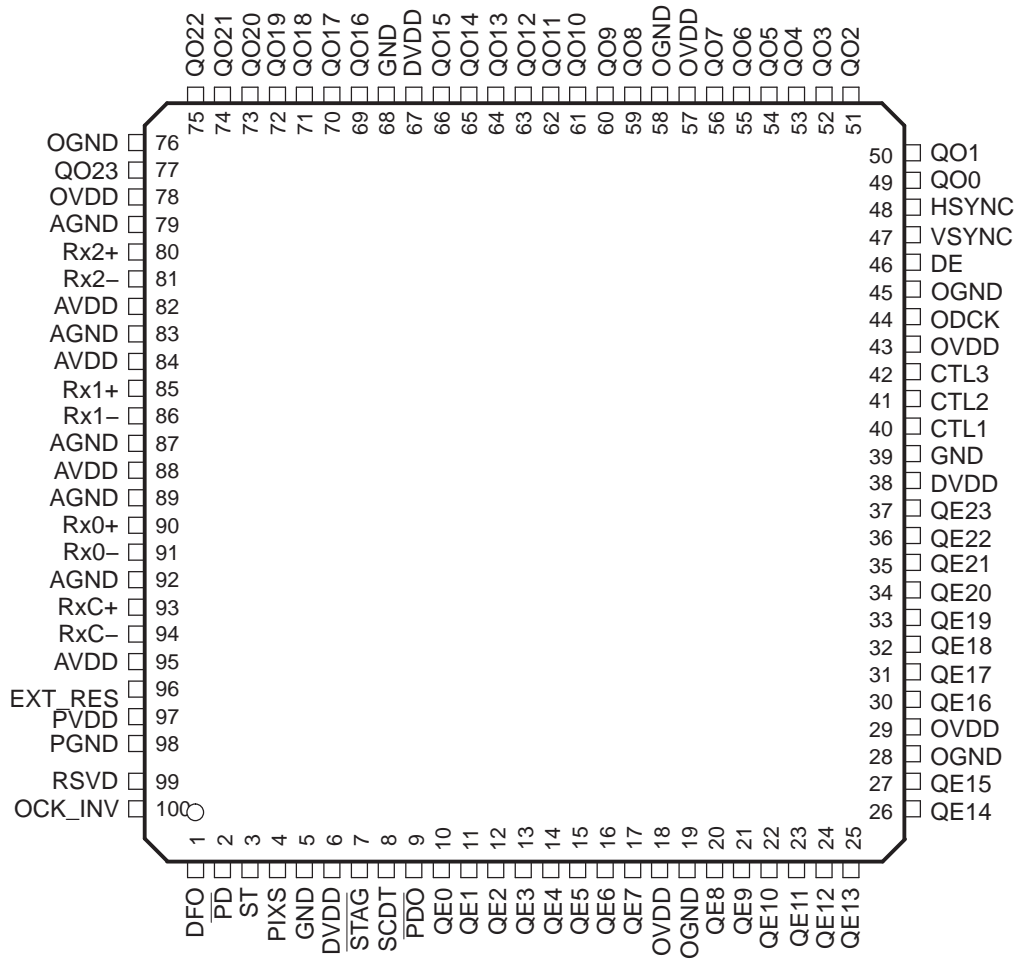
All other trademarks are the property of their respective owners.

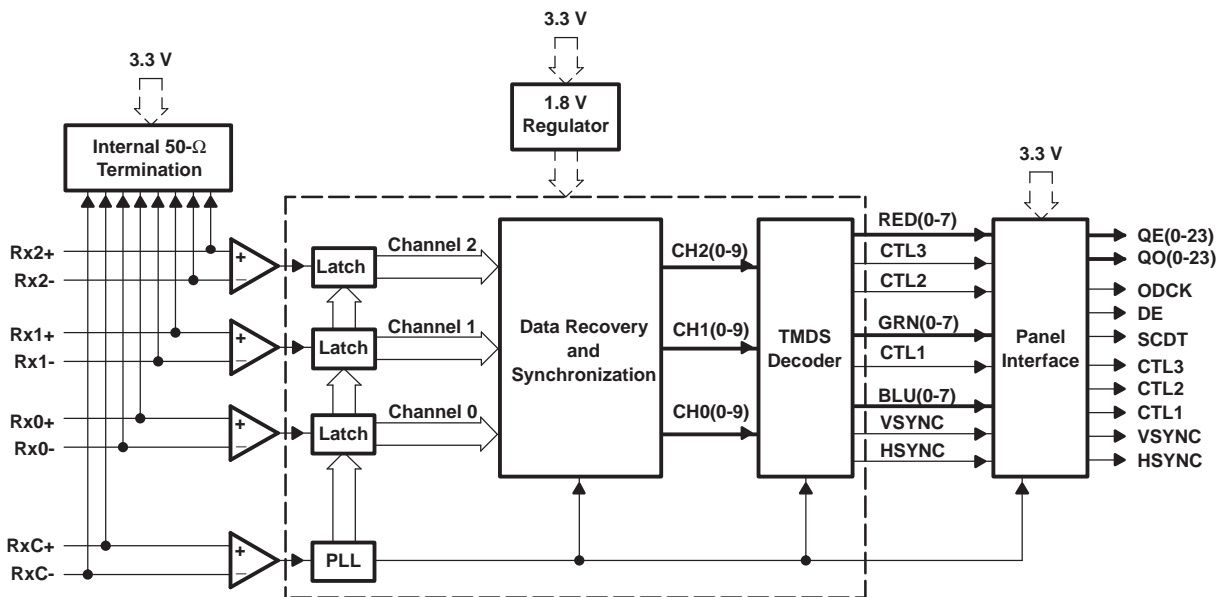
TFP401A-Q1

SLDS190 – NOVEMBER 2012

www.ti.com

**100-PIN PACKAGE
(TOP VIEW)**



FUNCTIONAL BLOCK DIAGRAM

PIN FUNCTIONS

PIN		I/O	DESCRIPTION
NAME	NO.		
AGND	79, 83, 87, 89, 92	GND	Analog ground – Ground reference and current return for analog circuitry
AV _{DD}	82, 84, 88, 95	V _{DD}	Analog V _{DD} – Power supply for analog circuitry. Nominally 3.3 V
CTL[3:1]	42, 41, 40	DO	General-purpose control signals – Used for user-defined control. CTL1 is not powered down through PDO.
DE	46	DO	Output data enable – Used to indicate time of active video display versus non-active display or blank time. During blank, device transmits only HSYNC, VSYNC, and CTL[3:1]. During times of active display, or non-blank, device transmits only pixel data, QE[23:0], and QO[23:0]. High: Active display time Low: Blank time
DFO	1	DI	Output clock data format – Controls the output clock (ODCK) format for either TFT or DSTN panel support. For TFT support, the ODCK clock runs continuously. For DSTN support, ODCK only clocks when DE is high; otherwise, ODCK remains low when DE is low. High: DSTN support/ODCK held low when DE = low Low: TFT support/ODCK runs continuously.
DGND	5, 39, 68	GND	Digital ground – Ground reference and current return for digital core
DV _{DD}	6, 38, 67	V _{DD}	Digital V _{DD} – Power supply for digital core. Nominally 3.3 V
EXT_RES	96	AI	Internal impedance matching – The TFP401A-Q1 has internal optimization for impedance matching at 50 Ω. An external resistor tied to this pin has no effect on device performance.
HSYNC	48	DO	Horizontal sync output
RSVD	99	DI	Reserved. Tie this pin high for normal operation.
OV _{DD}	18, 29, 43, 57, 78	V _{DD}	Output driver V _{DD} – Power supply for output drivers. Nominally 3.3 V
ODCK	44	DO	Output data clock – Pixel clock. The device synchronizes all pixel outputs QE[23:0] and QO[23:0] (if in 2-pixel/clock mode), along with DE, HSYNC, VSYNC and CTL[3:1], to this clock.
OGND	19, 28, 45, 58, 76	GND	Output driver ground – Ground reference and current return for digital output drivers
OCK_INV	100	DI	ODCK polarity – Selects ODCK edge to which pixel data (QE[23:0] and QO[23:0]) and control signals (HSYNC, VSYNC, DE, CTL[3:1]) latch. Normal mode: High: Latches output data on rising ODCK edge Low: Latches output data on falling ODCK edge

PIN FUNCTIONS (continued)

PIN		I/O	DESCRIPTION
NAME	NO.		
$\overline{\text{PD}}$	2	DI	Power down – An active-low signal that controls the TFP401A-Q1 power-down state. During power down, all output buffers switch to a high-impedance state. The device powers down all analog circuits and disables all inputs, except for $\overline{\text{PD}}$. If leaving $\overline{\text{PD}}$ unconnected, an internal pullup defaults the TFP401A-Q1 to normal operation. High : Normal operation Low: Power down
$\overline{\text{PDO}}$	9	DI	Output drive power down – An active-low signal that controls the power-down state of the output drivers. During output drive power down, the output drivers (except SCDT and CTL1) are driven to a high-impedance state. When $\overline{\text{PDO}}$ is left unconnected, an internal pullup defaults the TFP401A-Q1 to normal operation. High: Normal operation; output drivers on Low: Output drive powered down
PGND	98	GND	PLL GND – Ground reference and current return for internal PLL
PIXS	4	DI	Pixel select – Selects between one- and two-pixels-per-clock output modes. During the 2-pixel/clock mode, the device outputs both even pixels, QE[23:0], and odd pixels, QO[23:0], in tandem on a given clock cycle. During 1-pixel/clock, the device outputs even and odd pixels sequentially, one at a time, with the even pixel first, on the even pixel bus, QE[23:0]. (The first pixel per line is pixel-0, the even pixel. The second pixel per line is pixel-1, the odd pixel). High: 2-pixel/clock Low: 1-pixel/clock
PV _{DD}	97	V _{DD}	PLL V _{DD} – Power supply for internal PLL
QE[8:15]	20–27	DO	Even green-pixel output – Output for even and odd green pixels when in 1-pixel/clock mode. Output for even-only green pixel when in 2-pixel/clock mode. Output data synchronizes to the output data clock, ODCK. LSB: QE8/pin 20 MSB: QE15/pin 27
QE[16:23]	30–37	DO	Even red-pixel output – Output for even and odd red pixels when in 1-pixel/clock mode. Output for even-only red pixel when in 2-pixel/clock mode. Output data synchronizes to the output data clock, ODCK. LSB: QE16/pin 30 MSB: QE23/pin 37
QO[0:7]	49–56	DO	Odd blue-pixel output – Output for odd-only blue pixel when in 2-pixel/clock mode. Not used, and held low, when in 1-pixel/clock mode. Output data synchronizes to the output data clock, ODCK. LSB: QO0/pin 49 MSB: QO7/pin 56
QO[8:15]	59–66	DO	Odd green-pixel output – Output for odd-only green pixel when in 2-pixel/clock mode. Not used, and held low, when in 1-pixel/clock mode. Output data synchronizes to the output data clock, ODCK. LSB: QO8/pin 59 MSB: QO15/pin 66
QO[16:23]	69–75, 77	DO	Odd red-pixel output – Output for odd-only red pixel when in 2-pixel/clock mode. Not used, and held low, when in 1-pixel/clock mode. Output data synchronizes to the output data clock, ODCK. LSB: QO16/pin 69 MSB: QO23/pin 77
QE[0:7]	10–17	DO	Even blue-pixel output – Output for even and odd blue pixels when in 1-pixel/clock mode. Output for even-only blue pixel when in 2-pixel per clock mode. Output data synchronizes to the output data clock, ODCK. LSB: QE0/pin 10 MSB: QE7/pin 17
RxC+	93	AI	Clock positive receiver input – Positive side of reference clock. TMDS low-voltage signal differential input pair
RxC–	94	AI	Clock negative receiver input – Negative side of reference clock. TMDS low-voltage signal differential input pair
Rx0+	90	AI	Channel-0 positive receiver input – Positive side of channel-0. TMDS low-voltage signal differential input pair. Channel-0 receives blue pixel data in active display and HSYNC, VSYNC control signals in blank.
Rx0–	91	AI	Channel-0 negative receiver input – Negative side of channel-0. TMDS low-voltage signal differential input pair
Rx1+	85	AI	Channel-1 positive receiver input – Positive side of channel-1 TMDS low-voltage signal differential input pair Channel-1 receives green-pixel data in active display and CTL1 control signals in blank.

PIN FUNCTIONS (continued)

PIN		I/O	DESCRIPTION
NAME	NO.		
Rx1-	86	AI	Channel-1 negative receiver input – Negative side of channel-1 TMDS low-voltage signal differential input pair
Rx2+	80	AI	Channel-2 positive receiver input – Positive side of channel-2 TMDS low-voltage signal differential input pair Channel-2 receives red-pixel data in active display and CTL2, CTL3 control signals in blank.
Rx2-	81	AI	Channel-2 negative receiver input – Negative side of channel-2 TMDS low-voltage signal differential input pair
SCDT	8	DO	Sync detect - Output to signal when the link is active or inactive. The link is active when DE is actively switching. The TFP401A-Q1 monitors the state of DE to determine link activity. SCDT can be tied externally to $\overline{P\overline{D}\overline{O}}$ to power down the output drivers when the link is inactive. High: Active link Low: Inactive link
ST	3	DI	Output drive strength select – Selects output drive strength for high- or low-current drive. (See dc specifications for I_{OH} and I_{OL} versus the ST state). High: High drive strength Low: Low drive strength
\overline{STAG}	7	DI	Staggered pixel select – An active-low signal used in the 2-pixel/clock pixel mode (PIXS = high). Time-staggeres the even and odd pixel outputs to reduce ground bounce. Normal operation outputs the odd and even pixels simultaneously. High: Normal simultaneous even-and-odd pixel output Low: Time-staggered even-and-odd pixel output
VSYNC	47	DO	Vertical sync output

TFP401A-Q1

SLDS190 – NOVEMBER 2012

www.ti.com

ABSOLUTE MAXIMUM RATINGS⁽¹⁾

over operating free-air temperature range (unless otherwise noted)

		MIN	MAX	UNIT
DV _{DD} , AV _{DD} , OV _{DD} , PV _{DD}	Supply-voltage range	-0.3	4	V
V _I	Input-voltage range, logic and analog signals	-0.3	4	V
Operating ambient temperature range		-40	85	°C
T _{stg}	Storage temperature range	-65	150	°C
Package power dissipation, PowerPAD package		Soldered ⁽²⁾		W
		Not soldered ⁽³⁾		
ESD rating	Human Body Model (HBM) AEC-Q100 Classification Level H2			2
	Charged Device Model (CDM) AEC-Q100 750 V Classification Level C3B			750

- (1) Stresses beyond those listed under *Absolute Maximum Ratings* may cause permanent damage to the device. These are stress ratings only, and functional operation of the device at these or any other conditions beyond those indicated under *Recommended Operating Conditions* is not implied. Exposure to absolute-maximum-rated conditions for extended periods may affect device reliability.
- (2) Specified with PowerPAD bond pad on the backside of the package soldered to a 2-oz. (0.071-mm thick) Cu plate PCB thermal plane. Specified at maximum allowed operating temperature, 70°C.
- (3) PowerPAD bond pad on the backside of the package is not soldered to a thermal plane. Specified at maximum allowed operating temperature, 70°C.

THERMAL INFORMATION

THERMAL METRIC ⁽¹⁾		TFP401A-Q1		UNIT
		PZP		
		100 PINS		
θ _{JA}	Junction-to-ambient thermal resistance	26		°C/W
θ _{JCtop}	Junction-to-case (top) thermal resistance	12.3		°C/W
θ _{JB}	Junction-to-board thermal resistance	7.3		°C/W
ψ _{JT}	Junction-to-top characterization parameter	0.3		°C/W
ψ _{JB}	Junction-to-board characterization parameter	7.2		°C/W
θ _{JCbot}	Junction-to-case (bottom) thermal resistance	1.6		°C/W

- (1) For more information about traditional and new thermal metrics, see the *IC Package Thermal Metrics* application report, [SPRA953](#).

RECOMMENDED OPERATING CONDITIONS

		MIN	NOM	MAX	UNIT
V _{DD} (DV _{DD} , AV _{DD} , PV _{DD} , OV _{DD})	Supply voltage	3	3.3	3.6	V
t _{pix} ⁽¹⁾	Pixel time	6.06		40	ns
R _t	Single-ended analog-input termination resistance	45	50	55	Ω
T _A	Operating free-air temperature	0	25	70	°C

- (1) t_{pix} is the pixel time defined as the period of the Rx/C clock input. The period of the output clock, ODCK is equal to t_{pix} when in 1-pixel/clock mode and 2t_{pix} when in 2-pixel/clock mode.

DC DIGITAL I/O ELECTRICAL CHARACTERISTICS

over operating free-air temperature range (unless otherwise noted)

PARAMETER		TEST CONDITIONS	MIN	TYP	MAX	UNIT
V _{IH}	High-level digital input voltage ⁽¹⁾		2		V _{DD}	V
V _{IL}	Low-level digital input voltage ⁽¹⁾		0		0.8	V
I _{OH}	High-level output drive current ⁽²⁾	ST = high, V _{OH} = 2.4 V	5	10	16.3	mA
		ST = low, V _{OH} = 2.4 V	3	6	10.3	
I _{OL}	Low-level output drive current ⁽²⁾	ST = high, V _{OL} = 0.8 V	8	13	19	mA
		ST = low, V _{OL} = 0.8 V	4	7	11	
I _{OZ}	Hi-Z output leakage current	\overline{PD} = low or \overline{PDO} = low	-1		1	μA

(1) Digital inputs are labeled DI in the I/O column of the Pin Functions table.

(2) Digital outputs are labeled DO in the I/O column of the Pin Functions table.

DC ELECTRICAL CHARACTERISTICS

over operating free-air temperature range (unless otherwise noted)

PARAMETER		TEST CONDITIONS	MIN	TYP	MAX	UNIT
V _{ID}	Analog-input differential voltage ⁽¹⁾		75		1200	mV
V _{IC}	Analog-input common-mode voltage ⁽¹⁾		AV _{DD} - 300		AV _{DD} - 37	mV
V _{I(OC)}	Open-circuit analog input voltage		AV _{DD} - 10		AV _{DD} + 10	mV
I _{DD(2PIX)}	Normal 2-pixel/clock power-supply current ⁽²⁾	ODCK = 82.5 MHz, 2-pix/clock			370	mA
I _{PD}	Power-down current ⁽³⁾	\overline{PD} = low			10	mA
I _{PDO}	Output-drive power-down current ⁽³⁾	\overline{PDO} = low		35		mA

(1) Specified as dc characteristic with no overshoot or undershoot

(2) Alternating 2-pixel black and 2-pixel white pattern. ST = high, \overline{STAG} = high, QE[23:0] and QO[23:0] C_L = 10 pF.

(3) Analog inputs are open-circuit (transmitter disconnected from TFP401A-Q1).

AC ELECTRICAL CHARACTERISTICS

over recommended operating free-air temperature range (unless otherwise noted)

PARAMETER		TEST CONDITIONS	MIN	TYP	MAX	UNIT
V _{ID(2)}	Differential input sensitivity ⁽¹⁾		150		1560	mV _{p-p}
t _{ps}	Analog input intra-pair (+ to -) differential skew ⁽²⁾				0.4	t _{bit} ⁽³⁾
t _{ccs}	Analog input inter-pair or channel-to-channel skew ⁽²⁾				1	t _{pix} ⁽⁴⁾
t _{jit}	Worst-case differential input clock jitter tolerance ⁽²⁾⁽⁵⁾		50			ps
t _{f1}	Fall time of data and control signals ⁽⁶⁾⁽⁷⁾	ST = low, C _L = 5 pF			2.4	ns
		ST = high, C _L = 10 pF			1.9	
t _{r1}	Rise time of data and control signals ⁽⁶⁾⁽⁷⁾	ST = low, C _L = 5 pF			2.4	ns
		ST = high, C _L = 10 pF			1.9	
t _{r2}	Rise time of ODCK clock ⁽⁶⁾	ST = low, C _L = 5 pF			2.4	ns
		ST = high, C _L = 10 pF			1.9	
t _{f2}	Fall time of ODCK clock ⁽⁶⁾	ST = low, C _L = 5 pF			2.4	ns
		ST = high, C _L = 10 pF			1.9	

(1) Specified as ac parameter to include sensitivity to overshoot, undershoot, and reflection

(2) By characterization

(3) t_{bit} is 1/10 the pixel time, t_{pix}.

(4) t_{pix} is the pixel time defined as the period of the RxC input clock. The period of ODCK is equal to t_{pix} in 1-pixel/clock mode or 2t_{pix} when in 2-pixel/clock mode.

(5) Measured differentially at 50% crossing using ODCK output clock as trigger

(6) Rise and fall times measured as time between 20% and 80% of signal amplitude

(7) Data and control signals are QE[23:0], QO[23:0], DE, HSYNC, VSYNC, and CTL[3:1].

AC ELECTRICAL CHARACTERISTICS (continued)

over recommended operating free-air temperature range (unless otherwise noted)

PARAMETER		TEST CONDITIONS	MIN	TYP	MAX	UNIT
t_{su1}	Setup time, data and control signal to falling edge of ODCK	1 pixel/clock, PIXS = low, OCK_INV = low	1.8			ns
		2 pixel/clock, PIXS = high, STAG = high, OCK_INV = low	3.8			
		2 pixel and STAG, PIXS = high, STAG = low, OCK_INV = low	0.6			
t_{h1}	Hold time, data and control signal to falling edge of ODCK	1 pixel/clock, PIXS = low, OCK_INV = low	0.6			ns
		2 pixel and STAG, PIXS = high, STAG = low, OCK_INV = low	2.5			
		2 pixel/clock, PIXS = high, STAG = high, OCK_INV = low	2.9			
t_{su2}	Setup time, data and control signal to rising edge of ODCK	1 pixel/clock, PIXS = low, OCK_INV = high	2.1			ns
		2 pixel/clock, PIXS = high, STAG = high, OCK_INV = high	4			
		2 pixel and STAG, PIXS = high, STAG = low, OCK_INV = high	1.5			
t_{h2}	Hold time, data and control signal to rising edge of ODCK	1 pixel/clock, PIXS = low, OCK_INV = high	0.3			ns
		2 pixel and STAG, PIXS = high, STAG = low, OCK_INV = high	2.4			
		2 pixel/clock, PIXS = high, STAG = high, OCK_INV = high	2.1			
f_{ODCK}	ODCK frequency	PIX = low (1-PIX/CLK)	25		165	MHz
		PIX = high (2-PIX/CLK)	12.5		82.5	
	ODCK duty-cycle		45%	60%	75%	
$t_{pd(PDL)}$	Propagation delay time from \overline{PD} low to Hi-Z outputs				9	ns
$t_{pd(PDOL)}$	Propagation delay time from \overline{PDO} low to Hi-Z outputs				9	ns
$t_{t(HSC)}$	Transition time between DE transition to SCDT low ⁽⁸⁾				1e6	t_{pix}
$t_{t(FSC)}$	Transition time between DE transition to SCDT high ⁽⁸⁾				1600	t_{pix}
$t_{d(st)}$	Delay time, ODCK latching edge to QE[23:0] data output	\overline{STAG} = low, PIXS = high			0.25	t_{pix}

(8) Amount of time detected between DE transitions determines whether link is active or inactive. SCDT indicates link activity.

PARAMETER MEASUREMENT INFORMATION

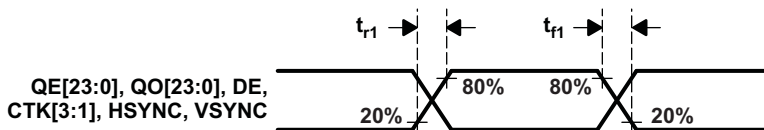


Figure 1. Rise and Fall Times of Data and Control Signals

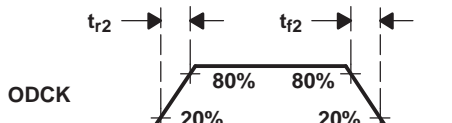


Figure 2. Rise and Fall Times of ODCK



Figure 3. ODCK Frequency

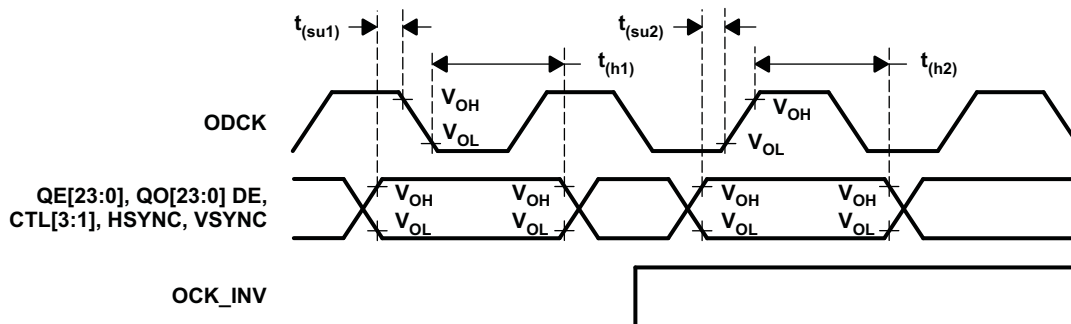


Figure 4. Data Setup and Hold Times to Rising and Falling Edges of ODCK

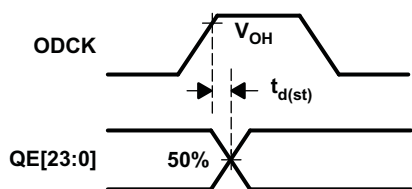


Figure 5. ODCK High to QE[23:0] Staggered Data Output

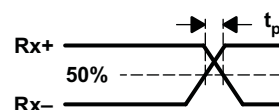


Figure 6. Analog Input Intra-Pair Differential Skew

PARAMETER MEASUREMENT INFORMATION (continued)

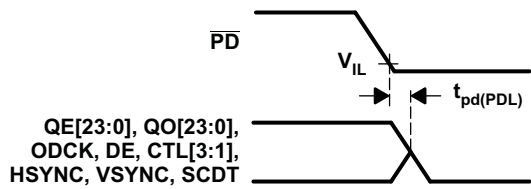


Figure 7. Delay From $\overline{\text{PD}}$ Low to Hi-Z Outputs

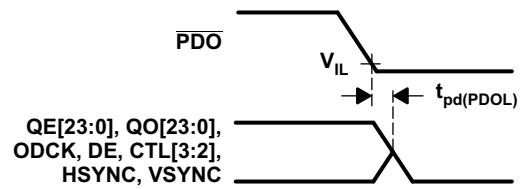


Figure 8. Delay From $\overline{\text{PDO}}$ Low to Hi-Z Outputs

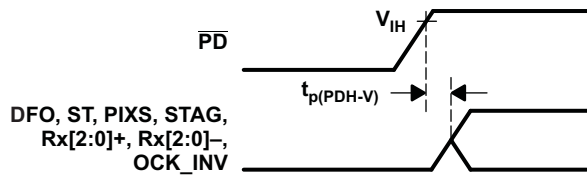


Figure 9. Delay From $\overline{\text{PD}}$ Low to High Before Inputs Are Active

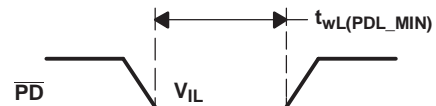


Figure 10. Minimum Time $\overline{\text{PD}}$ Low

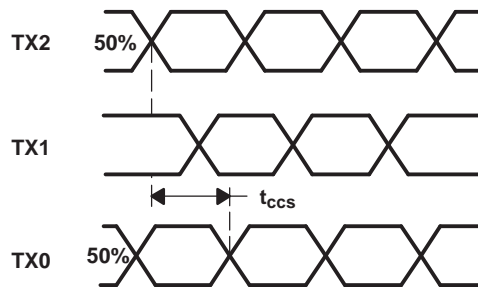


Figure 11. Analog Input Channel-to-Channel Skew

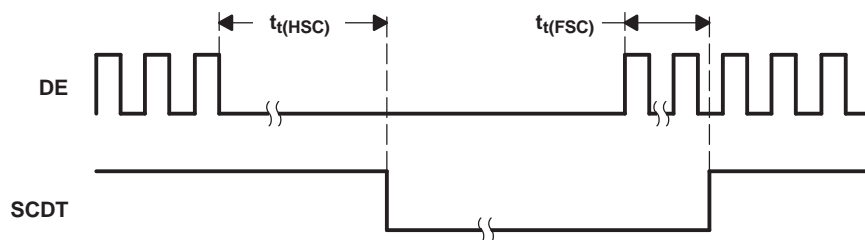


Figure 12. Time Between DE Transitions to SCDT Low and SCDT High

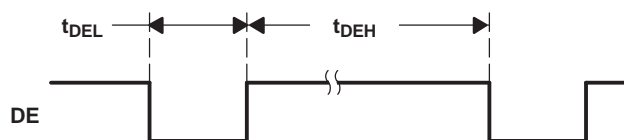


Figure 13. Minimum DE Low and Maximum DE High

DETAILED DESCRIPTION

FUNDAMENTAL OPERATION

The TFP401A-Q1 is a digital visual interface (DVI)-compliant TMDS digital receiver used in digital flat panel display systems to receive and decode TMDS-encoded RGB pixel data streams. In a digital display system, a host (usually a PC or workstation) contains a TMDS-compatible transmitter that receives 24-bit pixel data along with appropriate control signals. The host encodes the data and control signals into a high-speed low-voltage differential serial bit stream (fit for transmission over a twisted-pair cable) to a display device. The display device (usually a flat-panel monitor) requires a TMDS-compatible receiver like the TI TFP401A-Q1 to decode the serial bit stream back to the same 24-bit pixel data and control signals that originated at the host. This decoded data is then suitable for application directly to the flat-panel drive circuitry to produce an image on the display. Host and display separation distances can be up to 5 meters or more, making serial transmission of the pixel data preferable. Support of modern display resolutions up to UXGA requires a high-bandwidth receiver with good jitter and skew tolerance.

TMDS PIXEL DATA AND CONTROL SIGNAL ENCODING

The device transmits only one of two possible transition-minimized differential signaling (TMDS) characters for a given pixel at a given time. The transmitter keeps a running count of the number of ones and zeros previously sent, and transmits the character that minimizes the number of transitions to approximate a dc balance of the transmission line.

Reception of RGB pixel data during active display time uses three TMDS channels, DE = high. The same three channels also receive control signals, HSYNC, VSYNC, and user-defined control signals CTL[3:1]. Reception of these control signals occurs during inactive display or blanking-time. Blanking-time is when DE = low. The following table maps the received input data to the appropriate TMDS input channel in a DVI-compliant system.

RECEIVED PIXEL DATA ACTIVE DISPLAY DE = HIGH	INPUT CHANNEL	OUTPUT PINS (VALID FOR DE = HIGH)
Red[7:0]	Channel-2 (Rx2 ±)	QE[23:16] QO[23:16]
Green[7:0]	Channel-1 (Rx1 ±)	QE[15:8] QO[15:8]
Blue[7:0]	Channel-0 (Rx0 ±)	QE[7:0] QO[7:0]
RECEIVED CONTROL DATA BLANKING DE = LOW	INPUT CHANNEL	OUTPUT PINS (VALID FOR DE = LOW)
CTL[3:2]	Channel-2 (Rx2 ±)	CTL[3:2]
CTL[1: 0] ⁽¹⁾	Channel-1 (Rx1 ±)	CTL1
HSYNC, VSYNC	Channel-0 (Rx0 ±)	HSYNC, VSYNC

(1) Some TMDS transmitters transmit a CTL0 signal. The TFP401A-Q1 decodes and transfers CTL[3:1] and ignores CTL0 characters. CTL0 is not available as a TFP401A-Q1 output.

The TFP401A-Q1 discriminates between valid pixel TMDS characters and control TMDS characters to determine the state of active display versus blanking, in effect, the state of DE.

TFP401A-Q1 CLOCKING AND DATA SYNCHRONIZATION

The TFP401A-Q1 receives a clock reference from the DVI transmitter that has a period equal to the pixel time, t_{pix} . Another name for the frequency of this clock is the pixel rate. Because the TMDS encoded data on Rx[2:0] contains 10 bits per 8-bit pixel, it follows that the Rx[2:0] serial bit rate is 10 times the pixel rate. For example, the required pixel rate to support a UXGA resolution with 60-Hz refresh rate is 165 MHz. The TMDS serial bit rate is 10x the pixel rate, or 1.65 Gb/s. Due to the transmission of this high-speed digital bit stream, on three separate channels (or twisted-pair wires) of long distances (3–5 meters), there is no assurance of phase synchronization between the data streams and the input reference clock. In addition, skew between the three data channels is common. The TFP401A-Q1 uses a 4x oversampling scheme of the input data streams to achieve reliable synchronization with up to $1-t_{pix}$ channel-to-channel skew tolerance. Accumulated jitter on the clock and data lines due to reflections and external noise sources is also typical of high-speed serial data transmission; hence, the TFP401A-Q1 design for high jitter tolerance.

TFP401A-Q1

SLDS190 – NOVEMBER 2012

www.ti.com

A phase-locked loop (PLL) conditions the input clock of the TFP401A-Q1 to remove high-frequency jitter from the clock. The PLL provides four 10x clock outputs of different phase to locate and sync the TMDS data streams (4x oversampling). During active display, the pixel data encoding is for transition minimization, whereas in blank, the control data encoding is for transition maximization. Transmitting in blank for a minimum period of time, $128 t_{pix}$, requires a DVI-compliant transmitter to ensure sufficient time for data synchronization when the receiver sees a transition-maximized code. Synchronization during blank, when the data is transition-maximized, ensures reliable data-bit boundary detection. Phase synchronization to the data streams, maintained as long as the link remains active, is unique for each of the three input channels.

TFP401A-Q1 TMDS INPUT LEVELS AND INPUT IMPEDANCE MATCHING

The TMDS inputs to the TFP401A-Q1 receiver have a fixed single-ended termination to AV_{DD} . A laser trim process internally optimizes the TFP401A-Q1 to fix the impedance precisely at 50Ω . The device functions normally with or without a resistor on the EXT_RES pin, so it remains drop-in compatible with current sockets. The fixed impedance eliminates the need for an external resistor while providing optimum impedance matching to standard 50- Ω DVI cables.

Figure 14 shows a conceptual schematic of a DVI transmitter and TFP401A-Q1 receiver connection. A transmitter drives the twisted-pair cable through a current source, usually using an open-drain type output driver. The internal resistor, matched to the cable impedance at the TFP401A-Q1 input, provides a pullup to AV_{DD} . Naturally, with the transmitter disconnected and the TFP401A-Q1 DVI inputs left unconnected, the TFP401A-Q1 receiver inputs pull up to AV_{DD} . Figure 15 shows the single-ended differential signal and full-differential signal. The designed of the TFP401A-Q1 is for response to differential signal swings ranging from 150 mV to 1.56 V, with common-mode voltages ranging from $(AV_{DD} - 300 \text{ mV})$ to $(AV_{DD} - 37 \text{ mV})$.

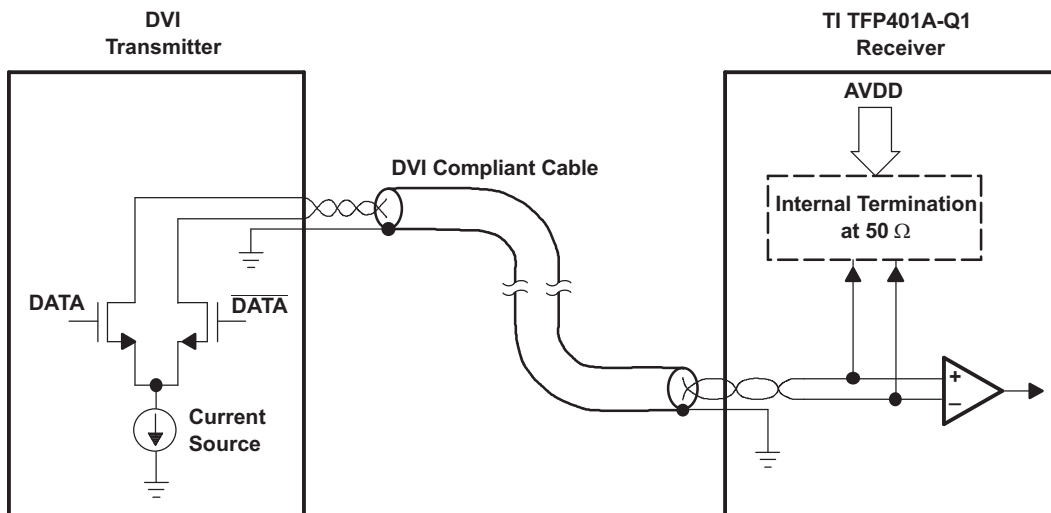


Figure 14. TMDS Differential Input and Transmitter Connection

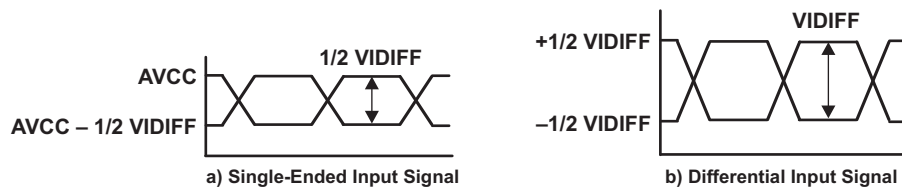


Figure 15. TMDS Inputs

TFP401A-Q1 INCORPORATES HSYNC JITTER IMMUNITY

Several DVI transmitters available in the market introduce jitter on the transmitted HSYNC and VSYNC signals during the TMDS encryption process. The HSYNC signal can shift by one pixel position (one clock) from nominal in either direction, resulting in up to two cycles of HSYNC shift. This jitter carries through to the DVI receiver, and if the position of HSYNC shifts continuously, the receiver can lose track of the input timing, causing pixel noise to occur on the display. For this reason, one should use a DVI-compliant receiver with HSYNC jitter immunity in all displays that could be connected to host PCs with transmitters that have this HSYNC jitter problem.

The TFP401A-Q1 integrates HSYNC regeneration circuitry that provides a seamless interface to these noncompliant transmitters. The regeneration circuitry always fixes the position of the data enable (DE) signal in relation to data, irrespective of the location of HSYNC. The TFP401A-Q1 receiver uses the DE and clock signals to recreate stable vertical and horizontal sync signals. The circuit filters the HSYNC output of the receiver and shifts HSYNC to the nearest eighth bit boundary, producing a stable output with respect to the data, as shown in Figure 16. This ensures accurate data synchronization at the input of the display timing controller.

This HSYNC regeneration circuit is transparent to the monitor, and removal is unnecessary even if the transmitted HSYNC is stable. For example, the *PanelBus* line of DVI 1.0-compliant transmitters, such as the TFP6422 and TFP420, do not have the HSYNC jitter problem. The TFP401A-Q1 operates correctly with either compliant or noncompliant transmitters. In contrast, the TFP401A-Q1 is ideal for customers who have control over the transmit portion of the design, such as bundled system manufacturers and for internal monitor use (the DVI connection between monitor and panel modules).

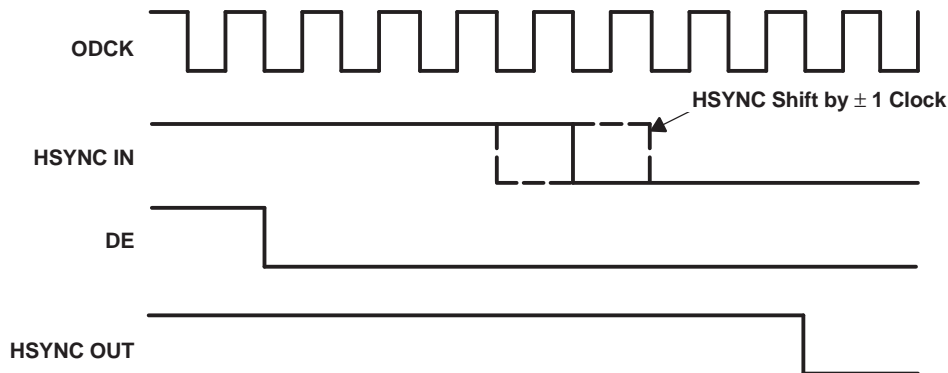


Figure 16. HSYNC Regeneration Timing Diagram

TFP401A-Q1 MODES OF OPERATION

The TFP401A-Q1 provides system design flexibility and value by providing the system designer with configurable options or modes of operation to support varying system architectures. The following table outlines the various supportable panel modes, along with appropriate external control pin settings.

PANEL	PIXEL RATE	ODCK LATCH EDGE	ODCK	DFO	PIXS	OCK_INV
TFT or 16-bit DSTN	1 pix/clock	Falling	Free run	0	0	0
TFT or 16-bit DSTN	1 pix/clock	Rising	Free run	0	0	1
TFT	2 pix/clock	Falling	Free run	0	1	0
TFT	2 pix/clock	Rising	Free run	0	1	1
24-bit DSTN	1 pix/clock	Falling	Gated low	1	0	0
NONE	1 pix/clock	Rising	Gated low	1	0	1
24-bit DSTN	2 pix/clock	Falling	Gated low	1	1	0
24-bit DSTN	2 pix/clock	Rising	Gated low	1	1	1

TFP401A-Q1 OUTPUT DRIVER CONFIGURATIONS

The TFP401A-Q1 provides flexibility by offering various output driver features for use to optimize power consumption, ground bounce, and power-supply noise. The following sections outline the output driver features and their effects.

TFP401A-Q1

SLDS190 – NOVEMBER 2012

www.ti.com

Output Driver Power Down ($\overline{\text{PDO}} = \text{low}$): Pulling $\overline{\text{PDO}}$ low places all the output drivers, except CTL1 and SCDT, into a high-impedance state. One can tie the SCDT output, which indicates link-disabled or link-inactive, directly to the $\overline{\text{PDO}}$ input to disable the output drivers when the link is inactive or when the cable is disconnected. An internal pullup on the $\overline{\text{PDO}}$ pin defaults the TFP401A-Q1 to the normal nonpower-down output-drive mode if left unconnected.

Drive Strength (ST = high for high drive strength, ST = low for low drive strength): The TFP401A-Q1 allows for selectable output drive strength on the data, control, and ODCK outputs. See the *DC Electrical Characteristics* table for the values of I_{OH} and I_{OL} current drives for a given ST state. The high output-drive strength offers approximately two times the drive as the low-output drive strength.

Time-Staggered Pixel Output: This option works only in conjunction with the 2-pixel/clock mode (PIXS = high). Setting STAG = low time-staggeres the even- and odd-pixel outputs so as to reduce the amount of instantaneous current surge from the power supply. Depending on the PCB layout and design, this can help reduce the amount of system ground bounce and power-supply noise. The time stagger is such that in 2-pixel/clock mode, the even pixel is delayed from the latching edge of ODCK by $0.25 t_{\text{cip}}$. (t_{cip} is the period of ODCK. The ODCK period is $2 t_{\text{pix}}$ when in 2-pixel/clock mode.)

Depending on system constraints of output load, pixel rate, panel input architecture, and board cost, the TFP401A-Q1 drive-strength and staggered-pixel options allow flexibility to reduce system power-supply noise, ground bounce, and EMI.

Power Management: The TFP401A-Q1 offers several system power-management features.

The output driver power down ($\overline{\text{PDO}} = \text{low}$) is an intermediate mode which offers several uses. During this mode, all output drivers except SCDT and CTL1 go into a high-impedance state while the rest of the device circuitry remains active.

The TFP401A-Q1 power down ($\overline{\text{PD}} = \text{low}$) is a complete power down in that it powers down the digital core, the analog circuitry, and output drivers. All output drivers go into a Hi-Z state. Of all the inputs, only $\overline{\text{PD}}$ remains active. The TFP401A-Q1 does not respond to any digital or analog inputs until $\overline{\text{PD}}$ is pulled high.

Both $\overline{\text{PDO}}$ and $\overline{\text{PD}}$ have internal pullups, so if left unconnected they default the TFP401A-Q1 to normal operating modes.

Sync Detect: The TFP401A-Q1 offers an output, SCDT, to indicate link activity. The TFP401A-Q1 monitors activity on DE to determine if the link is active. When 1 million (1e6) pixel clock periods pass without a transition on DE, the TFP401A-Q1 considers the link inactive, and drives SCDT low. While SCDT is low, if two DE transitions are detected within 1600 pixel clock periods, the device considers the link active and pulls SCDT high.

A use of SCDT is to signal a system power management circuit to initiate a system power down when the device considers the link inactive. One can also tie the SCDT directly to the TFP401A-Q1 $\overline{\text{PDO}}$ input to power down the output drivers when the link is inactive. It is not recommended to use SCDT to drive the $\overline{\text{PD}}$ input, because once in complete power-down, the analog inputs are ignored and the SCDT state does not change. An external system power-management circuit to drive $\overline{\text{PD}}$ is preferred.

TI PowerPAD™ 100-TQFP PACKAGE

The TFP401A-Q1 comes in TI's thermally enhanced PowerPAD 100-TQFP package. The PowerPAD package is a 14-mm × 14-mm × 1-mm TQFP outline with 0.5-mm lead pitch. The PowerPAD package has a specially designed die mount pad that offers improved thermal capability over typical TQFP packages of the same outline. The TI 100-TQFP PowerPAD package offers a back-side solder plane that connects directly to the die mount pad for enhanced thermal conduction. There is no thermal requirement for soldering the back side of the TFP401A-Q1 to the application board, because the device power dissipation is well within the package capability when not soldered.

Soldering the back side of the device to the PCB ground plane is recommended for electrical considerations. Connection of the PowerPAD back side to a PCB ground plane helps to improve EMI, ground bounce, and power-supply noise performance, because the die pad is electrically connected to the chip substrate and hence to chip ground.

Table 1 outlines the thermal properties of the TI 100-TQFP PowerPAD package. The 100-TQFP non-PowerPAD package is included only for reference.

Table 1. TI 100-TQFP (14 mm × 14 mm × 1 mm) With 0.5-mm Lead Pitch

PARAMETER	WITHOUT PowerPAD™ Package	PowerPAD™ Package, NOT CONNECTED TO PCB THERMAL PLANE	PowerPAD™ Package, CONNECTED TO PCB THERMAL PLANE ⁽¹⁾
Theta-JA ^{(1) (2)}	45°C/W	27.3°C/W	17.3°C/W
Theta-JC ⁽¹⁾⁽²⁾	3.11°C/W	0.12°C/W	0.12°C/W
Maximum power dissipation ⁽¹⁾⁽²⁾⁽³⁾	1.6 W	2.7 W	4.3 W

(1) Specified with 2-oz. (0.071 mm thick) Cu PCB plating

(2) Airflow is at 0 LFM (0 m/s) (no airflow).

(3) Measured at ambient temperature, $T_A = 70^\circ\text{C}$

PACKAGING INFORMATION

Orderable Device	Status (1)	Package Type	Package Drawing	Pins	Package Qty	Eco Plan (2)	Lead/Ball Finish	MSL Peak Temp (3)	Op Temp (°C)	Top-Side Markings (4)	Samples
TFP401AIPZPRQ1	ACTIVE	HTQFP	PZP	100	900	Green (RoHS & no Sb/Br)	CU NIPDAU	Level-3-260C-168 HR	-40 to 85	TFP401AI	Samples

(1) The marketing status values are defined as follows:

ACTIVE: Product device recommended for new designs.

LIFEBUY: TI has announced that the device will be discontinued, and a lifetime-buy period is in effect.

NRND: Not recommended for new designs. Device is in production to support existing customers, but TI does not recommend using this part in a new design.

PREVIEW: Device has been announced but is not in production. Samples may or may not be available.

OBSOLETE: TI has discontinued the production of the device.

(2) Eco Plan - The planned eco-friendly classification: Pb-Free (RoHS), Pb-Free (RoHS Exempt), or Green (RoHS & no Sb/Br) - please check <http://www.ti.com/productcontent> for the latest availability information and additional product content details.

TBD: The Pb-Free/Green conversion plan has not been defined.

Pb-Free (RoHS): TI's terms "Lead-Free" or "Pb-Free" mean semiconductor products that are compatible with the current RoHS requirements for all 6 substances, including the requirement that lead not exceed 0.1% by weight in homogeneous materials. Where designed to be soldered at high temperatures, TI Pb-Free products are suitable for use in specified lead-free processes.

Pb-Free (RoHS Exempt): This component has a RoHS exemption for either 1) lead-based flip-chip solder bumps used between the die and package, or 2) lead-based die adhesive used between the die and leadframe. The component is otherwise considered Pb-Free (RoHS compatible) as defined above.

Green (RoHS & no Sb/Br): TI defines "Green" to mean Pb-Free (RoHS compatible), and free of Bromine (Br) and Antimony (Sb) based flame retardants (Br or Sb do not exceed 0.1% by weight in homogeneous material)

(3) MSL, Peak Temp. -- The Moisture Sensitivity Level rating according to the JEDEC industry standard classifications, and peak solder temperature.

(4) Only one of markings shown within the brackets will appear on the physical device.

Important Information and Disclaimer: The information provided on this page represents TI's knowledge and belief as of the date that it is provided. TI bases its knowledge and belief on information provided by third parties, and makes no representation or warranty as to the accuracy of such information. Efforts are underway to better integrate information from third parties. TI has taken and continues to take reasonable steps to provide representative and accurate information but may not have conducted destructive testing or chemical analysis on incoming materials and chemicals. TI and TI suppliers consider certain information to be proprietary, and thus CAS numbers and other limited information may not be available for release.

In no event shall TI's liability arising out of such information exceed the total purchase price of the TI part(s) at issue in this document sold by TI to Customer on an annual basis.

OTHER QUALIFIED VERSIONS OF TFP401A-Q1 :

● Catalog: [TFP401A](#)

● Enhanced Product: [TFP401A-EP](#)

NOTE: Qualified Version Definitions:

- Catalog - TI's standard catalog product
- Enhanced Product - Supports Defense, Aerospace and Medical Applications

TAPE AND REEL INFORMATION



QUADRANT ASSIGNMENTS FOR PIN 1 ORIENTATION IN TAPE



*All dimensions are nominal

Device	Package Type	Package Drawing	Pins	SPQ	Reel Diameter (mm)	Reel Width W1 (mm)	A0 (mm)	B0 (mm)	K0 (mm)	P1 (mm)	W (mm)	Pin1 Quadrant
TFP401AIPZPRQ1	HTQFP	PZP	100	900	330.0	24.4	17.0	17.0	1.5	20.0	24.0	Q2

TAPE AND REEL BOX DIMENSIONS



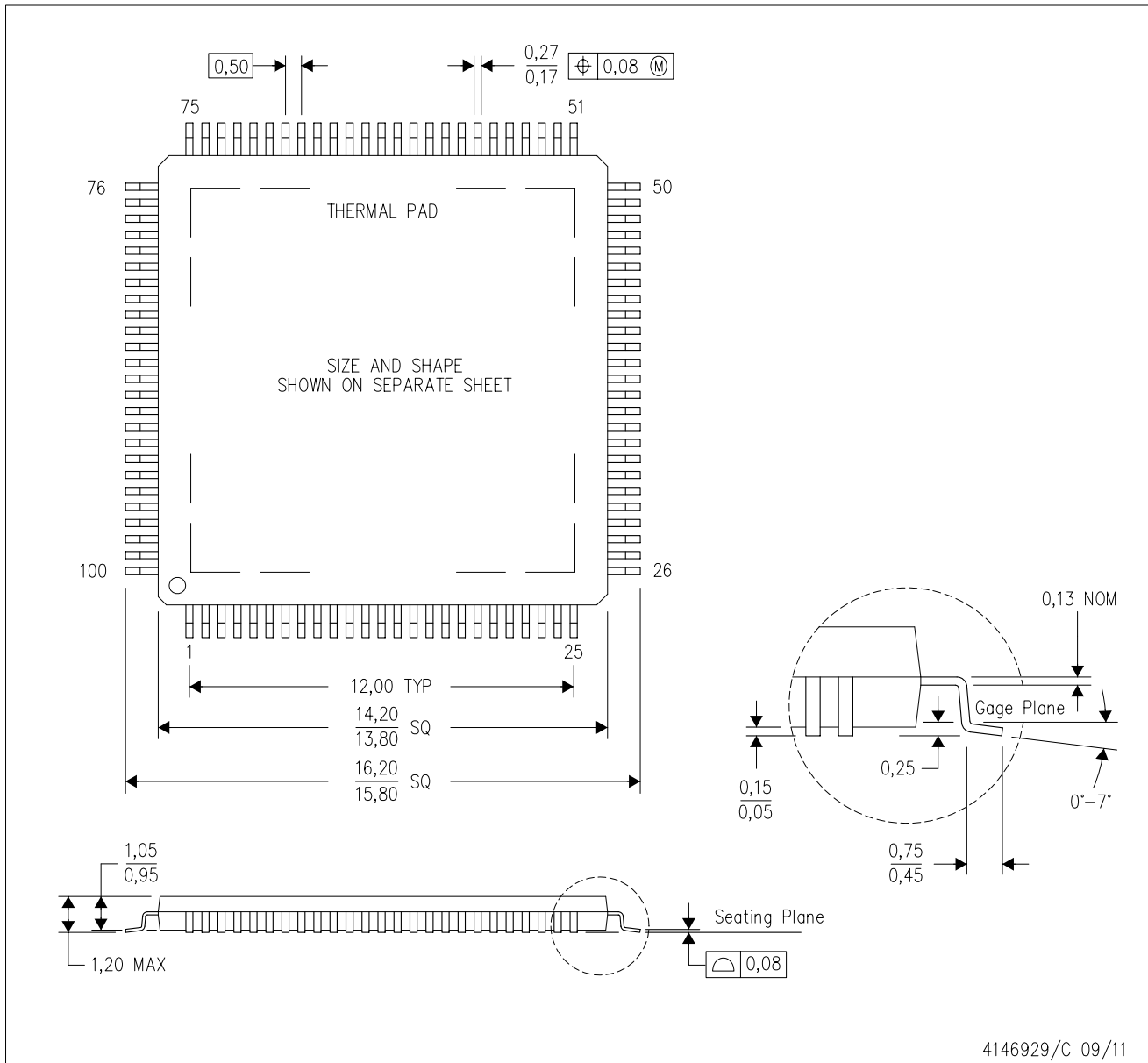
*All dimensions are nominal

Device	Package Type	Package Drawing	Pins	SPQ	Length (mm)	Width (mm)	Height (mm)
TFP401AIPZPRQ1	HTQFP	PZP	100	900	367.0	367.0	45.0

MECHANICAL DATA

PZP (S-PQFP-G100)

PowerPAD™ PLASTIC QUAD FLATPACK



- NOTES:
- A. All linear dimensions are in millimeters.
 - B. This drawing is subject to change without notice.
 - C. Body dimensions do not include mold flash or protrusion
 - D. This package is designed to be soldered to a thermal pad on the board. Refer to Technical Brief, PowerPad Thermally Enhanced Package, Texas Instruments Literature No. SLMA002 for information regarding recommended board layout. This document is available at www.ti.com <<http://www.ti.com>>.
 - E. See the additional figure in the Product Data Sheet for details regarding the exposed thermal pad features and dimensions.
 - F. Falls within JEDEC MS-026

PowerPAD is a trademark of Texas Instruments.

PZP (S-PQFP-G100)

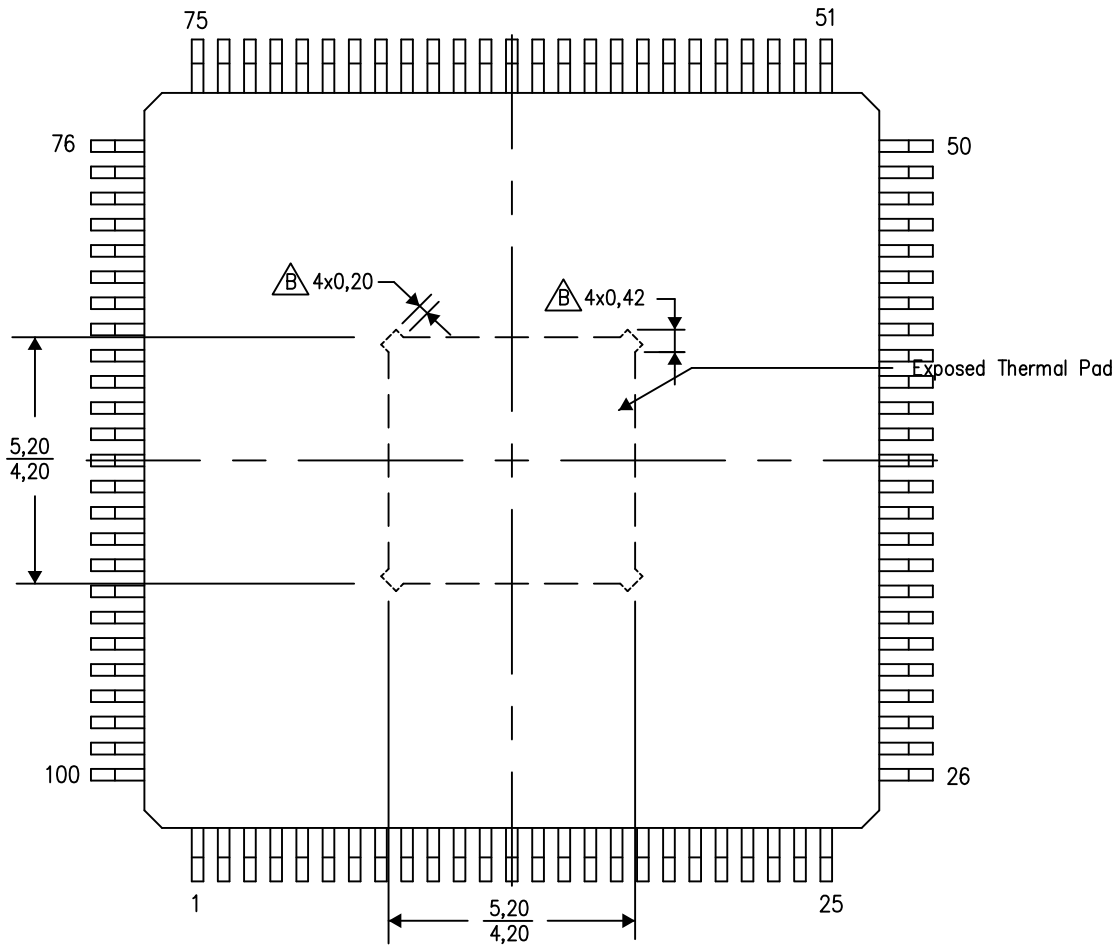
PowerPAD™ PLASTIC QUAD FLATPACK

THERMAL INFORMATION

This PowerPAD™ package incorporates an exposed thermal pad that is designed to be attached to a printed circuit board (PCB). The thermal pad must be soldered directly to the PCB. After soldering, the PCB can be used as a heatsink. In addition, through the use of thermal vias, the thermal pad can be attached directly to the appropriate copper plane shown in the electrical schematic for the device, or alternatively, can be attached to a special heatsink structure designed into the PCB. This design optimizes the heat transfer from the integrated circuit (IC).

For additional information on the PowerPAD package and how to take advantage of its heat dissipating abilities, refer to Technical Brief, PowerPAD Thermally Enhanced Package, Texas Instruments Literature No. SLMA002 and Application Brief, PowerPAD Made Easy, Texas Instruments Literature No. SLMA004. Both documents are available at www.ti.com.

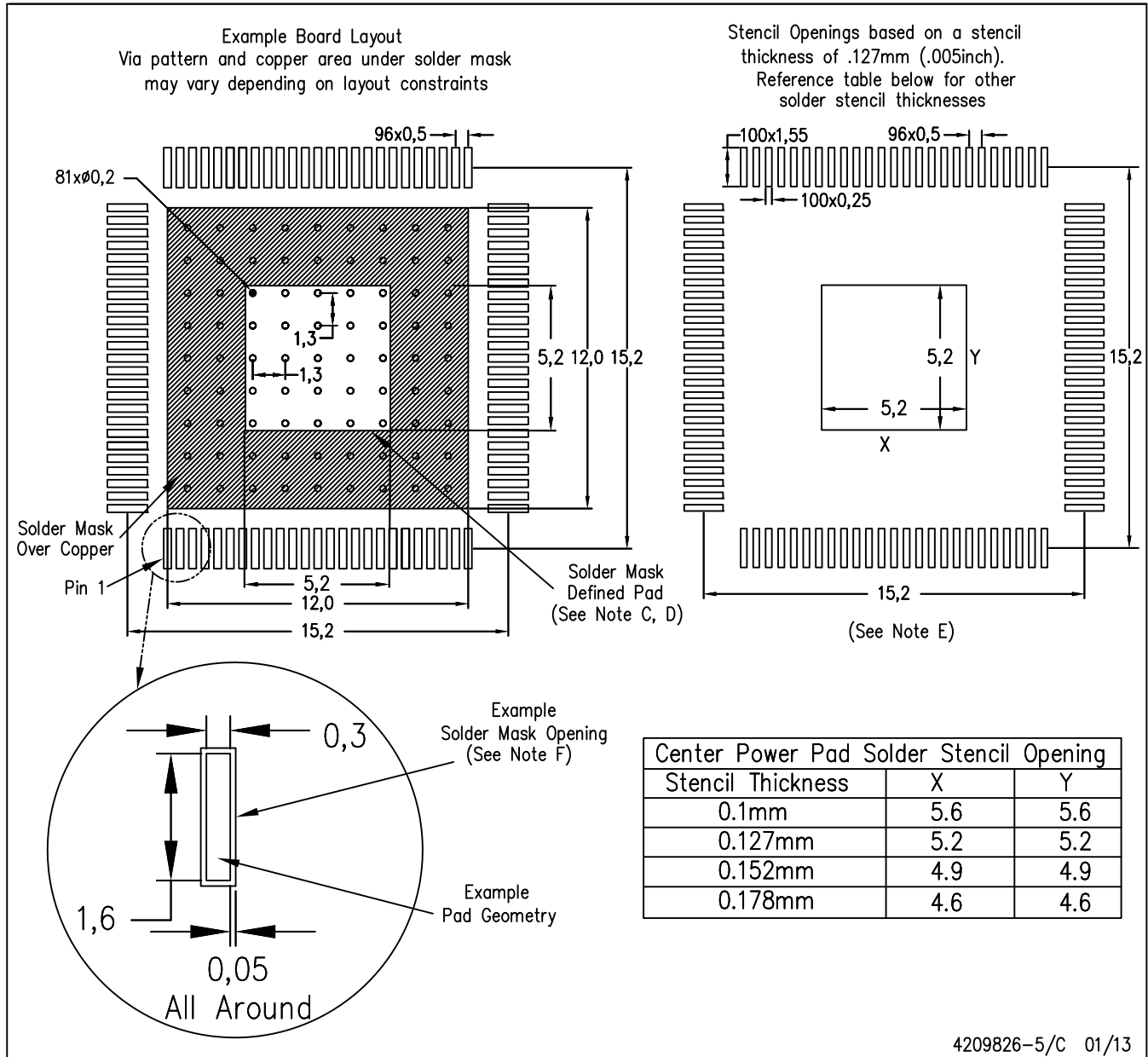
The exposed thermal pad dimensions for this package are shown in the following illustration.



4206333-2/1 12/12

NOTE: A. All linear dimensions are in millimeters

 Tie strap features may not be present.



4209826-5/C 01/13

- NOTES:
- A. All linear dimensions are in millimeters.
 - B. This drawing is subject to change without notice.
 - C. Customers should place a note on the circuit board fabrication drawing not to alter the center solder mask defined pad.
 - D. This package is designed to be soldered to a thermal pad on the board. Refer to Technical Brief, PowerPad Thermally Enhanced Package, Texas Instruments Literature No. SLMA002, SLMA004, and also the Product Data Sheets for specific thermal information, via requirements, and recommended board layout. These documents are available at www.ti.com <<http://www.ti.com>>. Publication IPC-7351 is recommended for alternate designs.
 - E. Laser cutting apertures with trapezoidal walls and also rounding corners will offer better paste release. Customers should contact their board assembly site for stencil design recommendations. Example stencil design based on a 50% volumetric metal load solder paste. Refer to IPC-7525 for other stencil recommendations.
 - F. Customers should contact their board fabrication site for solder mask tolerances between and around signal pads.

PowerPAD is a trademark of Texas Instruments.

IMPORTANT NOTICE

Texas Instruments Incorporated and its subsidiaries (TI) reserve the right to make corrections, enhancements, improvements and other changes to its semiconductor products and services per JESD46, latest issue, and to discontinue any product or service per JESD48, latest issue. Buyers should obtain the latest relevant information before placing orders and should verify that such information is current and complete. All semiconductor products (also referred to herein as "components") are sold subject to TI's terms and conditions of sale supplied at the time of order acknowledgment.

TI warrants performance of its components to the specifications applicable at the time of sale, in accordance with the warranty in TI's terms and conditions of sale of semiconductor products. Testing and other quality control techniques are used to the extent TI deems necessary to support this warranty. Except where mandated by applicable law, testing of all parameters of each component is not necessarily performed.

TI assumes no liability for applications assistance or the design of Buyers' products. Buyers are responsible for their products and applications using TI components. To minimize the risks associated with Buyers' products and applications, Buyers should provide adequate design and operating safeguards.

TI does not warrant or represent that any license, either express or implied, is granted under any patent right, copyright, mask work right, or other intellectual property right relating to any combination, machine, or process in which TI components or services are used. Information published by TI regarding third-party products or services does not constitute a license to use such products or services or a warranty or endorsement thereof. Use of such information may require a license from a third party under the patents or other intellectual property of the third party, or a license from TI under the patents or other intellectual property of TI.

Reproduction of significant portions of TI information in TI data books or data sheets is permissible only if reproduction is without alteration and is accompanied by all associated warranties, conditions, limitations, and notices. TI is not responsible or liable for such altered documentation. Information of third parties may be subject to additional restrictions.

Resale of TI components or services with statements different from or beyond the parameters stated by TI for that component or service voids all express and any implied warranties for the associated TI component or service and is an unfair and deceptive business practice. TI is not responsible or liable for any such statements.

Buyer acknowledges and agrees that it is solely responsible for compliance with all legal, regulatory and safety-related requirements concerning its products, and any use of TI components in its applications, notwithstanding any applications-related information or support that may be provided by TI. Buyer represents and agrees that it has all the necessary expertise to create and implement safeguards which anticipate dangerous consequences of failures, monitor failures and their consequences, lessen the likelihood of failures that might cause harm and take appropriate remedial actions. Buyer will fully indemnify TI and its representatives against any damages arising out of the use of any TI components in safety-critical applications.

In some cases, TI components may be promoted specifically to facilitate safety-related applications. With such components, TI's goal is to help enable customers to design and create their own end-product solutions that meet applicable functional safety standards and requirements. Nonetheless, such components are subject to these terms.

No TI components are authorized for use in FDA Class III (or similar life-critical medical equipment) unless authorized officers of the parties have executed a special agreement specifically governing such use.

Only those TI components which TI has specifically designated as military grade or "enhanced plastic" are designed and intended for use in military/aerospace applications or environments. Buyer acknowledges and agrees that any military or aerospace use of TI components which have **not** been so designated is solely at the Buyer's risk, and that Buyer is solely responsible for compliance with all legal and regulatory requirements in connection with such use.

TI has specifically designated certain components as meeting ISO/TS16949 requirements, mainly for automotive use. In any case of use of non-designated products, TI will not be responsible for any failure to meet ISO/TS16949.

Products

Audio	www.ti.com/audio
Amplifiers	amplifier.ti.com
Data Converters	dataconverter.ti.com
DLP® Products	www.dlp.com
DSP	dsp.ti.com
Clocks and Timers	www.ti.com/clocks
Interface	interface.ti.com
Logic	logic.ti.com
Power Mgmt	power.ti.com
Microcontrollers	microcontroller.ti.com
RFID	www.ti-rfid.com
OMAP Applications Processors	www.ti.com/omap
Wireless Connectivity	www.ti.com/wirelessconnectivity

Applications

Automotive and Transportation	www.ti.com/automotive
Communications and Telecom	www.ti.com/communications
Computers and Peripherals	www.ti.com/computers
Consumer Electronics	www.ti.com/consumer-apps
Energy and Lighting	www.ti.com/energy
Industrial	www.ti.com/industrial
Medical	www.ti.com/medical
Security	www.ti.com/security
Space, Avionics and Defense	www.ti.com/space-avionics-defense
Video and Imaging	www.ti.com/video

TI E2E Community

e2e.ti.com