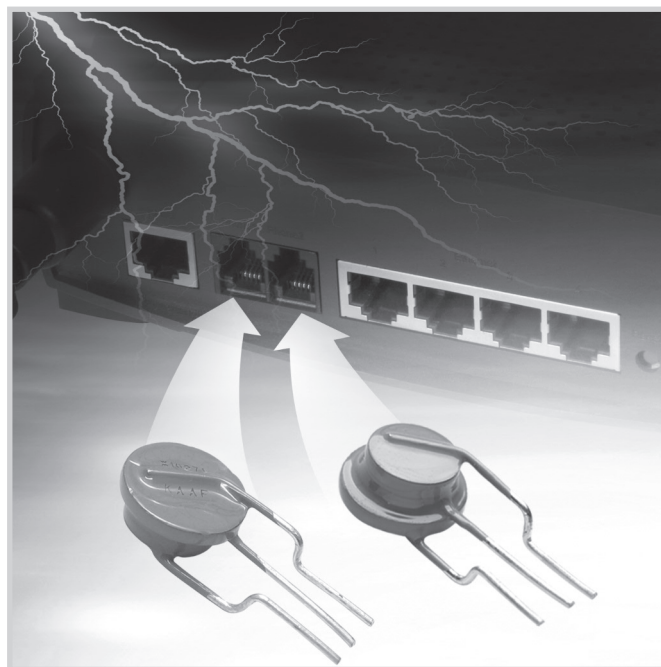


2Pro Devices

The 2Pro product is an integrated overcurrent/over-voltage protection device. The RoHS-compliant component incorporates PolySwitch PPTC (Polymeric Positive Temperature Coefficient) technology and MOV (Metal Oxide Varistor) technology in a single device to help reduce board space requirements and component count.

Damage to telephony communications equipment can be caused by various sources including lightning, electrostatic discharge (ESD), power contact and induction with AC lines. The 2Pro TM2P-10271 devices help provide current limiting during overcurrent events and voltage clamping during overvoltage events. After a fault condition is removed and power is cycled, 2Pro devices will reset so that the equipment remains operational.



The 2Pro device helps address the need for resettable circuit protection devices for use in cost-sensitive PSTN (Public Switched Telephone Network) and VoIP (Voice over Internet Protocol) telephony equipment. The widespread use of VoIP gateways in homes and enterprise environments as the primary means of voice delivery requires the utmost safety and reliability in equipment. 2Pro circuit protection devices help manufacturers comply with global safety standards, including UL 60950, TIA-968-A, IEC 60950 and ITU-T K.20/K.21. The UL 497A listed protector also helps provide ESD protection.

Benefits

- Single device helps reduce component count and footprint
- Helps reduce warranty returns
- Helps equipment comply with surge tests per: TIA-968-A, IEC 60950, ITU-T K.20/K.21
- Helps simplify UL 60950 testing
- Helps equipment comply with UL 60950

Applications

- Cordless telephones
- VoIP gateways
- Fax machines
- Data modems

Features

- RoHS compliant
- Halogen free
(refers to: Br≤900ppm, Cl≤900ppm, Br+Cl≤1500ppm)
- Single overcurrent, overvoltage and ESD protection device
- Resettable overcurrent protection
- UL 497A listed protector (#E258475)

- Set-top boxes
- Security systems
- MDF modules
- Analog and ISDN linecards

Table 2P1 Electrical Characteristics for 2Pro Devices

Overcurrent (terminals 1 – 2) — Performance ratings @ 20°C

Part Number	I _{HOLD} (A)	I _{TRIP} (A)	Resistance [†] (Ω)			Time-to-Trip (s) [†]	
			R _{MIN}	R _{MAX}	R _{1 MAX*}	Typ	Max
TM2P-10271	0.15	0.30	6.50	14.00	16.00	0.90	3.00 (@1A)
LVM2P-015R10431	0.15	0.30	6.50	14.00	16.00	0.90	3.00 (@1A)
NEW LVM2P-035R14431	0.35	0.75	1.40	2.20	2.80	0.50	2.00 (@3A)
NEW LVM2P-075R14431	0.75	1.50	0.37	0.80	1.00	0.90	1.20 (@7A)

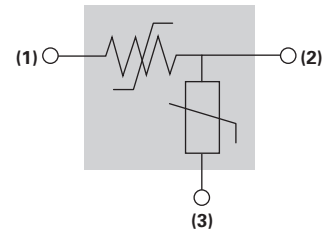
Overvoltage (Terminals 2 – 3)

Part Number	Varistor Voltage V @ 1mA		DC Resistance @ 100V (MΩ)	Maximum Clamping (V)	Rated Wattage (W)
	DC (V)	Tolerance			
TM2P-10271	260	+14% -7%	>10	455 (@25A)	0.25
LVM2P-015R10431	430	+10% -10%	>10	710 (@ 25A)	0.25
NEW LVM2P-035R14431	430	+10% -10%	>10	710 (@ 50A)	0.60
NEW LVM2P-075R14431	430	+10% -10%	>10	710 (@ 50A)	1.00

* Maximum device resistance at 20°C measured 1 hour post trip.

† Corresponds to operation below varistor voltages.

Electrical Schematic



6

Table 2P2 Dimensions for 2Pro Devices in Millimeters and (Inches*)

Part Number	A		B		C		D		E	F		Figure
	Min	Max	Min	Max	Min	Max	Min	Max	Nom	Min	Max	
TM2P-10271												
mm	—	12.0	—	15.0	—	6.6	6.0	—	2.5	—	12.0	2P1
in*	—	(0.47)	—	(0.59)	—	(0.26)	(0.24)	—	(0.10)	—	(0.47)	
LVM2P-015R10431												
mm	—	12.0	—	17.0	—	7.4	8.5	11.5	5.1			2P2
in*	—	(0.47)	—	(0.67)	—	(0.29)	(0.34)	(0.45)	(0.20)			
NEW LVM2P-035R14431												
mm	—	16.0	—	21.0	—	7.4	3.0	5.0	5.1			2P2
in*	—	(0.63)	—	(0.83)	—	(0.29)	(0.12)	(0.20)	(0.20)			
NEW LVM2P-075R14431												
mm	—	16.0	—	21.0	—	7.4	3.0	5.0	2.5			2P3
in*	—	(0.63)	—	(0.83)	—	(0.29)	(0.12)	(0.20)	(0.10)			

* The dimensions in inches are rounded approximations.

Figure 2P1-2P3 Dimension Figures for 2Pro Devices

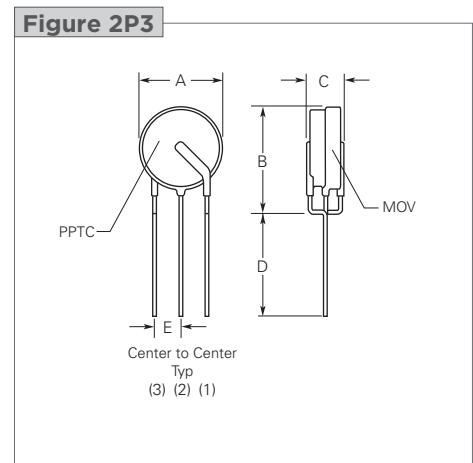
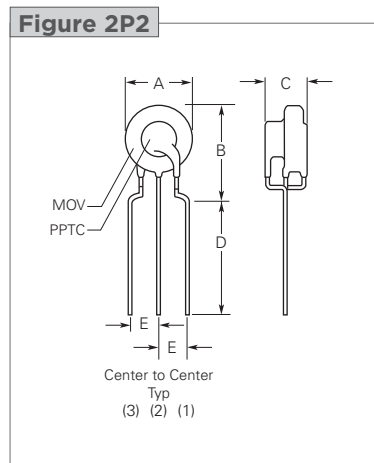
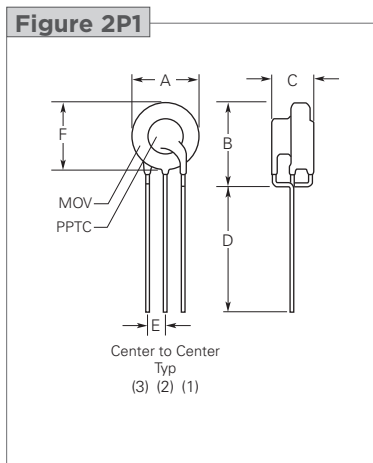
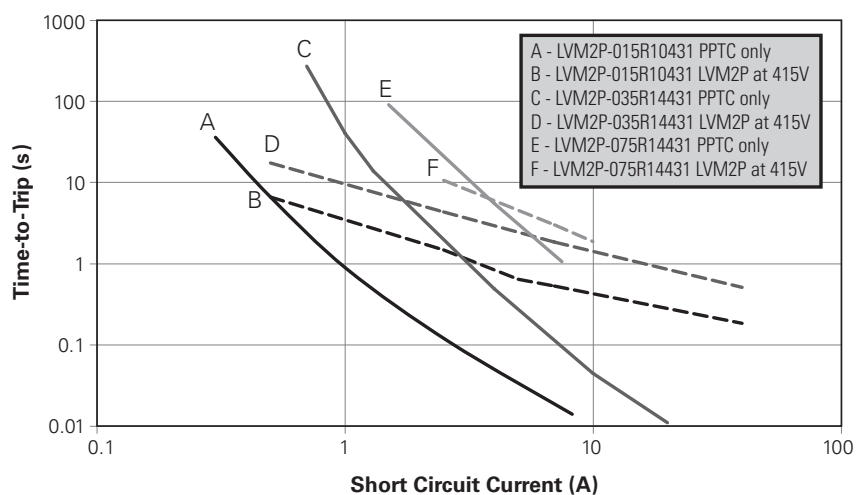


Figure 2P4 Typical Time-to-Trip at 25°C for 2Pro Devices

Table 2P3 Physical Characteristics and Environmental Specifications for 2Pro Devices
Physical Characteristics

Lead Material	Tin-plated Copper, 0.33mm ² (22AWG), 0.64mm (0.025in)
Flammability	IEC 695-2-2 Needle Flame Test for 20s
Soldering Characteristics	ANSI Approved IPC/EIA/JEDEC J-STD-002, Category 3
Solder Heat Withstand	per IEC-STD 68-2-20, Test Tb, Method1A, Condition B, can withstand 10 Seconds at 260°C ± 5°C

Environmental Specifications

Test	Conditions
Passive Aging	60°C, 1000 Hours / 85°C, 1000 Hours
Humidity Aging	85°C, 85% RH, 500 Hours
Active Aging	60°C, 90% RH, 60VDC Bias, 1000 Hours
Thermal Shock	125°C, -55°C (10 Times)
Solvent Resistance	MIL-STD-202, Method 215K

Note: Storage conditions: 40°C max, 70% RH max, devices should remain in original sealed bag prior to use. Devices may not meet specified values if these storage conditions are exceeded.

Table 2P4 Packaging and Marking Information for 2Pro Devices

Part Number	Bag Quantity	Tape and Reel Quantity	Standard Package	Part Marking	Agency Recognition
TM2P-10271	500	-	10,000	1027 & Batch #	UL 497A/File No. E258475
TM2P-10271-2	-	1,000	5,000	1027 & Batch #	UL 497A/File No. E258475
LVM2P-015R10431	500	-	10,000	C431 & Batch #	MOV UL 1449/File No. E332226 PPTC UL 1434/File No. E74889
NEW LVM2P-035R14431	250	-	5,000	A431 & Batch #	
NEW LVM2P-075R14431	250	-	5,000	B431 & Batch #	

Table 2P5 Ordering Information for 2Pro Devices

Bulk	250/500	pieces/bag
	5,000/10,000	pieces/box
Tape & Reel	1,000	pieces/reel
	5,000	pieces/box

Wave Soldering and Rework Recommendations for 2Pro Devices

Recommended Wave Soldering for Radial-leaded Devices

- Soldering temperature profile (Temperature characteristic at component terminal with dual wave soldering)

Rework

- If a device is removed from the board, it should be discarded and replaced with a new device

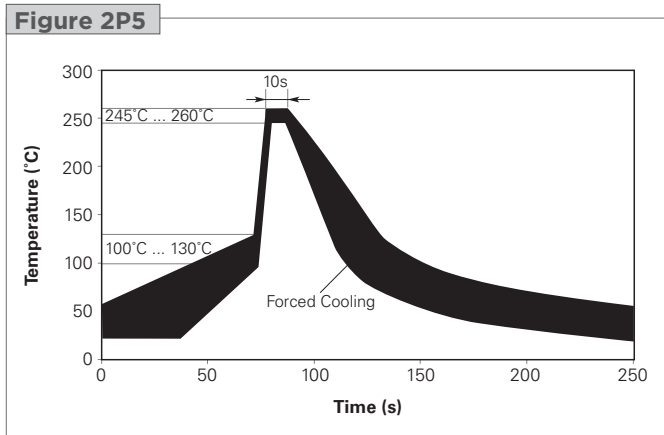


Table 2P6 Tape and Reel Specifications for 2Pro Devices in Millimeters (mm)

2Pro devices are available in tape and reel packaging per EIA 468-B standard. See Figures 2P6 and 2P7 for details.

Description	EIA Mark	IEC Mark	Dimension (mm)	Tolerance
Carrier Tape Width	W	W	18	-0.5/ +1.0
Hold Down Tape Width	W ₄	W ₀	5	Min
Top Distance Between Tape Edges	W ₆	W ₂	3	Max
Sprocket Hole Position	W ₅	W ₁	9	-0.5/ +0.75
Sprocket Hole Diameter	D ₀	D ₀	4	±0.2
Abcissa to Plane (Kinked Lead)*	H ₀	H ₀	16	-0.5/0.6
Abcissa to Top	H ₁	H ₁	32.2	Max
Overall Width with Lead Protrusion	-	C ₁	43.2	Max
Overall Width Without Lead Protrusion	-	C ₂	42.5	Max
Lead Protrusion	L ₁	I ₁	1.0	Max
Protrusion of Cut-out	L	L	11	Max
Protrusion Beyond Hold Down Tape	I ₂	I ₂	Not Specified	-
Sprocket Hole Pitch	P ₀	P ₀	12.7	±0.3
Pitch Tolerance	-	-	20 Consecutive	±1
Tape Thickness	t	t	0.9	Max
Tape Thickness with Splice*	t ₁	-	2.0	Max
Splice Sprocket Hole Alignment	-	-	0	±0.3
Body Lateral Deviation	Δh	Δh	0	±0.1
Body Tape Plane Deviation	Δp	Δp	0	±1.3
Ordinate to Component Center Lead	P ₂	P ₂	6.35	±0.7
Lead Spacing*	F ₁ , F ₂	F ₁ , F ₂	2.54	-0.1/+0.4
Reel Width	w ₂	w	56	Max
Reel Diameter	a	d	370	Max
Space Between Flanges	w ₁	-	51.2	Max
Arbor Hole Diameter	c	f	26	±12.0
Core Diameter	n	h	80	Max
Box	-	-	56/372/372	Max
Consecutive Missing Pieces*	-	-	3 Max	-
Empty Places Per Reel*	-	-	Not Specified	-

Note: *Differs from EIA specification.

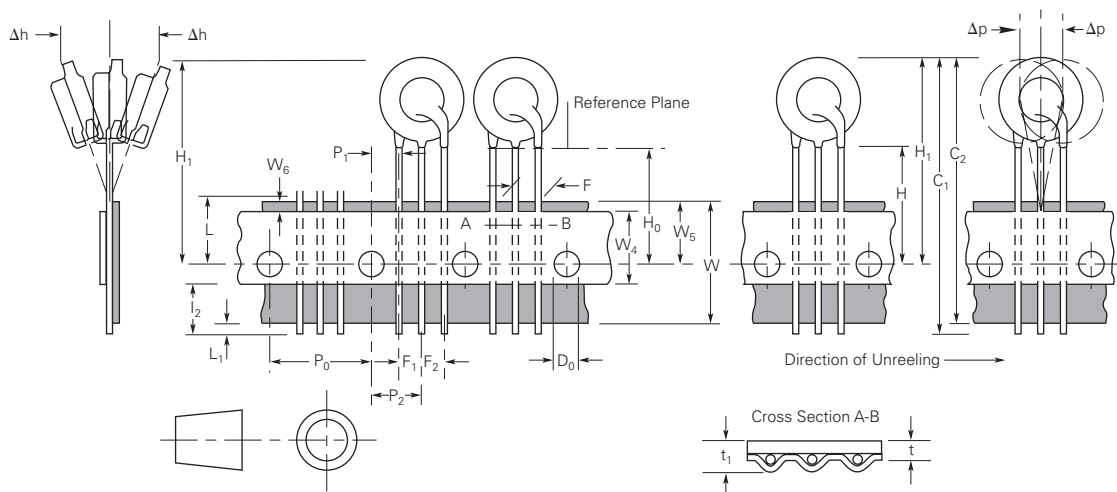
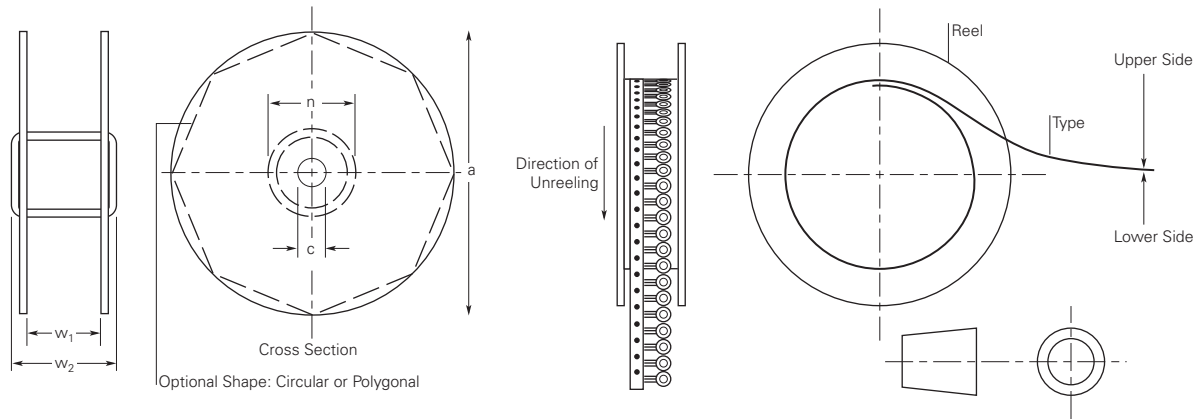
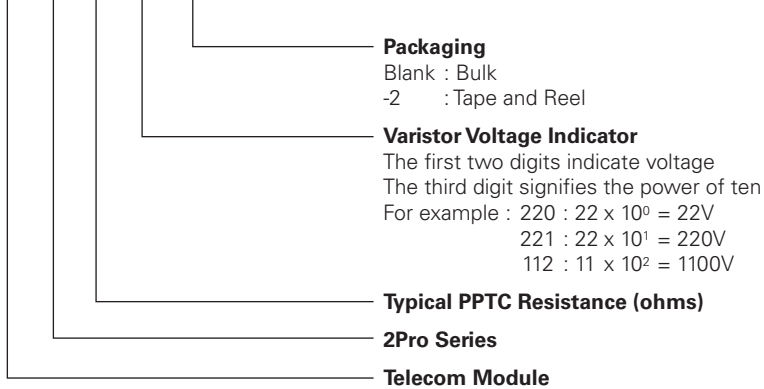
Figure 2P6 EIA Referenced Taped Component Dimensions for 2Pro Devices


Figure 2P7 EIA Referenced Reel Dimensions for 2Pro Devices

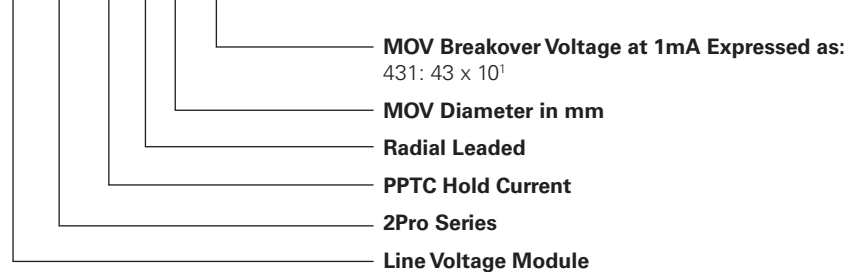


Part Numbering System for 2Pro Devices

TM 2P - 10 271 -2



LVM 2P - 015 R 10 431



Notice:

Information furnished is believed to be accurate and reliable. However, users should independently evaluate the suitability and test each product selected for their own applications. Tyco Electronics Corporation and its affiliates in the TE Connectivity Ltd. Group of companies ("TE") reserves the right to change or update, without notice, any information contained in this publication; to change, without notice, the design, construction, processing, or specification of any product; and to discontinue or limit production or distribution of any product. This publication supersedes and replaces all information previously supplied. Without express written consent by an officer of TE, TE does not authorize the use of any of its products as components in nuclear facility applications, aerospace, or in critical life support devices or systems. TE expressly disclaims all implied warranties regarding the information contained herein, including, but not limited to, any implied warranties of merchantability or fitness for a particular purpose. TE's only obligations are those in the TE Standard Terms and Conditions of Sale and in no case will TE be liable for an incidental, indirect, or consequential damages arising from the sale, resale, use, or misuse of its products.